

RENEWAL PARTS

IC2800-Y104 CONTACTORS

FORMS A, B, D, F, AA, AB,
AC, AD, AE, AF

NOTE:—When ordering parts for a form of the contactor not covered by this bulletin, give reference number, description of part, complete nameplate reading, and above bulletin (GEF) number. Do not use catalog number when form for which the parts are needed is not covered by the bulletin.

OPERATING COILS, PICK-UP RESISTORS, RECTIFIERS, AND AUXILIARY CONTACTORS FOR IC2800-Y104 CONTACTORS

NOTE: The number following the form letters in the IC Designation identifies the Operating Coils, Pick-up Resistors, Rectifiers, and Auxiliary Contactors. Each must be ordered separately from the table below.

EXAMPLE: IC2800-Y104-A-16B requires coil number 16, Cat. No. 22D136G15A, Pick-up Resistor A100G5EA-TH, Rectifier IC3500A403C2, and Auxiliary Contactor CR2810A14AC2.

Coil No.	Coil Catalog No.	No. Req'd	Pick-up Resistor	No. Req'd	Rectifier	No. Req'd	†Auxiliary Contactor	No. Req'd
2	22D136G2A	1	-----	-	-----	-	-----	-
2	22D136G2A	2	A100G125EA-TH	1	IC3500A403C8	1	{ CR2810A14AC5 *CR2810A14AC6	1 1
3	22D136G3A	1	-----	-	-----	-	-----	-
4	22D136G4A	1	-----	-	-----	-	-----	-
5	22D136G5A	1	-----	-	-----	-	-----	-
6	22D136G6A	1	-----	-	-----	-	-----	-
7	22D136G7A	1	-----	-	-----	-	-----	-
8	22D136G8A	1	-----	-	-----	-	-----	-
9	22D136G9A	1	-----	-	-----	-	-----	-
10	22D136G10A	1	-----	-	-----	-	-----	-
11	22D136G12A	1	-----	-	-----	-	-----	-
12	22D136G13A	1	-----	-	-----	-	-----	-
13	22D136G11A	1	-----	-	-----	-	-----	-
14	22D76G9	1	-----	-	-----	-	-----	-
15	22D136G14A	1	-----	-	-----	-	-----	-
15	22D136G14A	2	A100G75EA-TH	1	IC3500A403C5	1	CR2810A14AC4	1
15	22D136G14A	1	-----	-	IC3500A403C6	1	CR2810A14AC3	1
16	22D136G15A	1	-----	-	-----	-	-----	-
16	22D136G15A	2	A100G5EA-TH	1	IC3500A403C2	1	CR2810A14AC2	1
17	22D136G16A	1	-----	-	-----	-	-----	-
18	22D136G17A	1	-----	-	-----	-	-----	-
19	22D136G2A	1	-----	-	-----	-	-----	-
20	22D136G18	1	-----	-	-----	-	-----	-
21	22D136G19A	1	-----	-	-----	-	-----	-
22	22D136G2A	1	-----	-	-----	-	-----	-
23	22D136G3A	1	-----	-	-----	-	-----	-
24	22D136G12A	1	-----	-	-----	-	-----	-
25	22D136G23A	1	-----	-	-----	-	-----	-
27	22D136G27A	1	-----	-	-----	-	-----	-
27	22D136G27A	1	A100G10EA-TH	1	IC3500A403C2	1	CR2810A14AC2	1
27	22D136G27A	2	A100G25EA-TH	1	IC3500A403C6	1	CR2810A14AC3	1
28	22D136G21A	1	-----	-	-----	-	-----	-
28	22D136G21A	1	A100G500EA-TH	1	IC3500A403C5	1	CR2810A14AC4	1
28	22D136G21A	1	A100G1000EA-TH	1	IC3500A403C8	1	{ CR2810A14AC5 *CR2810A14AC6	1 1
29	22D136G26A	1	-----	-	-----	-	-----	-

* For 600-volt application

† For parts of auxiliary contactor, refer to GEF-4210

When ordering renewal parts, give quantity, catalog number, description of each item required, and complete nameplate reading.



IC2800-Y104 CONTACTORS

PARTS RECOMMENDED FOR NORMAL STOCK

Ref. No.	Fig. No.	Quantity Required for IC2800-Y104-										Catalog Number	Description
		A	B	D	F	AA	AB	AC	AD	AE	AF		
1	1	†	†	†	†	†	†	†	†	†	†	-----	Operating coil (see table on page 1) Set of interlock contacts, springs, and screws (see tables on pages 2 and 3)
-	*	†	†	†	†	†	†	†	†	†	†	-----	
25	1	1	1	1	1	1	1	-	1	1	1	8690980P1	Movable contact
25	1	-	-	-	-	-	-	1	-	-	-	9034003G1	Movable contact
26	1	1	1	1	1	1	1	1	1	1	1	9034639G1	Shunt for movable contact
29	1	1	1	1	1	1	1	1	1	1	1	2414864P1	Compression spring for movable contact
31	2	1	1	1	1	1	1	-	1	1	1	8617100	Stationary contact
31	2	-	-	-	-	-	-	1	-	-	-	9034003G2	Stationary contact
43	2	1	-	1	1	1	1	1	1	1	1	9004331P1	Arc chute side, right-hand
44	2	1	-	1	1	1	1	1	1	1	1	9004332P1	Arc chute side, left-hand

* Not shown
† Quantity variable

ELECTRICAL INTERLOCKS

NOTE: The interlock is identified by the letter following the coil number in the IC designation.

EXAMPLE: IC2800-Y104-A-2-B requires interlock letter B, Cat. No. IC2956A200C.

FORMS A, B, D, F, AA, AB, AC, AD, AE, AF)

Interlock Letter	Interlock Switch Unit		* Set of Interlock Contacts	Interlock Mounting Kit
	Left-hand	Right-hand		
	Cat. No.	Cat. No.	Cat. No.	Cat. No.
B	IC2956A200C	-----	69 600 53 G3	IC2956A203 F
C	IC2956A200A	-----	69 600 53 G3	IC2956A203 F
D	IC2956A200B	-----	69 600 53 G3	IC2956A203 F
E	-----	IC2956A200C	69 600 53 G3	IC2956A203 F
F	-----	IC2956A200A	69 600 53 G3	IC2956A203 F
G	-----	IC2956A200B	69 600 53 G3	IC2956A203 F
H	IC2956A200A	IC2956A200A	69 600 53 G3	IC2956A203 F
J	IC2956A200B	IC2956A200B	{ †69 600 53 G3	{ †IC2956A203 F
K	IC2956A200C	IC2956A200C	{ †69 600 53 G3	{ †IC2956A203 F
L	IC2956A200C	IC2956A200A	{ †69 600 53 G3	{ †IC2956A203 F
M	IC2956A200C	IC2956A200B	{ †69 600 53 G3	{ †IC2956A203 F
N	-----	IC2956A200AJ	{ †69 600 53 G3	{ †IC2956A203 F
P	-----	IC2956A200AH	69 600 53 G3	IC2956A203 E
R	-----	IC2956A200AK	69 600 53 G3	IC2956A203 E
S	IC2956A200A	IC2956A200C	{ †69 600 53 G3	{ †IC2956A203 E
T	IC2956A200AJ	IC2956A200AJ	{ †69 600 53 G3	{ †IC2956A203 F
AB	IC2956A200AC	-----	{ †69 600 53 G3	{ †IC2956A203 F
AC	IC2956A200AA	-----	69 600 53 G22	IC2956A203 F
AD	IC2956A200AB	-----	69 600 53 G22	IC2956A203 F
AE	-----	IC2956A200AC	69 600 53 G22	IC2956A203 F
AF	-----	IC2956A200AA	69 600 53 G22	IC2956A203 F
AG	-----	IC2956A200AB	69 600 53 G22	IC2956A203 F
AH	IC2956A200AA	IC2956A200AA	69 600 53 G22	IC2956A203 F
AJ	IC2956A200AB	IC2956A200AB	{ †69 600 53 G22	{ †IC2956A203 F
AK	IC2956A200AC	IC2956A200AC	{ †69 600 53 G22	{ †IC2956A203 F

* Includes movable and stationary contacts with springs and contact holding screws
† Left side
‡ Right side

IC2800-Y104 CONTACTORS

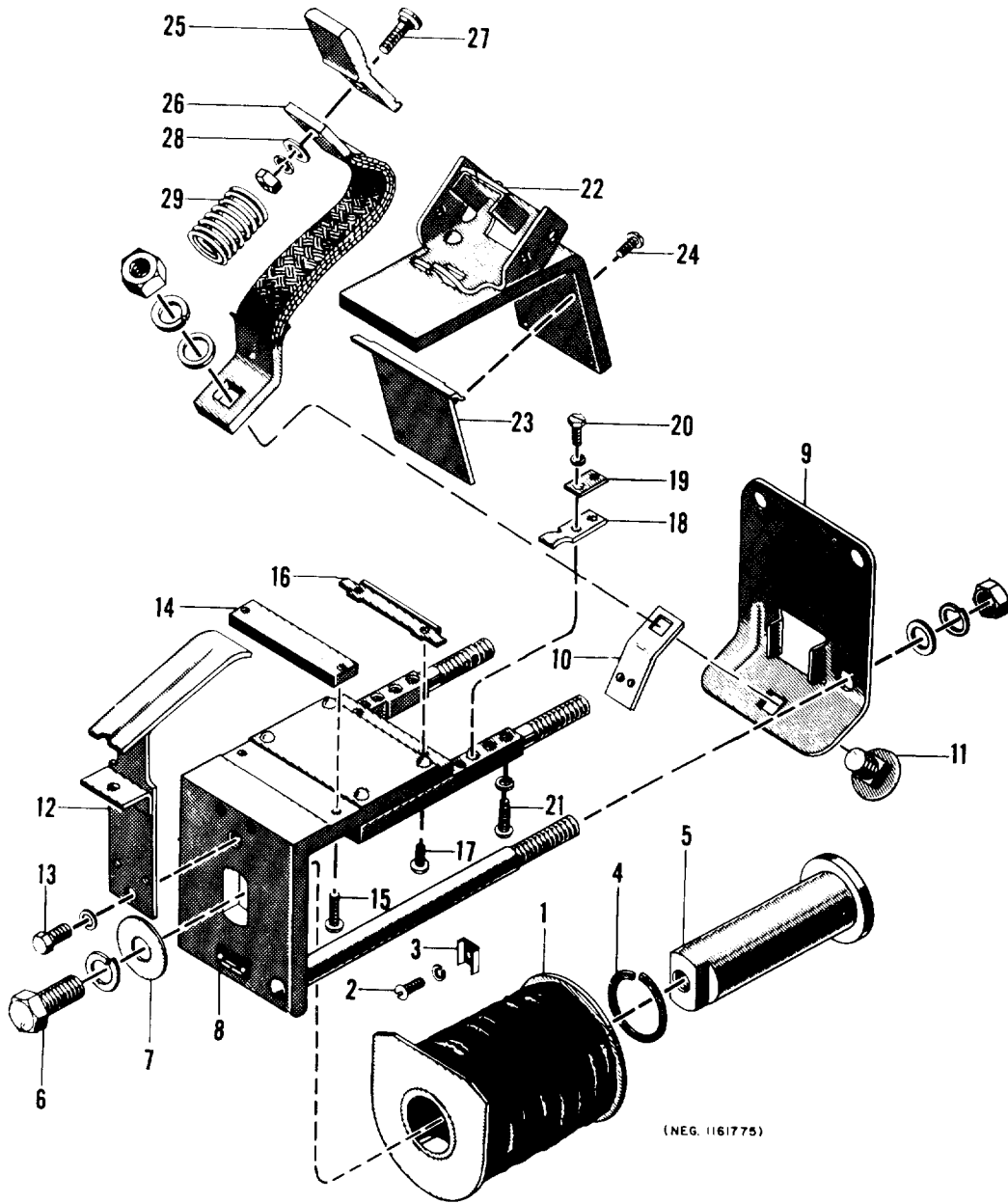
GEF-4124A

ELECTRICAL INTERLOCKS (CONT'D) (FORMS A, B, D, F, AA, AB, AC, AD, AE, AF)

Interlock Letter	Interlock Switch Unit		* Set of Interlock Contacts	Interlock Mounting Kit
	Left-hand	Right-hand		
	Cat. No.	Cat. No.	Cat. No.	Cat. No.
AL	IC2956A200AC	IC2956A200AA	{†6960053G22 ‡6960053G22	{†IC2956A203F ‡IC2956A203F
AM	IC2956A200AC	IC2956A200AB	{†6960053G22 ‡6960053G22	{†IC2956A203F ‡IC2956A203F
AN	IC2956A200AA	IC2956A200AC	{†6960053G22 ‡6960053G22	{†IC2956A203F ‡IC2956A203F
BB	IC2956A200A	IC2956A200AA	{†6960053G3 ‡6960053G22	{†IC2956A203F ‡IC2956A203F
BC	IC2956A200A	IC2956A200AC	{†6960053G3 ‡6960053G22	{†IC2956A203F ‡IC2956A203F
BD	IC2956A200A	IC2956A200AB	{†6960053G3 ‡6960053G22	{†IC2956A203F ‡IC2956A203F
BE	IC2956A200C	IC2956A200AA	{†6960053G3 ‡6960053G22	{†IC2956A203F ‡IC2956A203F
BF	IC2956A200C	IC2956A200AC	{†6960053G3 ‡6960053G22	{†IC2956A203F ‡IC2956A203F
BG	IC2956A200C	IC2956A200AB	{†6960053G3 ‡6960053G22	{†IC2956A203F ‡IC2956A203F
BH	IC2956A200B	IC2956A200AA	{†6960053G3 ‡6960053G22	{†IC2956A203F ‡IC2956A203F
BJ	IC2956A200B	IC2956A200AC	{†6960053G3 ‡6960053G22	{†IC2956A203F ‡IC2956A203F
BK	IC2956A200B	IC2956A200AB	{†6960053G3 ‡6960053G22	{†IC2956A203F ‡IC2956A203F
CB	IC2956A205C	-----	6960053G46	IC2956A203F
CC	IC2956A205A	-----	6960053G46	IC2956A203F
CD	IC2956A205B	-----	6960053G46	IC2956A203F
CE	-----	IC2956A205C	6960053G46	IC2956A203F
CF	-----	IC2956A205A	6960053G46	IC2956A203F
CG	-----	IC2956A205B	6960053G46	IC2956A203F
CH	IC2956A205A	IC2956A205A	{†6960053G46 ‡6960053G46	{†IC2956A203F ‡IC2956A203F
CJ	IC2956A205B	IC2956A205B	{†6960053G46 ‡6960053G46	{†IC2956A203F ‡IC2956A203F
CK	IC2956A205C	IC2956A205C	{†6960053G46 ‡6960053G46	{†IC2956A203F ‡IC2956A203F
CL	IC2956A205C	IC2956A205A	{†6960053G46 ‡6960053G46	{†IC2956A203F ‡IC2956A203F
CM	IC2956A205C	IC2956A205B	{†6960053G46 ‡6960053G46	{†IC2956A203F ‡IC2956A203F
DB	IC2956A200A	IC2956A205A	{†6960053G3 ‡6960053G46	{†IC2956A203F ‡IC2956A203F
DC	IC2956A200A	IC2956A205C	{†6960053G3 ‡6960053G46	{†IC2956A203F ‡IC2956A203F
DD	IC2956A200A	IC2956A205B	{†6960053G3 ‡6960053G46	{†IC2956A203F ‡IC2956A203F
DE	IC2956A200A	IC2956A205B	{†6960053G3 ‡6960053G46	{†IC2956A203F ‡IC2956A203F
DF	IC2956A200C	IC2956A205C	{†6960053G3 ‡6960053G46	{†IC2956A203F ‡IC2956A203F
DG	IC2956A200C	IC2956A205B	{†6960053G3 ‡6960053G46	{†IC2956A203F ‡IC2956A203F
DH	IC2956A200B	IC2956A205A	{†6960053G3 ‡6960053G46	{†IC2956A203F ‡IC2956A203F
DJ	IC2956A200B	IC2956A205C	{†6960053G3 ‡6960053G46	{†IC2956A203F ‡IC2956A203F
DK	IC2956A200B	IC2956A205B	{†6960053G3 ‡6960053G46	{†IC2956A203F ‡IC2956A203F

* Includes movable and stationary contacts with springs and contact holding screws
† Left side
‡ Right side

IC2800-Y104 CONTACTORS



(NEG. 1161775)

Fig. 1. IC2800-Y104 contactor parts

IC2800-Y104 CONTACTORS

GEF-4124A

COMPLETE LIST OF PARTS

Ref. No.	Fig. No.	Quantity Required for IC2800-Y104-										Catalog Number	Description	
		A	B	D	F	AA	AB	AC	AD	AE	AF			
1	1	†	†	†	†	†	†	†	†	†	†	†	-----	Operating coil (see table on page 1) Set of interlock contacts, springs, and screws (see tables on pages 2 and 3)
-	*	†	†	†	†	†	†	†	†	†	†	†	-----	
2	1	2	2	2	2	2	2	2	2	2	2	2	N57P16008B	Connection screw for coil lead (10-32, 1/2 in. pan. hd., pro. fin.)
-	*	2	2	2	2	2	2	2	2	2	2	2	8617031	Washer for connection screw
3	1	2	2	2	2	2	2	2	2	2	2	2	8617022	Terminal clamp for coil lead
4	1	1	1	1	1	1	1	1	1	1	1	1	8626009P10	Retaining washer for operating coil
5	1	1	1	1	1	1	1	1	1	1	1	1	5304780G4	Magnet core for operating coil
6	1	1	1	1	1	1	1	1	1	1	1	1	N22P35024B	Screw fastening magnet core to magnet frame (3/4 in. -10, 1 1/2 in. hex. hd., pro. fin.)
7	1	1	1	1	1	1	1	1	1	1	1	1	N402P48B	Washer for screw Cat. No. N22P35024B
8	1	1	1	1	1	1	1	1	1	1	1	1	8650022G2	Magnet frame for operating coil
9	1	1	1	1	1	1	1	1	1	1	1	1	5302364P1	Connection plate for magnet frame
10	1	1	1	1	1	1	1	1	1	1	1	1	117A7300P4	Terminal for connection plate
11	1	1	1	1	1	1	1	1	1	1	1	1	N62P33024B	Carriage bolt fastening shunt and terminal to connection plate
12	1	1	-	1	1	1	1	1	1	1	1	1	8690978G1	Arcing horn
13	1	1	-	1	1	1	1	1	1	1	1	1	N22P25012B	Screw fastening arcing horn to magnet frame (3/8 in. -16, 3/4 in. hex. hd., pro. fin.)
14	1	1	1	1	1	-	-	1	1	1	1	1	8067092P4	Stop plate for armature
14	1	-	-	-	-	1	1	-	-	-	-	-	8067092P10	Stop plate for armature
15	1	2	2	2	2	2	2	2	2	2	2	2	N144P16014C	Screw with lock washer fastening stop plate to magnet frame
16	1	1	1	1	1	1	1	1	1	1	1	1	8650024P1	Fulcrum plate for armature, stationary
17	1	2	2	2	2	2	2	2	2	2	2	2	N144P21012C	Screw with lock washer fastening stationary fulcrum plate to magnet frame
18	1	2	2	2	2	2	2	2	2	2	2	2	8690203P1	Fulcrum retainer for movable fulcrum plate
19	1	2	2	2	2	2	2	2	2	2	2	2	8616461P1	Clamping strip for fulcrum retainer
20	1	2	2	2	2	2	2	2	2	2	2	2	N26P21010B	Screw fastening fulcrum retainer and clamping strip to magnet frame (1/4 in. -20, 5/8 in. hex. hd. slot, pro. fin.)
21	1	2	2	2	2	2	2	2	2	2	2	2	8616460P1	Dowel screw for fulcrum retainer and clamping strip
22	1	1	1	1	1	1	1	1	-	1	1	1	3087245G2	Armature with support for movable contact
22	1	-	-	-	-	-	-	-	1	-	-	-	139B8070P1	Armature with support for movable contact
23	1	1	1	1	1	1	1	1	1	1	1	1	8650025P2	Fulcrum plate for armature, movable
24	1	4	4	4	4	4	4	4	4	4	4	4	N170P21012B6	Screw with lock washer fastening movable fulcrum plate to armature
25	1	1	1	1	1	1	1	-	1	1	1	1	8690980P1	Movable contact
25	1	-	-	-	-	-	-	1	-	-	-	-	9034003G1	Movable contact
26	1	1	1	1	1	1	1	1	1	1	1	1	9034639G1	Shunt for movable contact
27	1	1	1	1	1	1	1	1	1	1	1	1	8617099P1	Screw fastening shunt to movable contact
28	1	1	1	1	1	1	1	1	1	1	1	1	8617095P1	Washer for screw Cat. No. 8617099P1
29	1	1	1	1	1	1	1	1	1	1	1	1	2414864P1	Compression spring for movable contact
30	2	-	-	-	-	-	-	1	-	-	-	-	8650328G6	Blowout coil with support for stationary contact
30	2	1	-	1	1	1	1	-	1	1	1	1	8650563G4	Blowout coil with support for stationary contact
-	*	-	1	-	-	-	-	-	-	-	-	-	119A5428P1	Contact support for stationary contact
-	*	2	-	2	2	2	2	2	2	2	2	2	N26P23016B	Screw fastening stationary contact support to base (5/16 in. -18, 1 in. hex. hd. slot, pro. fin.)
-	*	-	1	-	-	-	-	-	-	-	-	-	N22P29024B6	Screw fastening stationary contact support to base (1/2 in. -13, 1 1/2 in. hex. hd., pro. fin.)
31	2	1	1	1	1	1	1	-	1	1	1	1	8617100	Stationary contact
31	2	-	-	-	-	-	-	1	-	-	-	-	9034003G2	Stationary contact
32	2	1	-	1	1	1	1	1	1	1	1	1	N22P29016B	Screw fastening stationary contact to support (1/2 in. -13, 1 in. hex. hd., pro. fin.)
32	2	-	1	-	-	-	-	-	-	-	-	-	N22P29032B6	Screw fastening stationary contact to support (1/2 in. -13, 2 in. hex. hd., pro. fin.)
33	2	1	-	1	1	1	1	1	1	1	1	1	8617098	Magnet core for blowout coil
34	2	1	-	1	1	-	-	1	-	1	1	1	9023363P1	Insulation sleeve for magnet core
34	2	-	-	-	-	1	1	-	-	-	-	-	9023363P2	Insulation sleeve for magnet core
34	2	-	-	-	-	-	-	-	1	-	-	-	205A4036P1	Insulation sleeve for magnet core
35	2	2	-	2	2	-	-	2	-	2	2	2	287A103P3	Insulation washer for blowout coil
35	2	-	-	-	-	2	2	-	-	-	-	-	287A103P5	Insulation washer for blowout coil
35	2	-	-	-	-	-	-	-	2	-	-	-	125A6760P3	Insulation washer for blowout coil
36	2	1	-	1	1	1	1	1	-	1	1	1	8690979G6	Pole piece with stud, right-hand

* Not shown
† Quantity variable

IC2800-Y104 CONTACTORS

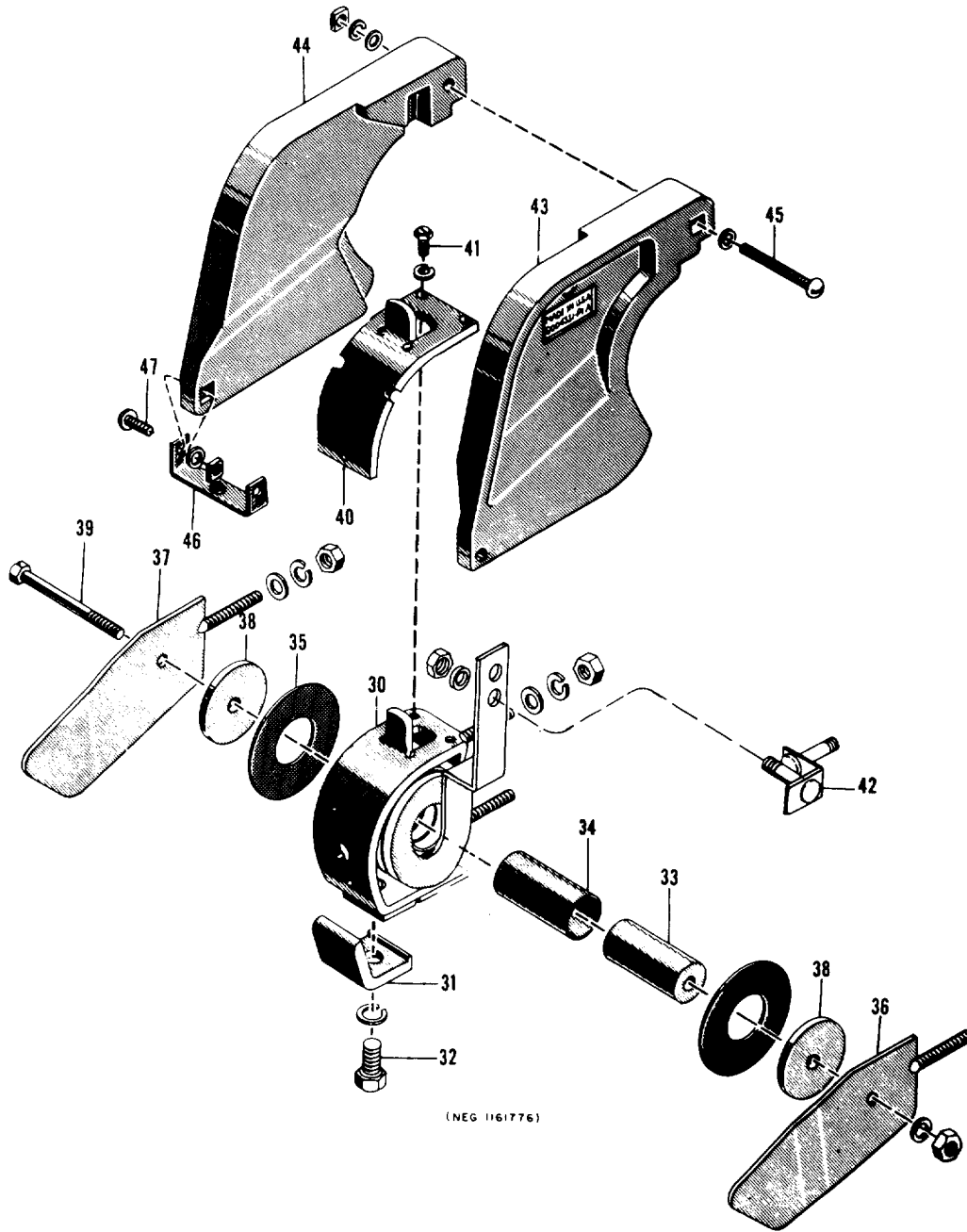


Fig. 2. IC2800-Y104 contactor parts

IC2800-Y104 CONTACTORS

GEF-4124A

COMPLETE LIST OF PARTS (CONT'D)

Ref. No.	Fig. No.	Quantity Required for IC2800-Y104-										Catalog Number	Description
		A	B	D	F	AA	AB	AC	AD	AE	AF		
36	2	-	-	-	-	-	-	-	1	-	-	2833563G2	Pole piece with stud, right-hand
37	2	1	-	1	1	1	1	1	-	1	1	8690979G5	Pole piece with stud, left-hand
37	2	-	-	-	-	-	-	-	1	-	-	2833563G1	Pole piece with stud, left-hand
38	2	2	-	2	2	2	2	2	2	2	2	8617097	Spacer for pole piece
39	2	1	-	1	1	1	1	1	1	1	1	N22P25068B	Screw fastening pole pieces together (3/8 in. -16, 4 1/4 in. hex. hd., pro. fin.)
40	2	1	-	1	1	1	1	1	1	1	1	8650326G1	Burning strip for blowout coil
41	2	2	-	2	2	2	2	2	2	2	2	N26P21010C6	Screw fastening burning strip to blowout coil (1/4 in. -20, 5/8 in. hex. hd., slot, pro. fin.)
42	2	-	-	-	-	-	-	1	-	-	-	117A7149G4	Support for blowout coil lead
42	2	1	-	1	1	1	1	-	1	1	1	117A7149G5	Support for blowout coil lead
-	*	1	-	1	1	1	1	1	1	1	1	117A7313G2	Arc chute, complete, with support, screws, nuts and washers
43	2	1	-	1	1	1	1	1	1	1	1	9004331P1	Arc chute side, right-hand
44	2	1	-	1	1	1	1	1	1	1	1	9004332P1	Arc chute side, left-hand
45	2	1	-	1	1	1	1	1	1	1	1	N57P21044B	Screw fastening arc chute sides together (1/4 in. -20, 2 3/4 in. pan. hd., pro. fin.)
46	2	1	-	1	1	1	1	1	1	1	1	8650329P4	Support for arc chute sides
47	2	2	-	2	2	2	2	2	2	2	2	N144P21012C	Screw with lock washer fastening support to arc chute sides
-	*	1	-	1	1	1	1	1	1	1	1	N26P21010B	Screw fastening support to arcing horn (1/4 in. -20, 5/8 in. hex. hd. slot, pro. fin.)
-	*	1	-	-	-	-	-	1	-	1	-	728B545P1	Base for contactor
-	*	-	-	1	-	-	1	-	-	-	-	728B454P3	Base for contactor
-	*	-	-	-	1	-	-	-	-	-	-	728B545P4	Base for contactor
-	*	-	-	-	-	1	-	-	-	-	-	728B545P6	Base for contactor
-	*	-	1	-	-	-	-	-	-	-	-	119A5426P1	Base for contactor
-	*	-	-	-	-	-	-	-	1	-	-	68J120202KA-0101DDV	Base for contactor
-	*	1	1	1	1	-	-	1	1	1	1	728B545P2	Insulation for back of base
-	*	-	-	-	-	1	1	-	-	-	-	728B545P5	Insulation for back of base

* Not shown

LIST OF HARDWARE

NUTS	
Catalog Number	Description
N203P21B	1/4 in. -20, hex. std.
N211P23	5/16 in. -18, hex. brass
N203P25B	3/8 in. -16, hex. std.
N203P33B	5/8 in. -11, hex. std.

LOCK WASHERS	
Catalog Number	Description
N405P41B	For 1/4-in. screw
N405P42B	For 5/16-in. screw
N405P42C	For 5/16-in. screw
N405P43B	For 3/8-in. screw
N405P45B	For 1/2-in. screw
N405P47B	For 5/8-in. screw
N405P48B	For 3/4-in. screw

PLAIN WASHERS	
Catalog Number	Description
N402P11B	For 1/4-in. screw
N402P12B	For 5/16-in. screw
N402P13B	For 3/8-in. screw
N402P15B	For 1/2-in. screw
N402P17B	For 5/8-in. screw

**GENERAL ELECTRIC COMPANY
INDUSTRIAL CONTROL DEPARTMENT
SALEM, VA. 24153**

GENERAL  ELECTRIC