



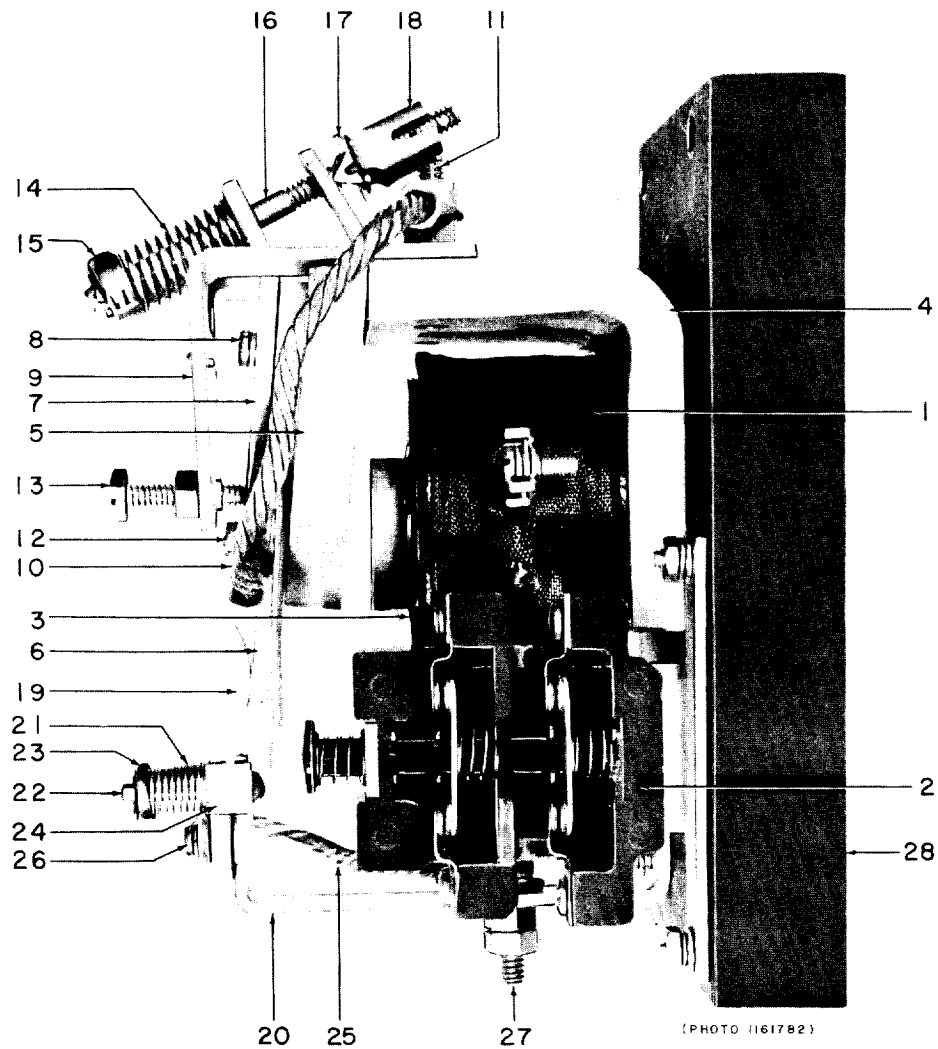
# RENEWAL PARTS

GEF-4130A  
Supersedes GEF-4130

## IC2800-A501 CONTACTORS

Forms A, B, C, and D

**NOTE:**—When ordering parts for a form of the contactor not covered by this bulletin, give reference number, description of part, complete nameplate reading, and above bulletin (GEF) number. *Do not use catalog number when form for which the parts are needed is not covered by the bulletin.*



IC2800-A501A contactor

When ordering renewal parts, give quantity, catalog number, description of each item required, and complete nameplate reading.

GENERAL  ELECTRIC

**IC2800-501 CONTACTORS**

PARTS RECOMMENDED FOR NORMAL STOCK

Ref. No.	No. Required for IC2800-A501-				Catalog Number	Description
	A	B	C	D		
1	1	1	1	1	-----	Operating coil (see table below)
	Δ	Δ	Δ	Δ	-----	Set of interlock contacts (see table)
6	1	1	1	-	5189048G3	Movable contact arm with tip
6	-	-	-	1	5189048G4	Movable contact arm with tip
19	1	1	1	1	578A994G1	Stationary contact
14	1	1	1	1	2414616	Compression spring for armature
21	1	1	1	1	574A711	Compression spring for stationary contact
10	1	1	1	-	5908318G2	Shunt for movable contact arm
10	-	-	-	1	5908318G3	Shunt for movable contact arm
25	1	1	1	1	5908318G2	Shunt for stationary contact

Δ If interlock is used one set is required for each interlock

Ref. No. 1 - OPERATING COILS - 1 Required

NOTE: - The operating coil is identified by the number following the form letter in the IC designation.

EXAMPLE:- IC2800-A501-A-2 requires operating coil No. 2, Cat. No. 22D57G3.

Coil No.	Coil Cat. No.	†Holding Resistor Cat. No.	Coil No.	Coil Cat. No.	†Holding Resistor Cat. No.
2	Δ22D57G3	-----	17	22D120G3	-----
3	Δ22D57G2	-----	18	Δ22D57G16	-----
4	Δ22D57G4	-----	19	22D120G4	-----
5	Δ22D57G5	-----	20	22D120G5	-----
6	Δ22D57G6	-----	21	Δ22D57G17A	A50E50DA- TH
7	Δ22D57G7	-----	22	Δ22D57G18A	A50E75DA- TH
8	Δ22D57G8	-----	23	Δ22D57G19A	A50E250DA- TH
9	Δ22D57G9	-----	24	Δ22D57G20A	A50E1000DA- TH
10	Δ22D57G9	-----	25	Δ22D57G21A	A50E1500DA- TH
11	Δ22D57G11	-----	26	Δ22D57G22A	A50E2500DA- TH
12	Δ22D57G12	-----	27	Δ22D57G23A	A50E4000DA- TH
13	Δ22D57G13	-----	28	Δ22D57G24A	A50E5000DA- TH
14	Δ22D57G14	-----	30	393B102G2	A50E1000DA- TH
15	22D120G2	-----	32	Δ22D57G27A	A50E25DA- TH
16	Δ22D57G15	-----	33	Δ22D57G28A	A50E200DA- TH

Δ Requires copper jacket, Cat. No. 5150855.

† Holding resistor must be ordered separately.

Ref. No. 2 - ELECTRICAL INTERLOCKS - 1 Required

NOTE:- The interlock is identified by the letter following the coil number in the IC designation.

EXAMPLE:- IC2800-A501-A-D-2-B requires interlock letter B, Cat. No. IC2956A105B.

For Forms A, B and C only

Interlock Letter	Interlock with Mounting Parts and Operating Arm	Interlock Switch Unit	‡Set of Interlock Contacts
	Cat. No.	Cat. No.	Cat. No.
B	IC2956A105B	IC2956A200B	6960053G3
C	IC2956A105C	IC2956A200C	6960053G3
D	IC2956A105D	IC2956A200A	6960053G3
E	IC2956A105E	IC2956A200AJ	6960053G3
F	IC2956A105F	IC2956A200G	6960053G2

For Form D only

Interlock Letter	Interlock Mounting parts and operating arm	Interlock Switch Unit	‡Set of Interlock Contacts
B	IC2956A114B	IC2956A200G	6960053G2
C	IC2956A114C	IC2956A200B	6960053G3
D	IC2956A114D	IC2956A200C	6960053G3

‡ Includes movable and stationary contacts with springs and contact-holding screws.

# IC2800-A501 CONTACTORS

GEF-4130A

## SHIMS FOR ARMATURE

NOTE:- The shim is identified by the letter following the form letter in the IC designation.

EXAMPLE:- IC2800-A501-A-D-2-B requires shim letter D,  
Cat. No. 5351666.

Shim Letter	Shim Cat. No.	Shim Letter	Shim Cat. No.
A	¶	E	5353251
B	5386520	F	2475160
C	{ 125A4003	R	2489801
	{ 5353251	X	§5386520
D	5351666	Y	§2489801

¶ When specific time is required or special shim having no suffix letter is desired, specify shim Cat. No. and/or time setting required.

§ 2 required.

## COMPLETE LIST OF PARTS

Ref. No.	No. Required for IC2800-A501-				Catalog Number	Description
	A	B	C	D		
3	1	1	1	1	1400212	Retaining washer for operating coil
4	1	1	1	-	4963661G1	Magnet frame with core
	-	-	-	1	4963661G1	Magnet frame with core
	1	1	1	1	N26P23016C	Screw fastening magnet frame to base (5/16 in.-18, 1 in. hex hd. slot., pro. fin.)
5	1	1	1	-	5958408P2	Armature
	-	-	-	1	5958408P3	Armature
	-	-	-	-	-----	Shim for armature (See table)
	2	2	2	2	N75P15004	Screw fastening shim to armature (8-32, 1/4 in., pan hd. brass)
6	1	1	1	-	5189048G3	Movable contact arm with tip
6	-	-	-	1	5189048G4	Movable contact arm with tip
7	1	1	1	1	4963662P13	Guide for armature
8	2	2	2	2	N144P16010C	Screw with lock washer fastening contact arm and guide to armature
9	1	1	1	1	3869842	Stop for armature
10	1	1	1	-	5908318G2	Shunt for movable contact arm
10	-	-	-	1	5908318G3	Shunt for movable contact arm
11	1	1	1	1	N89P21024B6	Stud for shunt and supporting bracket
	1	1	1	1	N57P21010B	Screw fastening supporting bracket to magnet frame (1/4 in.-20, 5/8 in., pan hd. pro. fin.)
12	1	1	1	-	N57P16004B	Screw fastening shunt to contact arm (10-32, 1/4 in., pan hd., pro. fin.)
12	-	-	-	1	N144P21012C6	Screw with lock washer fastening shunt to contact arm (1/4 in.-20, 3/4 in. pan hd slot, pro. fin.)
13	1	1	1	1	N26P21016B	Stop screw for armature (1/4 in.-20, 1 in. hex. hd slot., pro. fin.)
14	1	1	1	1	2414616	Compression spring for armature
15	1	1	1	1	437972P1	Spring seat for compression spring
16	1	1	1	1	5355941	Adjusting stud for compression spring
17	1	1	1	1	578A552P2	Collar for adjusting stud
18	1	1	1	1	9196760	Lock nut for adjusting stud
19	1	1	1	1	578A994G1	Stationary contact
20	1	1	1	1	578A580P1	Support for stationary contact
	1	1	1	1	N144P21010C	Screw with lock washer fastening support to base (1/4 in.-20, 5/8 in. pan hd. slot., pro. fin.)
21	1	1	1	1	574A711	Compression spring for stationary contact
22	1	1	1	1	N170P1602	Retaining screw for compression spring (10-32, 1 3/4 in. hex. socket hd)
23	1	1	1	1	1450952	Spring seat for compression spring
24	1	1	1	1	1443004	Guide for stationary contact
25	1	1	1	1	5908318G2	Shunt for stationary contact
26	1	1	1	1	N57P15004B	Screw fastening shunt to stationary contact (8-32, 1/4 in. pan hd. pro. fin.)
27	1	1	1	1	N22P21012B	Screw fastening shunt to stationary contact support (1/4 in.-20, 3/4 in. hex. hd pro. fin.)
28	1	-	-	1	578A579P1	Base
28	-	1	-	-	578A579P2	Base
	1	-	-	1	218A8408P1	Insulation for base
	-	1	-	-	218A8408P2	Insulation for base

GENERAL ELECTRIC COMPANY  
INDUSTRIAL CONTROL DEPARTMENT  
SALEM, VA. 24153

GENERAL  ELECTRIC