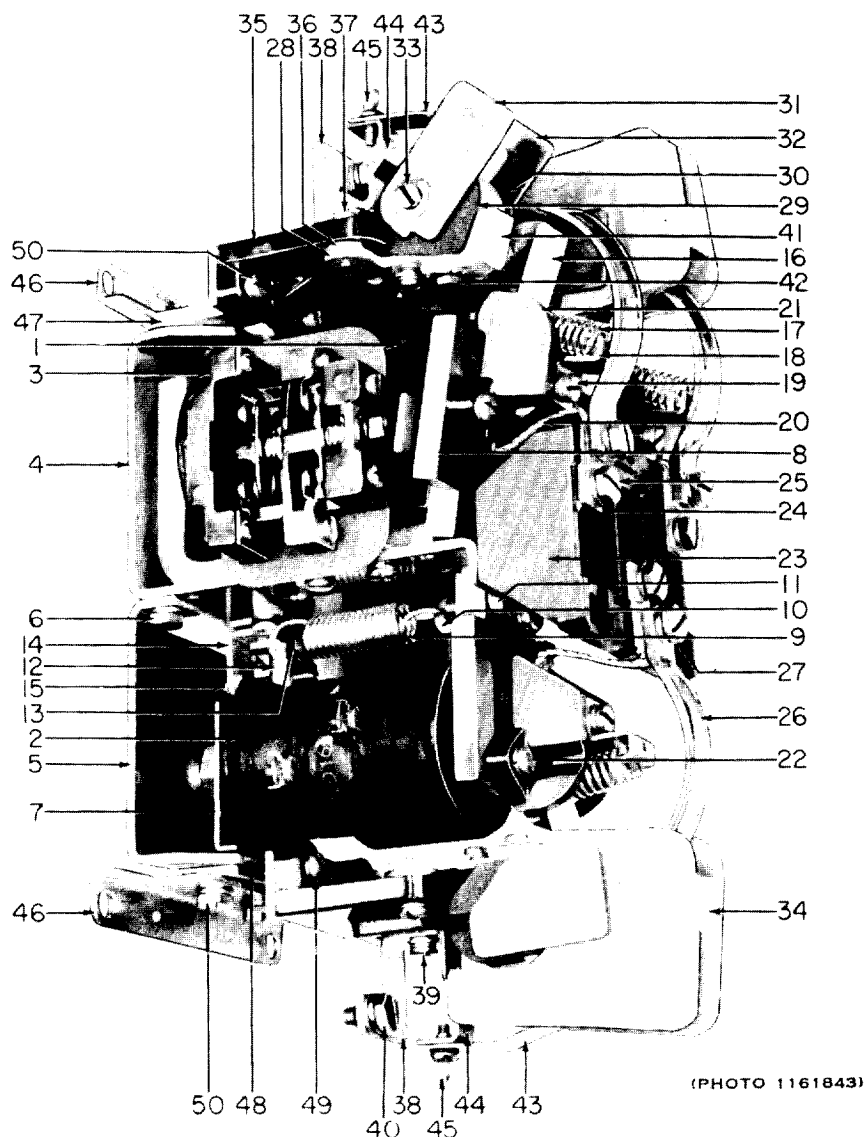


RENEWAL PARTS

IC2800-1613 CONTACTORS

Forms AA, AB, AC, AD, AE, AF, AG, AH, AJ, AK, AL, AM, AN, BA, BB, BC, BD, BE, BF, BG, BH, BJ, BK, BL, BM, BN, BP, and BR.

NOTE:—When ordering parts for a form of the contactor not covered by this bulletin, give reference number, description of part, complete nameplate reading, and above bulletin (GEF) number. *Do not use catalog number when form for which the parts are needed is not covered by the bulletin.*



When ordering renewal parts, give quantity, catalog number, description of each item required, and complete nameplate reading.

GENERAL  ELECTRIC

PARTS RECOMMENDED FOR NORMAL STOCK

Ref. No.	Number Required for IC2800-1613-																Catalog Number	Description
	AA	AB	AC	AD	AE	AF	AG	AH	AJ	AK	AL	AM	AN	—	—			
	BA	BB	BC	BD	BE	BF	BG	BH	BJ	BK	BL	BM	BN	BP	BR			
1	1	1	1	1	1	1	1	1	1	1	1	1	1	1	1	-----	Operating coil (see below)	
2	1	1	1	1	1	-	-	-	-	-	-	-	-	-	-	-----	Holding coil (see below)	
	Δ	Δ	Δ	Δ	Δ	Δ	Δ	Δ	Δ	Δ	Δ	Δ	Δ	Δ	Δ	-----	Set of interlock contacts (see table on page 3)	
41	3	3	3	3	3	3	3	3	3	3	3	3	3	3	3	6973075G1	Stationary contact tip	
16	3	3	3	3	3	3	3	3	3	3	3	3	3	3	3	8067076G1	Movable contact finger	
17	3	3	3	3	3	3	3	3	3	3	3	3	3	3	3	2418818	Compression spring for movable contact finger	
9	1	1	1	1	1	1	1	1	1	1	1	1	1	1	1	2412649	Tension spring for armature	
34	3	3	3	3	-	3	3	3	3	-	2	2	2	3	2	8650867P1	Arc-chute	
24	3	3	3	3	3	3	3	3	3	3	3	3	3	3	3	9043534G1	Shunt for main movable contact finger	

Δ If interlock is used, a quantity of one set is required for each interlock.

OPERATING AND HOLDING COILS - 1 of each Required
(For forms AA thru AE and BA thru BE only)

NOTE: - The operating and holding coil is identified by the number following the form letter in the IC designation.

EXAMPLE: - IC2800-1613-AA-202-B requires operating and holding coil number 202, Cat. No. 22D101G2 (operating coil); Cat. No. 22D163G2 (holding coil).

Coil No.	Operating Coil	Holding Coil	Coil No.	Operating Coil	Holding Coil	Coil No.	Operating Coil	Holding Coil
	Ref. No. 1	Ref. No. 2		Ref. No. 1	Ref. No. 2		Ref. No. 1	Ref. No. 2
	Cat. No.	Cat. No.		Cat. No.	Cat. No.		Cat. No.	Cat. No.
202	22D101G2A	22D163G2A	215	22D101G25A	22D163G8A	228	22D101G119A	22D163G13A
203	22D101G3A	22D163G3A	216	22D101G7A	22D163G2A	229	22D101G1A	22D163G7A
204	22D101G3A	22D163G3A	217	22D101G2A	22D163G7A	230	22D101G7A	22D163G6
205	22D101G6A	22D163G5A	218	22D101G103	22D163G3A	231	22D101G117	22D163G14A
206	22D101G4A	22D163G6A	219	22D101G2A	22D163G10A	232	22D101G2A	22D163G13A
207	22D101G2A	287A919G3	220	22D101G3A	22D163G10A	233	22D101G12A	22D163G11A
208	22D101G12A	22D163G2A	221	22D101G3A	22D163G7A	234	22D101G7A	22D163G6
209	22D101G15A	22D163G2A	222	22D101G102	22D163G2A	235	22D101G102	22D163G3A
210	22D101G15A	22D163G7A	223	22D101G3A	22D163G2A	236	22D101G111A	22D163G15A
211	22D101G102	287A919G3A	224	22D101G12A	22D163G11A	237	22D101G4A	22D163G6
212	22D101G109	22D163G2A	225	22D101G2A	22D163G3A	238	22D101G7A	22D163G16A
213	22D101G102	22D163G2A	226	22D101G15A	22D163G9A	239	22D101G26A	-----
214	22D101G26A	22D163G9A	227	22D101G114	22D163G2A	240	22D101G121A	22D163G5A

OPERATING COILS - 1 Required
(For forms AF thru AN and BF thru BR only)

NOTE:- The operating coil is identified by the number following the form letter in the IC designation.

EXAMPLE:- IC2800-1613-AF-2-B requires operating coil number 2, Cat. No. 22D101G2.

Coil No.	Cat. No.	Coil No.	Cat. No.	Coil No.	Cat. No.	Coil No.	Cat. No.
2	22D101G2A	14	22D101G4A	26	22D101G27A	54	22D101G105A
3	22D101G3A	15	22D101G7A	28	22D101G112A	55	22D101G106A
4	22D101G5A	16	22D101G22A	29	22D101G113A	56	22D101G104A
5	22D101G6A	17	22D101G23A	30	22D101G115A	57	22D101G108A
6	22D101G21A	18	22D101G16A	31	22D101G118A	58	22D101G109A
7	22D101G15A	19	22D101G107A	32	22D101G121A	59	22D101G110
8	22D101G17A	20	22D101G119A	33	22D101G125A	60	22D101G32
9	22D101G8A	21	22D101G12A	34	22D101G126A	62	22D101G114A
10	22D101G14A	22	22D101G18P1A	35	22D101G25A	63	22D101G116
11	22D101G11A	23	†22D101G30	36	3402172	64	22D101G117A
12	22D101G10A	24	393B213G1	52	22D101G102A	65	22D101G122A
13	22D101G18A	25	22D101G111A	53	22D101G103A	67	22D101G124

† 2 Required, winding "A" and "B".

ELECTRICAL INTERLOCKS

NOTE: - The interlock is identified by the letter following the coil number in the IC designation.

EXAMPLE: - IC2800-1613-A-2-B requires interlock letter B, Catalog Number IC2956A200G.

Interlock Letter	Ref. No. 3 Interlock Switch Unit		†Set of Interlock Contacts Cat. No.	Interlock Mounting Kit Cat. No.
	Right-hand	Left-hand		
	Cat. No.	Cat. No.		
B	-----	IC2956A200G	6960053G2	IC2956A202G
C	IC2956A200H	-----	6960053G2	IC2956A202G
D	-----	IC2956A200H	6960053G2	IC2956A202G
E	IC2956A200G	-----	6960053G2	IC2956A202G
F	-----	IC2956A200A	6960053G3	IC2956A202G
G	IC2956A200B	-----	6960053G3	IC2956A202G
H	-----	IC2956A200C	6960053G3	IC2956A202G
J	IC2956A200C	-----	6960053G3	IC2956A202G
K	-----	IC2956A200B	6960053G3	IC2956A202G
L	IC2956A200A	-----	6960053G3	IC2956A202G
M	IC2956A200A	IC2956A200A	6960053G3	IC2956A202G
N	IC2956A200C	IC2956A200A	6960053G3	IC2956A202G
P	IC2956A200B	IC2956A200A	6960053G3	IC2956A202G
R	IC2956A200B	IC2956A200C	6960053G3	IC2956A202G
S	IC2956A200C	IC2956A200B	6960053G3	IC2956A202G
AB	-----	IC2956A200AD	6960053G23	IC2956A202G
AC	IC2956A200AE	-----	6960053G23	IC2956A202G
AD	-----	IC2956A200AE	6960053G23	IC2956A202G
AE	IC2956A200AD	-----	6960053G23	IC2956A202G
AF	-----	IC2956A200AA	6960053G22	IC2956A202G
AG	IC2956A200AB	-----	6960053G22	IC2956A202G
AH	-----	IC2956A200AC	6960053G22	IC2956A202G
AJ	IC2956A200AC	-----	6960053G22	IC2956A202G
AK	-----	IC2956A200AB	6960053G22	IC2956A202G
AL	IC2956A200AA	-----	6960053G22	IC2956A202G
AM	IC2956A200AA	IC2956A200AA	6960053G22	IC2956A202G
AN	IC2956A200AC	IC2956A200AA	6960053G22	IC2956A202G
AP	IC2956A200AA	IC2956A200AA	6960053G22	IC2956A202G
AR	IC2956A200AC	IC2956A200AA	6960053G22	IC2956A202G
AS	IC2956A200AB	IC2956A200AA	6960053G22	IC2956A202G
DB	-----	IC2956A205D	6960053G46	IC2956A202G
DC	IC2956A205E	-----	6960053G46	IC2956A202G
DD	-----	IC2956A205E	6960053G46	IC2956A202G
DE	IC2956A205D	-----	6960053G46	IC2956A202G
DF	-----	IC2956A205A	6960053G46	IC2956A202G
DG	IC2956A205B	-----	6960053G46	IC2956A202G
DH	-----	IC2956A205C	6960053G46	IC2956A202G
DJ	IC2956A205C	-----	6960053G46	IC2956A202G
DK	-----	IC2956A205B	6960053G46	IC2956A202G
DL	IC2956A205A	-----	6960053G46	IC2956A202G
DM	IC2956A205B	IC2956A205A	6960053G46	IC2956A202G
DN	IC2956A205A	IC2956A205C	6960053G46	IC2956A202G
DP	IC2956A205A	IC2956A205A	6960053G46	IC2956A202G
DR	IC2956A205A	IC2956A205C	6960053G46	IC2956A202G
DS	IC2956A205A	IC2956A205B	6960053G46	IC2956A202G

† Includes movable and stationary contacts with springs and contact holding screws.

COMPLETE LIST OF PARTS

Ref. No.	Number Required for IC2800-1613-																Catalog Number	Description
	AA BA	AB BB	AC BC	AD BD	AE BE	AF BF	AG BG	AH BH	AJ BJ	AK BK	AL BL	AM BM	AN BN	— BP	— BR			
4	1	1	1	1	1	1	1	1	1	1	1	1	1	1	1	147A6180 259A2698P1 N910P87B6	Retainer for operating coil, right Retainer for operating coil, left Spring retaining ring for holding coil	
	1	1	1	1	1	1	1	1	1	1	1	1	1	1				
	1	1	1	1	1	-	-	-	-	-	-	-	-	-				
	1	1	1	1	1	1	1	1	1	1	1	1	1	-	-	8626009P6 8089296G2	Lock washer for holding coil Magnet frame with core, upper (Forms AA thru AN only)	

COMPLETE LIST OF PARTS (CONT'D)

Ref. No.	Number Required for IC2800-1613-														Catalog Number	Description	
	AA BA	AB BB	AC BC	AD BD	AE BE	AF BF	AG BG	AH BH	AJ BJ	AK BK	AL BL	AM BM	AN BN	BP			BR
4	1	1	1	1	1	1	1	1	1	1	1	1	1	1	1	129B5696G2	Magnet frame with core, upper (Forms BA thru BR only)
5	1	1	1	1	1	1	1	1	1	1	1	1	1	-	-	8089296G4	Magnet frame with stud for core, lower (Forms AA thru AN only)
5	1	1	1	1	1	1	1	1	1	1	1	1	1	1	1	129B5694G2	Magnet frame with stud for core, lower (Forms BA thru BR only)
6	2	2	2	2	2	2	2	2	2	2	2	2	2	2	2	N26P21010B6	Screw fastening lower magnet frame to upper frame (1/4 in. -20, 5/8 in. hex. hd. slot., pro. fin.)
	1	1	1	1	1	-	-	-	-	-	-	-	-	-	-	9694771G1	Magnet core, lower
7	1	1	1	1	1	-	-	-	-	-	-	-	-	-	-	8047152P1	Stop plate for magnet core
8	1	1	1	1	1	1	1	1	1	1	1	1	1	1	1	981B172G2	Armature assembly
9	1	1	1	1	1	1	1	1	1	1	1	1	1	1	1	2412649	Tension spring for armature
10	1	1	1	1	1	1	1	1	1	1	1	1	1	1	1	8087264G2	Support for tension spring
11	2	2	2	2	2	2	2	2	2	2	2	2	2	2	2	N26P21010B6	Screw fastening support to armature (1/4 in. -20, 5/8 in. hex. hd. slot., pro. fin.)
12	1	1	1	1	1	1	1	1	1	1	1	1	1	-	-	8067077G1	Adjusting arm for tension spring (Forms AA thru AN only)
	1	1	1	1	1	1	1	1	1	1	1	1	1	1	1	167A9802P1	Eyebolt for tension spring
13	1	1	1	1	1	1	1	1	1	1	1	1	1	-	-	8046642P1	Spacer for adjusting arm (Forms AA thru AN only)
14	1	1	1	1	1	1	1	1	1	1	1	1	1	-	-	8074926P2	Bracket for adjusting screw (Forms AA thru AN only)
15	1	1	1	1	1	1	1	1	1	1	1	1	1	1	1	8046641P1	Adjusting screw for spring adjusting arm (Forms AA thru AN only)
16	3	3	3	3	3	3	3	3	3	3	3	3	3	3	3	8067076G1	Movable contact finger
17	3	3	3	3	3	3	3	3	3	3	3	3	3	3	3	2418818	Compression spring for movable contact finger
18	3	3	3	3	3	3	3	3	3	3	3	3	3	3	3	8650870P3	Spring support
19	3	3	3	3	3	3	3	3	3	3	3	3	3	3	3	N144P16005C6	Screw with lock washer fastening spring support to molded support
20	3	3	3	3	3	3	3	3	3	3	3	3	3	3	3	9043584G1	Shunt for main movable contact finger
	3	3	3	3	3	3	3	3	3	3	3	3	3	3	3	N144P16005C6	Screw with lock washer fastening shunt to main movable contact finger
21	3	3	3	3	3	3	3	3	3	3	3	3	3	3	3	8650873P1	Molded support for main movable contact finger
22	3	3	3	3	3	3	3	3	3	3	3	3	3	3	3	N144P16010C6	Screw with lock washer fastening molded support to armature
23	1	1	1	1	1	1	1	1	1	1	1	1	1	1	1	125A5940G2	Terminal block
	2	2	2	2	2	2	2	2	2	2	2	2	2	2	2	N26P21010B6	Screw fastening terminal block to magnet frame (1/4 in. -20, 5/8 in. hex. hd. pro. fin.)
24	3	3	3	3	3	3	3	3	3	3	3	3	3	3	3	394B522P7	Connection strip
25	3	3	3	3	3	3	3	3	3	3	3	3	3	3	3	N26P21010B6	Connection screw for connection strip
26	3	3	3	3	-	3	3	3	3	-	2	2	2	3	2	8650869G1	Arcing horn (for Forms AA thru AD, AF thru AJ and AJ thru AN only)
26	3	3	3	3	-	3	3	3	3	-	2	2	2	3	2	8650869G2	Arcing horn (for Forms BA thru BD, BF thru BJ and BL thru BR only)
27	3	3	3	3	3	3	3	3	3	3	3	3	3	3	3	N26P21010B6	Screw fastening connection strip, shunt, and arcing horn to terminal block
	-	-	3	3	-	-	-	3	3	-	2	2	2	2	2	8650868P1	Stationary contact tip support
28	3	-	-	-	-	3	-	-	-	-	-	2	-	1	-	9043373G1	Blowout coil and stationary contact tip support
28	-	3	-	-	-	-	3	-	-	-	-	-	2	-	-	9043373G2	Blowout coil and stationary contact tip support

COMPLETE LIST OF PARTS (CONT'D)

Ref. No.	Number Required for IC2800-1613-																Catalog Number	Description
	AA BA	AB BB	AC BC	AD BD	AE BE	AF BF	AG BG	AH BH	AJ BJ	AK BK	AL BL	AM BM	AN BN	— BP	— BR			
	-	-	3	-	-	-	-	3	-	-	2	-	-	2	-	3247664	Blowout coil	
	-	-	-	3	-	-	-	-	3	-	-	-	-	-	2	3243604	Blowout coil	
	-	-	3	3	-	-	-	3	3	-	2	-	-	-	2	N144P16006C6	Screw with lock washer fastening blowout coil to stationary contact tip support	
29	3	3	-	-	-	3	3	-	-	-	-	-	1	-	9023914P1	Insulation tube for blowout coil		
	3	3	3	3	-	3	3	3	3	-	2	2	2	3	2	9043375P3	Insulation for blowout coil, left-hand	
30	3	3	3	3	-	3	3	3	3	-	2	2	2	3	2	9043375P4	Insulation for blowout coil, right-hand	
31	3	3	3	3	-	3	3	3	3	-	2	2	2	3	2	8650868P9	Pole piece, left-hand	
32	3	3	3	3	-	3	3	3	3	-	2	2	2	3	2	8650868G1	Pole piece, right-hand	
33	3	3	3	3	-	3	3	3	3	-	2	2	2	3	2	N57P15005B6	Screw fastening pole piece and insulation to core (8-32, 5/16 in. , pan hd slot, pro. fin.)	
34	3	3	3	3	-	3	3	3	3	-	2	2	2	3	2	8650867P1	Arc chute	
35	3	3	3	3	3	3	3	3	3	3	3	3	3	3	3	9043374P1	Insulation base	
36	3	3	3	3	3	3	3	3	3	3	3	3	3	3	3	394B522P9	Spacer for stationary contact tip support	
37	3	3	3	3	3	3	3	3	3	3	3	3	3	3	3	N144P16010C6	Screw with lock washer fastening spacer to insulation base	
38	3	3	3	3	-	3	3	3	3	-	2	2	2	3	2	8650872P7	Terminal support	
39	3	3	3	3	3	3	3	3	3	3	3	3	3	3	3	N144P16008C6	Screw with lock washer fastening terminal support to insula- tion base	
	-	-	-	-	3	-	-	-	-	3	1	1	1	-	1	8650870P2	Support for stationary contact tip	
	3	3	3	3	3	3	3	3	3	3	3	3	3	3	3	N144P16010C6	Screw with lock washer fastening stationary contact tip sup- port to insulation base	
40	3	3	3	3	3	3	3	3	3	3	3	3	3	3	3	N26P21010B6	Connection screw for terminal support or stationary con- tact tip support	
41	3	3	3	3	3	3	3	3	3	3	3	3	3	3	3	6973075G1	Stationary contact tip	
42	3	3	3	3	3	3	3	3	3	3	3	3	3	3	3	9384190P1	Screw with lockwasher fastening stationary contact tip to support	
43	3	3	3	3	-	3	3	3	3	-	2	2	2	3	2	8650870P6	Clamp for arc chute	
44	3	3	3	3	-	3	3	3	3	-	2	2	2	3	2	8650870P5	Supporting bracket for clamp	
45	3	3	3	3	-	3	3	3	3	-	2	2	2	3	2	9693202P1	Wing screw fastening clamp to supporting bracket	
46	2	2	2	2	2	2	2	2	2	2	2	2	2	2	2	9397565P2	Mounting bracket	
47	1	1	1	1	1	1	1	1	1	1	1	1	1	-	-	125A5941P1	Supporting bracket for mounting bracket, top (for Forms AA thru AN only)	
47	1	1	1	1	1	1	1	1	1	1	1	1	1	1	1	129B5702P1	Supporting bracket for mounting bracket, top (for Forms BA thru BR only)	
48	1	1	1	1	1	1	1	1	1	1	1	1	1	-	-	125A6082P1	Supporting bracket for mounting bracket, bottom (for Forms AA thru AN only)	
48	1	1	1	1	1	1	1	1	1	1	1	1	1	1	1	129B5702P2	Supporting bracket for mounting bracket, bottom (for Forms BA thru BR only)	
49	2	2	2	2	2	2	2	2	2	2	2	2	2	2	2	N144P16010C6	Screw with lockwasher fastening insulation base to support- ing bracket	
50	2	2	2	2	2	2	2	2	2	2	2	2	2	2	2	N26P21010B6	Screw fastening mounting bracket and supporting bracket to magnet frame (1/4 in. -20, 5/8 in. hex. hd. slot. , pro. fin.)	

IC2800-1613 CONTACTORS

COMPLETE LIST OF PARTS (CONT'D)

LOCK WASHERS

Catalog Number	Description
N405P38B6	For No. 8 screw
N405P39B6	For No. 10 screw
N405P41B6	For 1/4 in. screw
N405P45B6	For 1/2 in. screw

PLAIN WASHERS

Catalog Number	Description
N402P11B6	For 1/4 in. screw
N402P38B6	For No. 8 screw

NUTS

Catalog Number	Description
N203P21B	1/4-20, hex. std.
N203P29B6	1/2-13, hex. std.

**GENERAL ELECTRIC COMPANY
INDUSTRIAL CONTROL DEPARTMENT
SALEM, VA. 24153**

GENERAL  ELECTRIC