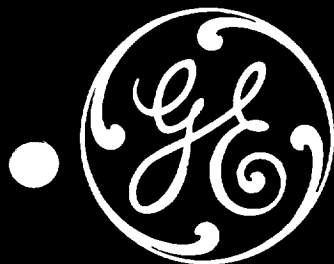


RENEWAL PARTS

IC2800-1614 CONTACTORS

Forms AA thru CS



NOTE:—When ordering parts for a form of the contactor not covered by this bulletin, give reference number, description of part, complete nameplate reading, and above bulletin (GEF) number. Do not use catalog number when form for which the parts are needed is not covered by the bulletin.

PARTS RECOMMENDED FOR NORMAL STOCK

Fig. No.	Ref. No.	Number Required for IC2800-1614-																Catalog Number	Description
		AA BA CA	AB BB CB	AC BC CC	AD BD CD	AE BE CE	AF BF CF	AG BG CG	AH BH CH	AJ BJ CJ	AK BK CK	BL CL	BM CM	BN CN	BP CP	BR CR	BS CS		
1	16	4	4	4	4	4	4	4	4	4	4	4	4	4	4	4	4	8067076G1	Movable contact
1, 2	57	4	4	4	4	4	4	4	4	4	2	4	4	4	4	4	6973075G1	Stationary contact	
1	17	4	4	4	4	4	4	4	4	4	4	4	4	4	4	9043584G1	Shunt		
1	15	4	4	4	4	4	4	4	4	4	4	4	4	4	4	2418818	Spring for movable contact		
1	23	1	1	1	1	1	1	1	1	1	1	1	1	1	1	2412649	Spring for armature		
1	1	4	4	4	4	-	4	4	4	-	2	4	4	4	-	8650867P1	Arc chute		
1	32	1	1	1	1	1	1	1	1	1	1	1	1	1	1	See Table	Operating coil		
1	33	1	1	1	1	1	-	-	-	-	-	-	-	-	-	See Table	Holding coil		
		+	+	+	+	+	+	+	+	+	+	+	+	+	+	See Table	Set of interlock contacts		

+ Quantity variable; set includes movable and stationary contacts, springs, and contact-holding screws for one interlock switch unit.

OPERATING AND HOLDING COILS - 1 of Each Required

FOR IC2800-1614-AA-AE, BA-BE, CA-CE CONTACTORS

NOTE: The operating and holding coils are identified by the number following the form letters in the IC designation.

EXAMPLE: IC2800-1614-BA-202B requires operating and holding coils No. 202, Cat. No. 22D101G2 (operating coil) and Cat. No. 22D163G2 (holding coil).

Coil No.	Ref. No. 32 Operating Coil Cat. No.	Ref. No. 33 Holding Coil Cat. No.	Coil No.	Ref. No. 32 Operating Coil Cat. No.	Ref. No. 33 Holding Coil Cat. No.	Coil No.	Ref. No. 32 Operating Coil Cat. No.	Ref. No. 33 Holding Coil Cat. No.
202	22D101G2A	22D163G2A	215	22D101G25A	22D163G8A	228	22D101G119A	22D163G13A
203	22D101G3A	22D163G3A	216	22D101G7A	22D163G2A	229	22D101G1A	22D163G7A
204	22D101G5A	22D163G6	217	22D101G2A	22D163G7A	230	22D101G7A	22D163G6
205	22D101G6A	22D163G5A	218	22D101G103	22D163G3A	231	22D101G117	22D163G14A
206	22D101G4A	22D163G6A	219	22D101G2A	22D163G10A	232	22D101G2A	22D163G13A
207	22D101G2	287A919G3	220	22D101G3A	22D163G10A	233	22D101G12A	22D163G11A
208	22D101G12A	22D163G2A	221	22D101G3A	22D163G7A	234	22D101G7A	22D163G6
209	22D101G15A	22D163G2A	222	22D101G102	22D163G2A	235	22D101G102	22D163G3A
210	22D101G15A	22D163G7A	223	22D101G3A	22D163G2A	236	22D101G111A	22D163G15A
211	22D101G102	287A919G3	224	22D101G12A	22D163G11A	237	22D101G4A	22D163G6
212	22D101G109	22D163G2A	225	22D101G2A	22D163G3A	238	22D101G7A	22D163G16A
213	22D101G102	22D163G2A	226	22D101G15A	22D163G9A	239	22D101G126A	-----
214	22D101G26A	22D163G9A	227	22D101G114	22D163G2A	240	22D101G121A	22D163G5A

When ordering renewal parts, give quantity, catalog number, description of each item required, and complete nameplate reading.



IC2800-1614 CONTACTORS

Ref. No. 32 - OPERATING COIL - 1 Required

FOR IC2800-1614-AF-AK, BF-BS, CF-CS CONTACTORS

NOTE: The operating coil is identified by the number following the form letters in the IC designation.

EXAMPLE: IC2800-1614-BF-2-B requires operating coil No. 2, Cat. No. 22D101G2.

Coil No.	Cat. No.	Coil No.	Cat. No.	Coil No.	Cat. No.	Coil No.	Cat. No.	Coil No.	Cat. No.
2	22D101G2A	13	22D101G18A	24	393B213G1A	35	22D101G25A	56	22D101G104
3	22D101G3A	14	22D101G4A	25	22D101G111A	36	3402172	57	22D101G108
4	22D101G5A	15	22D101G7A	26	22D101G27A	37	22D101G127A	58	22D101G109
5	22D101G6A	16	22D101G14A	27	22D101G2A	38	22D101G128A	59	22D101G110
6	22D101G21A	17	22D101G23A	28	22D101G112A	39	22D101G123A	60	22D101G32
7	22D101G15A	18	22D101G16A	29	22D101G113A	40	3402319	62	22D101G114
8	22D101G17A	19	22D101G107A	30	22D101G115A	52	22D101G102	63	22D101G116
9	22D101G8A	20	22D101G119A	31	22D101G118A	53	22D101G103	64	22D101G117
10	22D101G14A	21	22D101G12A	32	22D101G121A	54	22D101G105	65	22D101G122
11	22D101G11A	22	22D101G18A	33	22D101G125A	55	22D101G106	67	22D101G124
12	22D101G10A	23	22D101G30A	34	22D101G126A				

ELECTRICAL INTERLOCKS

NOTE: The interlock is identified by the letter following the coil number in the IC designation.

EXAMPLE: IC2800-1614-BA-2-B requires interlock letter B, Cat. No. IC2956A200G.

Inter-lock Letter	Interlock Switch Unit		δSet of Interlock Contacts Cat. No.	Interlock Mounting Kit Cat. No.	Inter-lock Letter	Interlock Switch Unit		δSet of Interlock Contacts Cat. No.	Interlock Mounting Kit Cat. No.
	Right-hand Cat. No.	Left-hand Cat. No.				Right-hand Cat. No.	Left-hand Cat. No.		
B	-----	IC2956A200G	6960053G2	IC2956A202G		IC2956A200AA	6960053G22	IC2956A202G	
C	IC2956A200H	-----	6960053G2	IC2956A202H	AM	IC2956A200AA	6960053G22	IC2956A202H	
D	-----	IC2956A200H	6960053G2	IC2956A202G		IC2956A200AC	6960053G22	IC2956A202G	
E	IC2956A200G	-----	6960053G2	IC2956A202H	AN	IC2956A200AA	6960053G22	IC2956A202H	
F	-----	IC2956A200A	6960053G3	IC2956A202G		IC2956A200AA	6960053G22	IC2956A202G	
G	IC2956A200B	-----	6960053G3	IC2956A202H	AP	IC2956A200AA	6960053G22	IC2956A202H	
H	-----	IC2956A200C	6960053G3	IC2956A202G		IC2956A200AA	6960053G22	IC2956A202G	
J	IC2956A200C	-----	6960053G3	IC2956A202H	AR	IC2956A200AA	6960053G22	IC2956A202H	
K	-----	IC2956A200B	6960053G3	IC2956A202G		IC2956A200AC	6960053G22	IC2956A202H	
L	IC2956A200A	-----	6960053G3	IC2956A202H	AS	IC2956A200AA	6960053G22	IC2956A202G	
M	IC2956A200A	-----	6960053G3	IC2956A202G		IC2956A200AB	6960053G22	IC2956A202H	
N	IC2956A200C	IC2956A200A	6960053G3	IC2956A202H	DB	-----	IC2956A205D	6960053G43	IC2956A202G
P	IC2956A200B	-----	6960053G3	IC2956A202G	DC	IC2956A205E	-----	6960053G43	IC2956A202H
R	IC2956A200B	IC2956A200A	6960053G3	IC2956A202H	DD	-----	IC2956A205E	6960053G43	IC2956A202G
S	IC2956A200C	-----	6960053G3	IC2956A202G	DE	IC2956A205D	-----	6960053G43	IC2956A202H
AB	-----	IC2956A200B	6960053G3	IC2956A202G	DF	-----	IC2956A205A	6960053G43	IC2956A202G
AC	IC2956A200AE	-----	6960053G23	IC2956A202H	DG	IC2956A205B	-----	6960053G43	IC2956A202H
AD	-----	IC2956A200AE	6960053G23	IC2956A202G	DH	-----	IC2956A205C	6960053G43	IC2956A202G
AE	IC2956A200AD	-----	6960053G23	IC2956A202H	DJ	IC2956A205C	-----	6960053G43	IC2956A202H
AF	-----	IC2956A200AA	6960053G22	IC2956A202G	DK	-----	IC2956A205B	6960053G43	IC2956A202G
AG	IC2956A200AB	-----	6960053G22	IC2956A202H	DL	IC2956A205A	-----	6960053G43	IC2956A202H
AH	-----	IC2956A200AC	6960053G22	IC2956A202G	DM	-----	IC2956A205A	6960053G43	IC2956A202G
AJ	IC2956A200AC	-----	6960053G22	IC2956A202H	DN	-----	IC2956A205A	6960053G43	IC2956A202G
AK	-----	IC2956A200AB	6960053G22	IC2956A202G	DP	IC2956A205C	-----	6960053G43	IC2956A202H
AL	IC2956A200AA	-----	6960053G22	IC2956A202H	DR	-----	IC2956A205C	6960053G43	IC2956A202G
					DS	IC2956A205A	-----	6960053G43	IC2956A202H
						IC2956A205B	-----	6960053G43	IC2956A202G

δ Includes movable and stationary contacts, springs, and contact-holding screws.

IC2800-1614 CONTACTORS

GEF-4187

COMPLETE LIST OF PARTS

Fig. No.	Ref. No.	Number Required for IC2800-1614-																								Catalog Number	Description
		AA	AB	AC	AD	AE	AF	AG	AH	AJ	AK	AL	AM	AN	AO	AP	AQ	AR	AS	AT	AU	AV	AW	AX	AY		
1	1	4	4	4	4	4	4	4	4	4	4	4	4	4	4	4	4	4	4	4	4	4	4	4	4	8650867P1	Arc chute
1	2	4	4	4	4	4	4	4	4	4	4	4	4	4	4	4	4	4	4	4	4	4	4	4	4	8650870P6	Arc chute retainer (for Forms AA-AK and BA-BS only)
1	3	4	4	4	4	4	4	4	4	4	4	4	4	4	4	4	4	4	4	4	4	4	4	4	4	9693202P1	Wing screw
1,2	4	4	4	4	4	4	4	4	4	4	4	4	4	4	4	4	4	4	4	4	4	4	4	4	4	8650870P5	Supporting bracket for arc chute retainer
1	5	4	4	4	4	4	4	4	4	4	4	4	4	4	4	4	4	4	4	4	4	4	4	4	4	8650869G1	Arcing horn (for Forms AS-AK only)
1	6	4	4	4	4	4	4	4	4	4	4	4	4	4	4	4	4	4	4	4	4	4	4	4	4	N26P21010B6	Screw fastening arcing horn, connection strip, and shunt to terminal board (1/4-20, 5/8 in., hex hd, slot, pro fin)
1	7	1	1	1	1	1	1	1	1	1	1	1	1	1	1	1	1	1	1	1	1	1	1	1	1	125A5940G1	Terminal board
1	8	2	2	2	2	2	2	2	2	2	2	2	2	2	2	2	2	2	2	2	2	2	2	2	2	N26P21010B6	Screw fastening terminal board to frame (1/4-20, 5/8 in., hex hd, slot, pro fin)
1	9	4	4	4	4	4	4	4	4	4	4	4	4	4	4	4	4	4	4	4	4	4	4	4	4	394A522P7	Connection strip
1	10	4	4	4	4	4	4	4	4	4	4	4	4	4	4	4	4	4	4	4	4	4	4	4	4	N26P21010B6	Terminal screw for connection strip (1/4-20, 5/8 in., hex hd, slot, pro fin)
1	11	4	4	4	4	4	4	4	4	4	4	4	4	4	4	4	4	4	4	4	4	4	4	4	4	8650873P1	Movable contact support
1	12	8	8	8	8	8	8	8	8	8	8	8	8	8	8	8	8	8	8	8	8	8	8	8	8	N144P16010C6	Screw and lock washer fastening contact support to armature (10-32, 5/8 in., pan hd, pro fin)
1	13	4	4	4	4	4	4	4	4	4	4	4	4	4	4	4	4	4	4	4	4	4	4	4	4	8650870P3	Spring seat
1	14	4	4	4	4	4	4	4	4	4	4	4	4	4	4	4	4	4	4	4	4	4	4	4	4	N144P16005C6	Screw and lock washer fastening spring seat to support (10-32, 5/16 in., pan hd, pro fin)
1	15	4	4	4	4	4	4	4	4	4	4	4	4	4	4	4	4	4	4	4	4	4	4	4	4	2418818	Spring for movable contact
1	16	4	4	4	4	4	4	4	4	4	4	4	4	4	4	4	4	4	4	4	4	4	4	4	4	8067076G1	Movable contact
1	17	4	4	4	4	4	4	4	4	4	4	4	4	4	4	4	4	4	4	4	4	4	4	4	4	9043584G1	Shunt
1	18	4	4	4	4	4	4	4	4	4	4	4	4	4	4	4	4	4	4	4	4	4	4	4	4	N144P16005C6	Screw and lock washer fastening shunt to movable contact (10-32, 5/16 in., pan hd, pro fin)
1	19	1	1	1	1	1	1	1	1	1	1	1	1	1	1	1	1	1	1	1	1	1	1	1	1	981B172G1	Armature assembly
1	20	1	1	1	1	1	1	1	1	1	1	1	1	1	1	1	1	1	1	1	1	1	1	1	1	8089296G2	Upper frame (Forms AA-AK only)
1	20A	1	1	1	1	1	1	1	1	1	1	1	1	1	1	1	1	1	1	1	1	1	1	1	1	129B5696G2	Upper frame (Forms BA-BM, BS and CA-CM, CS only)
1	20A	1	1	1	1	1	1	1	1	1	1	1	1	1	1	1	1	1	1	1	1	1	1	1	1	205A8197P2	Upper frame (Forms BN-BR and CN-CR only)
1	21	1	1	1	1	1	1	1	1	1	1	1	1	1	1	1	1	1	1	1	1	1	1	1	1	8087264G2	Spring support
1	22	1	1	1	1	1	1	1	1	1	1	1	1	1	1	1	1	1	1	1	1	1	1	1	1	N26P21010B6	Screw fastening spring support to armature (1/4-20, 5/8 in., hex hd, slot, pro fin)
1	23	1	1	1	1	1	1	1	1	1	1	1	1	1	1	1	1	1	1	1	1	1	1	1	1	2412649	Spring for armature
1	24	1	1	1	1	1	1	1	1	1	1	1	1	1	1	1	1	1	1	1	1	1	1	1	1	8067077G1	Adjusting arm assembly (Forms AA-AK only)
1	25	1	1	1	1	1	1	1	1	1	1	1	1	1	1	1	1	1	1	1	1	1	1	1	1	N57P16012B6	Screw fastening adjusting arm (1/4-20, 3/4 in., hex hd, slot, pro fin)
1	26	1	1	1	1	1	1	1	1	1	1	1	1	1	1	1	1	1	1	1	1	1	1	1	1	167A9802P1	Eyebolt for armature spring (Forms BA-BS and CA-CS only)
1	27	2	2	2	2	2	2	2	2	2	2	2	2	2	2	2	2	2	2	2	2	2	2	2	2	N203P21B	Lock nut for eyebolt (1/4-20, hex, pro fin)
1	28	1	1	1	1	1	1	1	1	1	1	1	1	1	1	1	1	1	1	1	1	1	1	1	1	8089296G4	Lower frame assembly (Forms AA-AK only)
2	28A	1	1	1	1	1	1	1	1	1	1	1	1	1	1	1	1	1	1	1	1	1	1	1	1	129B5694G2	Lower frame assembly (Forms BA-BM, BS and CA-CM, CS only)
2	28A	1	1	1	1	1	1	1	1	1	1	1	1	1	1	1	1	1	1	1	1	1	1	1	1	205A8198P2	Lower frame assembly (Forms BN-BR, CN-CR only)
1	29	4	4	4	4	4	4	4	4	4	4	4	4	4	4	4	4	4	4	4	4	4	4	4	4	N26P21010B6	Screw fastening lower frame to upper frame (1/4-20, 5/8 in., hex hd, slot, pro fin)
1	30	1	1	1	1	1	1	1	1	1	1	1	1	1	1	1	1	1	1	1	1	1	1	1	1	147A6180	Retainer for operating coil
1	31	3	3	3	3	3	3	3	3	3	3	3	3	3	3	3	3	3	3	3	3	3	3	3	3	147A5848P2	Spacing washer for operating coil
1	32	1	1	1	1	1	1	1	1	1	1	1	1	1	1	1	1	1	1	1	1	1	1	1	1	See Table	Operating coil
1	33	1	1	1	1	1	1	1	1	1	1	1	1	1	1	1	1	1	1	1	1	1	1	1	1	See Table	Holding coil
1	34	1	1	1	1	1	1	1	1	1	1	1	1	1	1	1	1	1	1	1	1	1	1	1	1	8626009P6	Spring washer for holding coil

IC2800-1614 CONTACTORS

GEF-4187

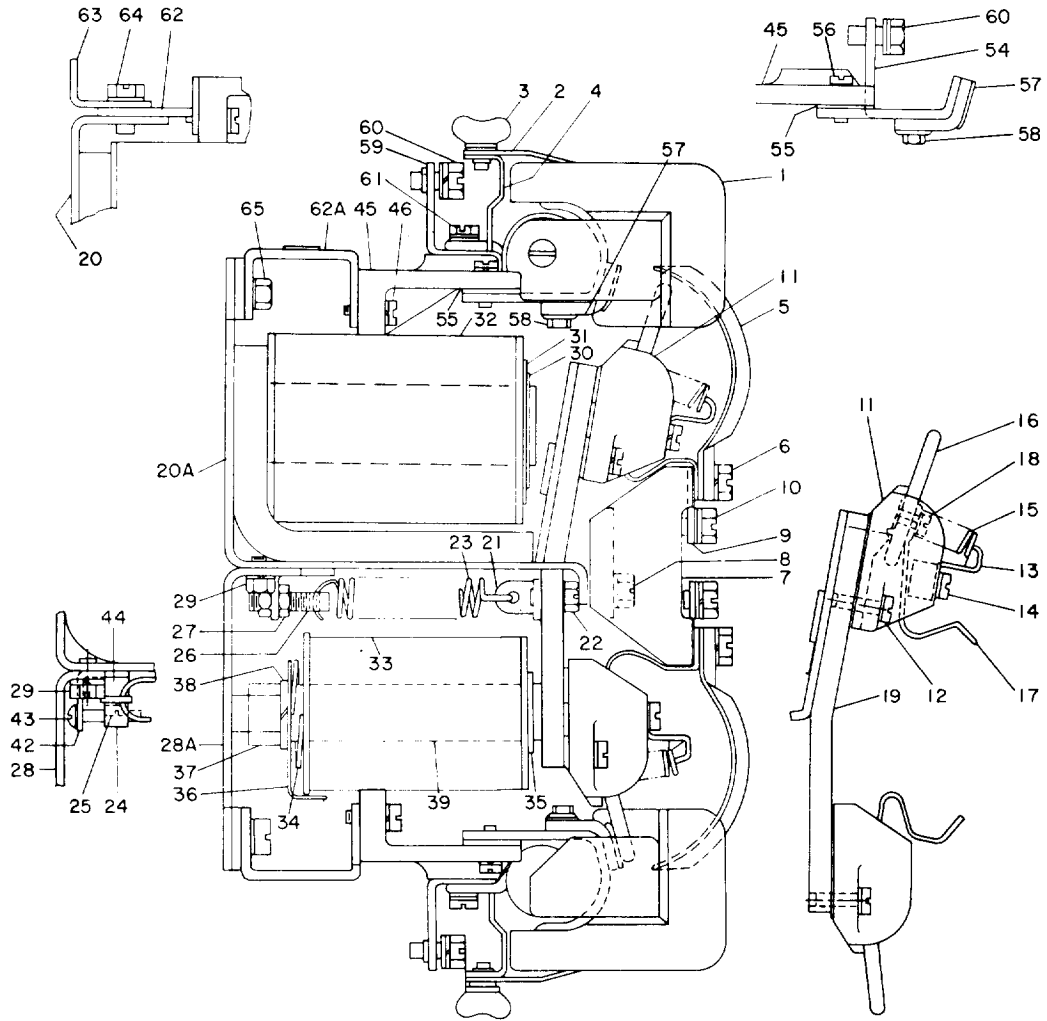


Fig. 1

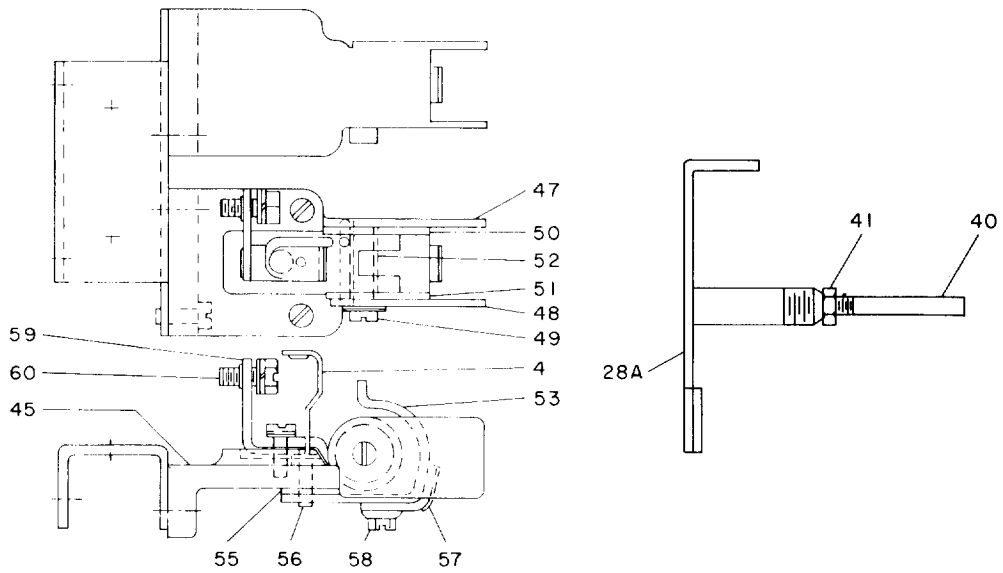


Fig. 2

GENERAL ELECTRIC COMPANY
INDUSTRIAL CONTROL DEPARTMENT
SALEM, VA. 24153

GENERAL  ELECTRIC