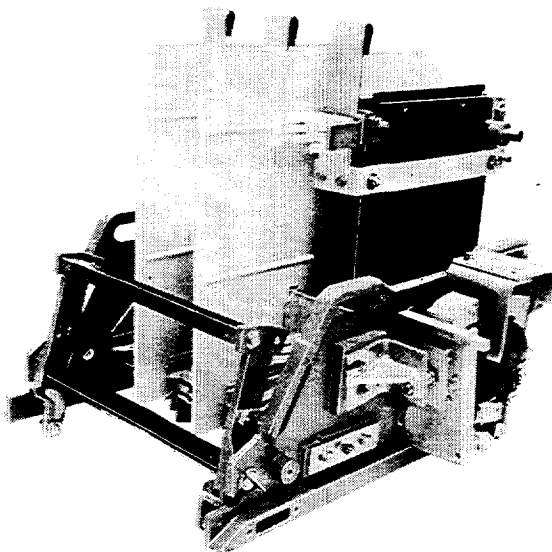
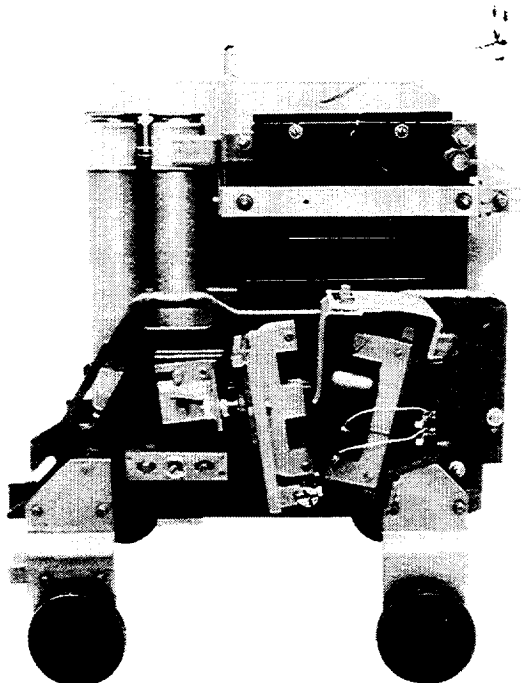


RENEWAL PARTS

IC2814-E CONTACTORS

- E210B, BB, BC, BD, CC, DB, DC, EB, EC
- E211B, BB, BC, BE, DB, DC, EB, EC
- E220B, C, BB, BC, BF, BH, BY, CC, CD, DB, DC, EB, EC
- E221B, C, BB, BC, BE, BF, BG, CC, DB, DC, EB, EC
- E230B, C, BB, BC, CC, DB, DC, EB, EC, EF
- E231B, C, BB, BC, BD, BF, CC, DB, DC, EB, EC

NOTE:—When ordering parts for a form of the contactor not covered by this bulletin, give reference number, description of part, complete nameplate reading, and above bulletin (GEF) number. Do not use catalog number when form for which the parts are needed is not covered by the bulletin.



PARTS RECOMMENDED FOR NORMAL STOCK

Ref. No.	Number Required for IC2814E-						Catalog Number	Description
	210	211	220	221	230	231		
1	1	1	1	1	1	1	-----	Operating coil (see table on page 2)
27	3	3	3	3	3	3	2416875	Compression spring for moving contact
27	-	3	-	-	-	-	174A4412	Compression spring for moving contact
28	3	3	3	3	3	3	167A8898G1	Main moving contact
31	3	3	3	3	3	3	188A5535G1	Shunt for moving contact
34	3	3	3	3	3	3	167A8898G1	Main stationary contact
62	78	78	78	78	78	78	104B9931P1	Arc barrier plate
62	36	36	36	36	36	36	177B3253P3	Arc barrier plate
62	36	36	36	36	36	36	177B3253P4	Arc barrier plate
80	-	-	12	12	12	12	125A4278P1	Contact finger for stab-on assembly
83	-	-	3	3	3	3	194A1421P1	Spring for stab-on finger

When ordering renewal parts, give quantity, catalog number, description of each item required, and complete nameplate reading.

IC2814-E CONTACTORS

REF. NO. 1 - OPERATING COILS - 1 Required

NOTE: The operating coil is identified by the number following the form letter in the IC designation.

EXAMPLE: IC2814-E210-B2 requires operating coil No. 2, Cat. No. 1D300G102.

FOR IC2814E-210, 220 AND 230 ONLY

Coil No.	Catalog Number	Coil No.	Catalog Number	Coil No.	Catalog Number	Coil No.	Catalog Number
2	1D300G102	15	1D300G103	30	1D300G125	47	1D300G124
3	1D300G103	16	1D300G104	31	1D300G126	48	1D300G134
4	1D300G123	17	1D300G115	32	1D300G127	49	1D300G135
5	1D300G105	18	1D300G116	33	1D300G108	50	1D300G136
6	1D300G106	19	1D300G117	34	1D300G122	51	1D300G133
7	1D300G107	22	1D300G120	35	1D300G128	52	1D300G135
8	1D300G108	23	1D300G113	38	1D300G129	53	1D300G145
9	1D300G109	24	1D300G121	39	1D300G107	54	1D300G138
10	1D300G110	25	1D300G122	40	1D300G103	55	1D300G144
11	1D300G111	26	1D300G123	41	1D300G130	56	1D300G139
12	1D300G112	28	1D300G123	42	1D300G131	57	1D300G140
13	1D300G113	29	1D300G124	46	1D300G133	58	1D300G151
14	1D300G114						

REF. NO. 1 - OPERATING COILS - 1 Required

NOTE: The operating coil (also pick-up resistor, holding resistor and rectifier when required) are identified by the number following the form letter in the IC designation.

EXAMPLE: IC2814-E211- requires operating Coil No. 27, Cat. No. 1D130G149 and pick-up resistor Cat. No. A100G10EA-TH, and holding resistor A100G500EA-TH.

FOR FORMS IC2814E-211, 221 AND 231 ONLY

Coil No.	Catalog Number	†Pick-up Resistor (1 Required) Catalog Number	†Holding Resistor Catalog Number	No. Req'd	†Rectifier Catalog Number	No. Req'd
22	1D300G142	-----	A100G100EA-TH	2	-----	-
23	1D300G143	-----	A100G750EA-TH	1	-----	-
24	1D300G146	-----	A100G25EA-TH	1	-----	-
			A100G10EA-TH	1	-----	-
26	1D300G147	-----	A100G5EA-TH	1	-----	-
			A100G4EA-TH	1	-----	-
27	1D300G149	A100G10EA-TH	A100G500EA-TH	1	-----	-
28	1D300G148	A100G3EA-TH	A100G100EA-TH	1	-----	-
			A100G10EA-TH	1	-----	-
32	1D300G118	-----	A100G100EA-TH	2	-----	-
33	1D300G154	-----	A100G250EA-TH	2	-----	-
34	1D300G130	-----	A100G25EA-TH	1	-----	-
35	1D300G118	-----	A100G5EA-TH	1	-----	-
36	1D300G150	-----	A100G100EA-TH	2	-----	-
			A100G5EA-TH	1	-----	-
			A100G2EA-TH	1	-----	-
37	1D300G149	A100G3EA-TH	A100G500EA-TH	1	-----	-
38	1D300G152	A100G2EA-TH	A100G50EA-TH	2	-----	-
42	1D300G118	-----	IC9033A2ZK1	1	-----	-
			IC9033A2ZY2	1	-----	-
43	1D300G154	-----	IC9033A2ZK5	1	-----	-
			IC9033A2ZK4	1	-----	-
44	1D300G130	-----	IC9033A2ZH8	1	-----	-
			IC9033A2ZJ2	1	-----	-
45	1D300G118	-----	IC9033A2ZJ9	1	-----	-
			IC9033A2ZK1	1	-----	-
46	1D300G150	-----	IC9033BZF4	1	-----	-
47	1D300G149	-----	IC9033A2ZY5	1	-----	-
48	1D300G152	-----	IC9033A2ZJ8	1	-----	-
			IC9033A2ZJ4	1	-----	-
212	1D300G138	-----	A100G125EA-TH	1	IC3500A403C2	2
213	1D300G144	-----	A100G500EA-TH	1	IC3500A403C6	1

† Coil number does not include resistors or rectifier. These items must be ordered separately.
Resistors are not required when latch assembly is used.

IC2814-E CONTACTORS

GEF-4337C

REF. NO. 1 - OPERATING COILS - 1 Required
FOR FORMS IC2814E211, 221 AND 231 ONLY (CONT'D)

Coil No.	Catalog Number	†Pick-up Resistor (1 Required) Catalog Number	†Holding Resistor Catalog Number	No. Req'd	†Rectifier Catalog Number	No. Req'd
214	1D300G139	-----	A100G1500EA-TH	1	IC3500A403C5	2
215	1D300G140	-----	A100G2500EA-TH	1	IC3500A403C8	2
216	1D300G141	-----	A100G3500EA-TH	1	IC3500A403C8	1
312	1D300G138	-----	A100G50EA-TH	1	IC3500A403C2	1
313	1D300G144	-----	A100G500EA-TH	1	IC3500A403C6	1
314	1D300G139	-----	A100G750EA-TH	1	IC3500A403C5	1
315	1D300G140	-----	A100G1250EA-TH	1	IC3500A403C8	1
316	1D300G155	-----	A100G1250EA-TH	1	IC3500A403C6	1
			A100G1000EA-TH	1		
612	1D300G152	-----	IC9033A2ZJ8	1	IC3500A403C2	1
			IC9033A2ZJ4	1		
613	1D300G144	-----	IC9033A2ZY5	1	IC3500A403C6	1
614	1D300G139	-----	IC9033A2ZY6	1	IC3500A403C5	1
615	1D300G140	-----	IC9033A2ZY6	1	IC3500A403C8	1
			IC9033A2ZK6	1		
616	1D300G155	-----	IC9033A2ZK5	1	IC3500A403C6	1
			IC9033A2ZJ7	1		

† Coil number does not include resistors or rectifier. These items must be ordered separately.
Resistors are not required when latch assembly is used.

LATCH ASSEMBLY ONLY - 1 Required

NOTE: The latch assembly is identified by the form letter following the coil number in the IC designation.

EXAMPLE: IC2814-E221BB27B requires Form Letter B, Cat. No. 136C1754G9.

Form Letter	Catalog Number	Form Letter	Catalog Number	Form Letter	Catalog Number	Form Letter	Catalog Number
B	136C1754G9	E	136C1754G5	H	136C1754G9	K	136C1754G2
C	136C1754G7	F	136C1754G7	J	136C1754G1	L	128C6698G5
D	136C1754G8	G	136C1754G8				

LATCH AND TRIP BAR ASSEMBLIES - 1 Required

NOTE: The latch and trip bar assemblies are identified by the form letter following the coil number in the IC designation.

EXAMPLE: IC2814-E221BB27N requires Form Letter N, Latch Assy Cat. No. 136C1754G9 and Trip Bar Assy Cat. No. 918D605G2.

Form Letter	Latch Assy. Cat. No.	Trip Bar Assy. Cat. No.	Form Letter	Latch Assy. Cat. No.	Trip Bar Assy. Cat. No.
M	-----	918D605G1	T	136C1754G8	918D605G3
N	136C1754G9	918D605G2	U	136C1754G9	918D605G3
P	136C1754G7	918D605G2	V	136C1754G1	918D605G3
R	136C1754G8	918D605G2	W	136C1754G2	918D605G3
S	136C1754G7	918D605G3	X	-----	918D605G1

TRIP SOLENOID FOR LATCH ASSY (1 Required)

NOTE: The solenoid is identified by the number following the latch assembly form letter in the IC designation.

EXAMPLE: IC2814-E221BB27B3 requires Solenoid No. 3, Cat. No. CR9500A201CM7A.

Solenoid Form No.	Solenoid Catalog Number	Solenoid Coil Catalog Number	Rectifier Catalog Number	Solenoid Form No.	Solenoid Catalog Number	Solenoid Coil Catalog Number	Rectifier Catalog Number
3	CR9500A201CM7A	15D2G55	-----	53	CR9500A201CM2A	15D2G2	-----
4	CR9500A201CM8A	15D2G69	-----	54	CR9500A201CM3A	15D2G3	-----
5	CR9500A201CM3A	15D2G80	-----	55	CR9500A201CM7A	15D2G7	-----
6	CR9500A201CM5A	15D2G88	-----	503	CR9500A201CM9A	15D2G14	IC3500A403C2
				504	CR9500A201CM11A	15D2G3	IC3500A403C6

IC2814-E CONTACTORS

COMPLETE LIST OF PARTS

Ref. No.	No. Required for IC2814E-						Catalog Number	Description
	210	211	220	221	230	231		
2	1	1	1	1	1	1	501D152P1	Frame, right-side
	1	1	1	1	1	1	111C8876P1	Frame, left-side
3	1	-	1	-	1	-	233B523G1	Magnet frame for operating coil
	-	1	-	1	-	1	129B9715P1	Magnet frame for operating coil
3	1	-	1	-	1	-	233B523G6	Magnet frame for operating coil (for IC2814-E210DB, 220DB, DC, EB, EC, 230DB, DC, EB, EC, EF)
4	2	-	2	-	2	-	284A962P2	Pole shader
5	1	1	1	1	1	1	218A5593G1	Coil holder
6	1	1	1	1	1	1	188A5536P1	Clamp for magnet frame, bottom
7	1	1	1	1	1	1	188A5536P2	Clamp for magnet frame, top
	2	2	2	2	2	2	N22P25024B6	Bolt fastening clamp to magnet frame (3/8-16, 1 1/2 in. hex. hd, pro. fin.)
	1	-	1	-	1	-	139B7623G5	Armature assembly complete, with armature, bracket, and fulcrum
	-	1	-	1	-	1	139B7623G4	Armature assembly complete, with armature, bracket, fulcrum, and armature plate
9	1	-	1	-	1	-	233B523G2	Armature
	-	1	-	1	-	1	129B9715P2	Armature
10	1	1	1	1	1	1	139B8161G1	Armature bracket
11	1	1	1	1	1	1	284A964P2	Fulcrum
	-	1	-	1	-	1	174A7623P1	Armature plate
12	2	2	2	2	2	2	N22P25012B6	Bolt fastening fulcrum and plate to bracket (3/8-16, 3/4 in. hex. hd, pro. fin.)
13	2	2	2	2	2	2	PFC #41439	Bolt fastening armature bracket to shaft
	2	2	2	2	2	2	PFC #43685	Lock washer for Ref. 13
14	1	1	1	1	1	1	218A5559G1	Armature stop
15	1	1	1	1	1	1	188A5553P1	Stop screw for armature stop
16	2	2	2	2	2	2	577A177P2	Mounting bolt for stop assembly
17	2	2	2	2	2	2	188A5542P1	Terminal for operating coil
18	2	-	2	2	2	2	N144P16006C6	Screw with lock washer for terminal (10-32, 3/8 in. pan hd, pro. fin.)
	-	2	-	-	-	-	N144P16010C6	Screw with lock washer for terminal (10-32, 5/8 in. pan hd, pro. fin.)
	4	4	4	4	4	4	8617022P1	Terminal clamp
	4	4	4	4	4	4	N144P16008C6	Screw with lock washer for mounting terminal clamp (10-32, 1/2 in. pan hd, pro. fin.)
19	2	2	2	2	2	2	188A5527G1	Stub shaft assembly
21	4	4	4	4	4	4	577A177P2	Mounting bolt for stub shaft assembly
22	2	2	2	2	2	2	286A113P27	Bolt for end of stub shaft
23	2	2	2	2	2	2	188A5537G1	Bearing plate assembly for moving contact shaft
	2	2	2	2	2	2	181A4108P2	Collar for end of moving contact shaft
	4	4	4	4	4	4	N70P2104B6	Set screw for collar (1/4 in. -20, 1/4 in. hex. socket hd, pro. fin.)
24	1	1	1	1	1	1	139B7622G1	Shaft assembly complete, with shaft, moving contacts, contact supports, shunts, springs and adjusting screw (for all forms except IC2814-E211BC)
	-	1	-	-	-	-	139B7622G7	Shaft assembly complete, with shaft, moving contacts, contact supports, shunts, springs and adjusting screw (for Form IC2814-E211BC only)
	1	1	1	1	1	1	685D924G1	Main shaft
25	3	3	3	3	3	3	188A5539P1	Pin for moving contact support
26	6	6	6	6	6	6	N22P21012B6	Bolt fastening moving contact support to shaft (1/4-20, 3/4 in. hex. hd, pro. fin.)
27	3	3	3	3	3	3	2416875P1	Compression spring for moving contact (for all forms except IC2814-E211BC)
	-	3	-	-	-	-	174A4412	Compression spring for moving contact (for Form IC2814-E211BC only)
28	3	3	3	3	3	3	167A8898G1	Moving contact assembly
29	3	3	3	3	3	3	139B8165G1	Support for moving contact
30	3	3	3	3	3	3	188A5551P1	Adjusting screw for contact support
31	3	3	3	3	3	3	188A5535G1	Shunt for moving contact
32	3	3	3	3	3	3	577A177P4	Bolt fastening moving contact and shunt to support
33	3	3	3	3	3	3	N57P23016B6	Screw for contact support to position shunt (5/16-16, 1 in. pan hd, pro. fin.)
34	3	3	3	3	3	3	167A8898G1	Stationary contact
35	3	3	3	3	3	3	139B8171G1	Clip for arcing horn (for all forms except IC2814-E220BH)
	-	-	3	-	-	-	139B8171G2	Clip for arcing horn (for Form IC2814E220BH only)

IC2814-E CONTACTORS

GEF-4337C

COMPLETE LIST OF PARTS (CONT'D)

Ref. No.	No. Required for IC2814E-						Catalog Number	Description
	210	211	220	221	230	231		
36	3	3	3	3	3	3	577A177P2	Bolt for clip
37	1	1	1	1	1	1	685D152P1	Base
	3	3	3	3	3	3	N22P23024B6	Bolt fastening blowout coil to base (5/16 in. -18, 1 1/2 in. hex. hd, pro. fin.)
39	3	3	3	3	3	3	194A7124P1	Nut for bolt fastening blowout coil to base
	3	3	3	3	3	3	167A8581G	Blowout coil
	3	3	3	3	3	3	139B8170G1	Core for blowout coil
40	3	3	3	3	3	3	194A1454P1	Insulation tube for core
42	6	6	6	6	6	6	PFC #40265	Insulation washer for pole pieces
43	3	3	3	3	3	3	139B8168G1	Pole piece, left-hand
44	3	3	3	3	3	3	139B8168G2	Pole piece, right-hand
45	6	6	6	6	6	6	N22P23016B6	Bolt fastening pole pieces to core (5/16-18, 1 in. hex. hd, pro. fin.)
46	2	2	2	2	2	2	139B7619P1	Barrier between arc chutes
47	1	1	1	1	1	1	158C1805G1	Fuse base and shunt plate assembly
48	-	-	6	6	6	6	188A5559P1	Spring support
49	-	-	6	6	6	6	188A5534P1	Fuse clip
50	3	3	3	3	3	3	139B8179P12	Ground strap
51	6	6	6	6	6	6	N22P23024B6	Mounting bolt for ground strap, fuse clip and spring support (5/16-18, 1 1/2 in. hex. hd, pro. fin.)
52	3	3	3	3	3	3	139B8179P3	Nut block
	3	3	3	3	3	3	188A5292P1	Support for nut block
53	3	3	3	3	3	3	N22P23016B6	Mounting bolt for nut block (5/16 in. -18, 1 in. hex. hd, pro. fin.)
54	3	3	3	3	3	3	194A7125P1	Saddle
55	3	3	3	3	3	3	577A177P5	Mounting bolt for saddle
	1	1	1	1	1	1	116C9907P1	Chute tie bar
	3	3	3	3	3	3	N22P23044B6	Mounting bolt for tie bar
56	3	3	3	3	3	3	PFC #40265	Washer for mounting bolt
	2	2	2	2	2	2	149B1754G1	Intermediate stab assembly (for IC2814-E210B, BB, 211B, BB, BC, BD, 220B, BB, BC, BD, 221B, BB, BE, BF, 230B, BB, 231B, BB, BD)
	1	1	1	1	1	1	149B1754G2	Intermediate stab assembly (for IC2814-E210B, BB, 211B, BB, BC, BD, 220B, BB, BC, BD, 221B, BB, BE, BF, 230B, BB, 231B, BB, BD)
	3	3	3	3	3	3	188A5686P2	Intermediate stab assembly (for IC2814-210BC, 211BE, 220BC, CC, 221BC, BG, 230BC, CC, DC, EC, EF, 231BC, CC)
	6	6	6	6	-	9	149B1754G7	Stab assembly (for IC2814-E210BB, DB, EB, 211BB, DB, EB, 220DB, EB, 221DB, EB, 231DB, EB)
	3	3	3	3	9	-	149B1754G8	Stab assembly (for IC2814-E210BB, DB, EB, 211BB, BC, DB, EB, 220DB, EB, 230DB, EB, EF)
	3	3	3	3	-	3	188A5686P1	Stab assembly (for IC2814-E210DC, EC, 211DC, EC, 220DC, EC, 221DC, EC, 231DC, EC)
57	3	3	3	3	3	3	139B8179P9	Back up angle for stab
	6	6	6	6	6	6	577A177P5	Bolt fastening back up angle to stab
58	2	2	2	2	-	-	188A5684P1	Barrier
59	2	2	2	2	-	-	205A5745P1	Support for barrier
	8	8	8	8	-	-	N57P16010B6	Screw fastening barrier to support
	6	6	6	6	6	6	577A177P3	Mounting screw for back up angle
	†	1	-	-	-	-	139B7628G15	Arc chute assembly, center (unfused)
	†	2	-	-	-	-	139B7628G7	Arc chute assembly, left and right (unfused)
	†	-	1	1	-	-	139B7628G1	Arc chute assembly, center (long fuse)
	†	-	1	1	-	-	139B7628G2	Arc chute assembly, left (long fuse)
	†	-	1	1	-	-	139B7628G3	Arc chute assembly, right (long fuse)
	†	-	-	-	1	1	139B7628G4	Arc chute assembly, center (short fuse)
	†	-	-	-	1	1	139B7628G5	Arc chute assembly, left (short fuse)
†	-	-	-	-	1	1	139B7628G6	Arc chute assembly, right (short fuse)
	3	3	3	3	3	3	501D129P1	Arc chute side, left
†60	3	3	3	3	3	3	501D129P2	Arc chute side, right
†61	3	3	3	3	3	3	104B9931P1	Arc barrier plate
†62	78	78	78	78	78	78	149B1784G1	Arc barrier plate holder
†63	3	3	3	3	3	3	188A5545G1	Arcing horn assembly, front
†64	3	3	3	3	3	3	139B8519P1	Main arcing horn
	3	3	3	3	3	3	194A1485P2	Spacer
†65	3	3	3	3	3	3	194A1484P1	Hooked shaped end plate
†66	3	3	3	3	3	3	N144P16006C6	Screw with lock washer fastening spacer and end plate to arcing horn (10-32, 3/8 in. pan hd, pro. fin.)
†67	12	12	12	12	12	12	194B8338G2	Arcing horn assembly, rear
†68	3	3	3	3	3	3	194B8340P2	Main arcing horn

† For IC2814-E210B, 211B, 220B, C, 221B, C, 230B, C and 231B,C only.

IC2814-E CONTACTORS

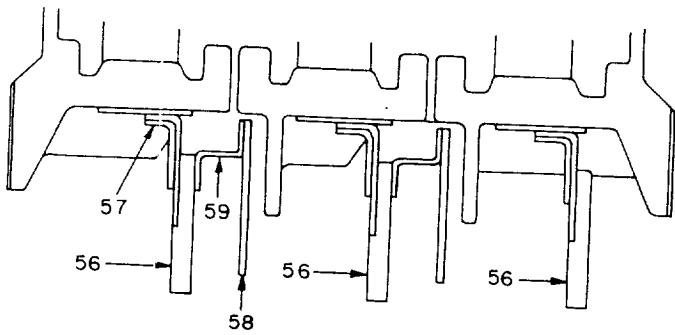
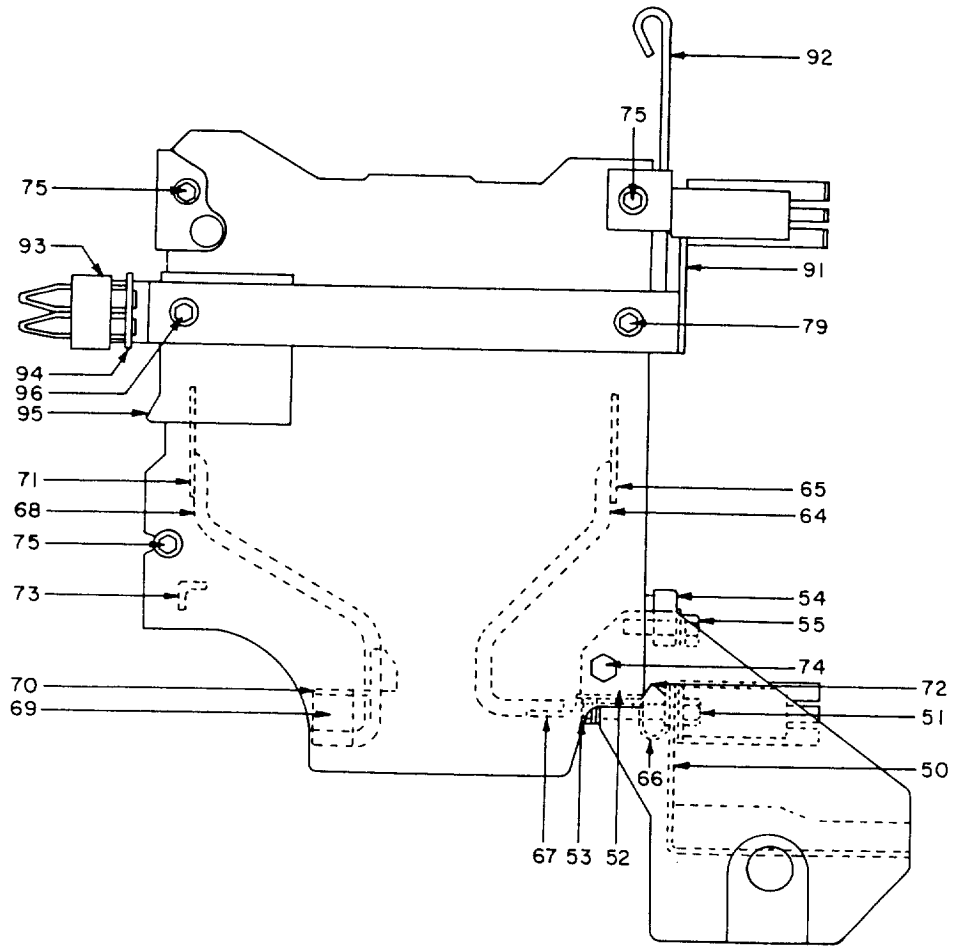
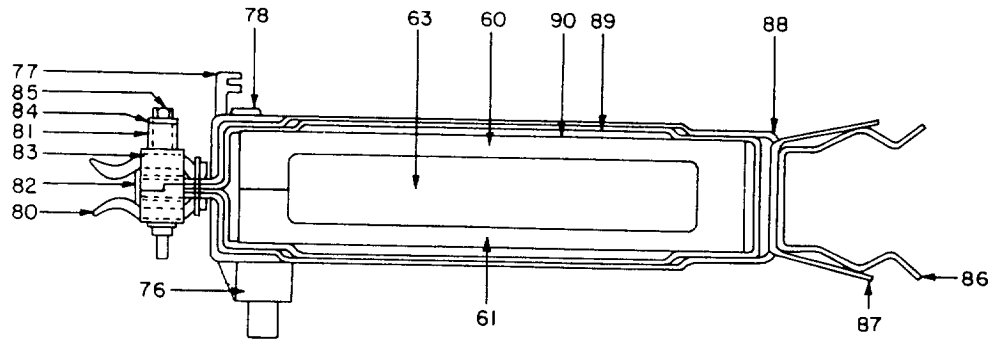
COMPLETE LIST OF PARTS (CONT'D)

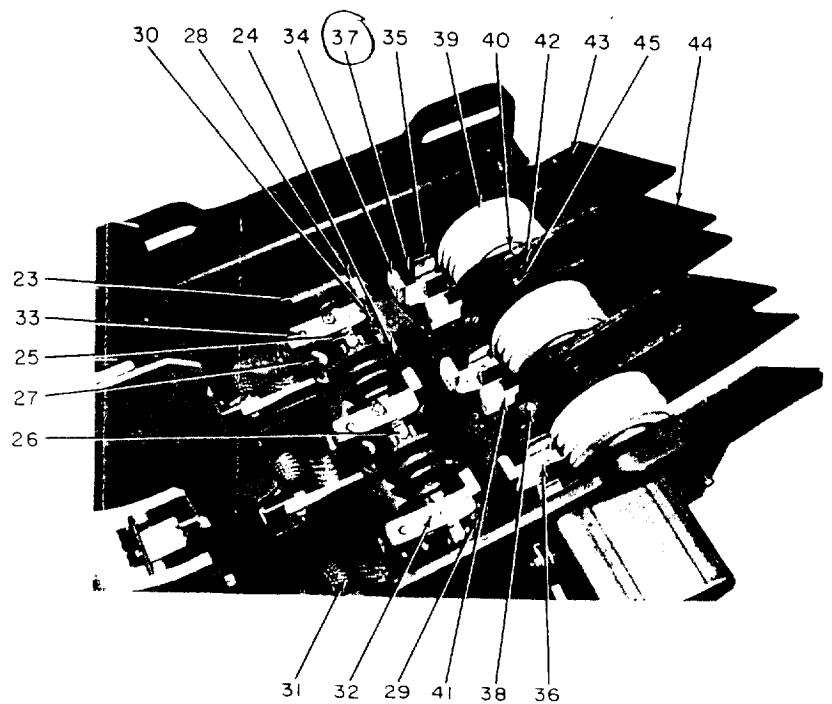
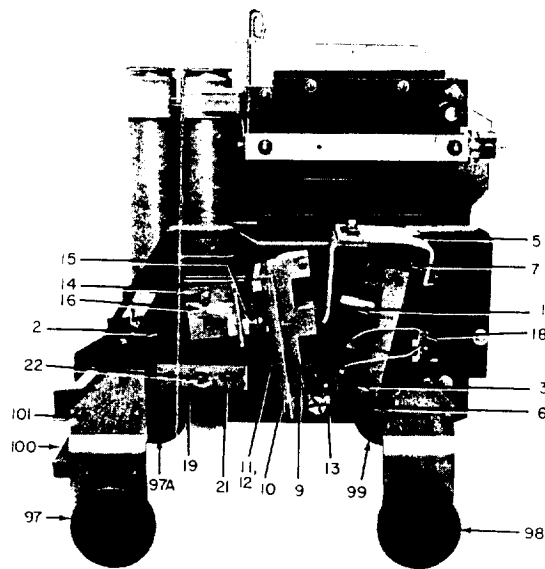
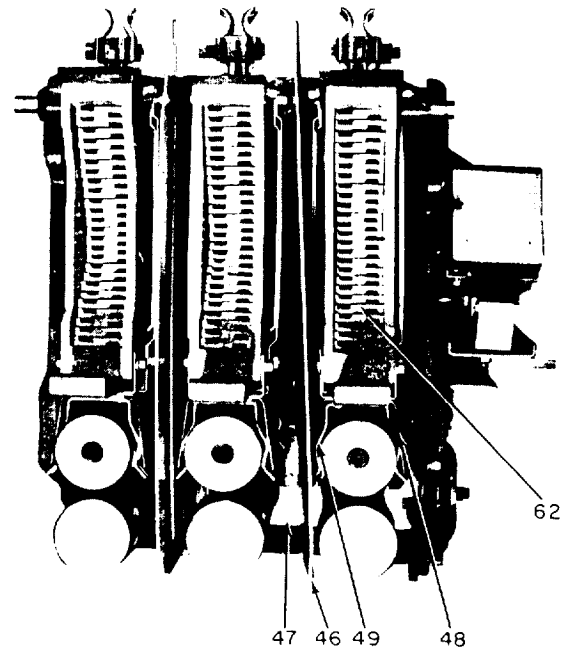
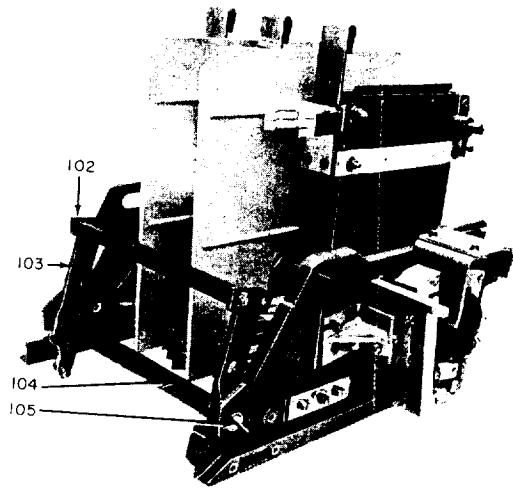
Ref. No.	No. Required for IC2814E-						Catalog Number	Description
	210	211	220	221	230	231		
169	3	3	3	3	3	3	259A5543P1 Block	
170	3	3	3	3	3	3	194B8337P1 Spacer	
171	3	3	3	3	3	3	259A8786P1 Spacer	
‡	6	6	6	6	6	6	N57P16008B6 Screw with lock washer attaching block to pole piece	
‡	3	3	3	3	3	3	N57P16024B6 Bolt attaching block to spacer (10-32, 1 1/2 in. pan hd)	
§	3	3	3	3	3	3	177B8794G1 Arc chute assembly	
	-	3	-	-	-	-	177B8794G3 Arc chute assembly (for IC2814-E211BC only)	
	3	3	3	3	-	-	177B8794G8 Arc chute assembly (for CR2814E-210DB, DC, 211DB, DC, 220DB, DC, 221DB, DC)	
60	3	3	3	3	3	3	501D196P1 Arc chute, left	
61	3	3	3	3	3	3	501D196P2 Arc chute, right	
62	36	36	36	36	36	36	177B3253P3 Arc barrier plate	
	36	36	36	36	36	36	177B3253P4 Arc barrier plate	
	78	78	78	78	78	78	104B9931P1 Arc barrier (for arc chute assembly 177B8794G1 only)	
63	3	3	3	3	3	3	149B1784G2 Arc barrier plate holder	
	3	3	3	3	3	3	194B8338G1 Arcing horn assembly, front	
	-	3	-	-	-	-	194B8338G3 Arcing horn assembly, front (for IC2814-E211BC only)	
64	3	3	3	3	3	3	194B8340P1 Main arcing horn	
	-	3	-	-	-	-	194B8340P4 Main arcing horn (for IC2814-E211BC only)	
65	3	3	3	3	3	3	259A8786P1 Spacer	
66	-	3	3	3	3	3	259A5550P1 Hook-shaped end plate	
	-	6	6	6	6	6	N57P16008B6 Screw fastening spacer or end plate to horn (10-32, 1/2 in. pan hd)	
67	12	12	12	12	12	12	N144P16006C6 Screw with lock washer fastening spacer and end plate to arcing horn (10-32, 5/8 in. pan hd, pro. fin.)	
	3	3	3	3	3	3	194B8338G2 Arcing horn assembly, rear	
	-	3	-	-	-	-	194B8338G4 Arcing horn assembly, rear (for IC2814-E211BC only)	
68	3	3	3	3	3	3	139B8519P2 Main arcing horn	
	-	3	-	-	-	-	194B8340P5 Main arcing horn (for IC2814-E211BC only)	
69	3	3	3	3	3	3	194A7051P1 Block	
	-	3	-	-	-	-	259A5543P3 Block (for IC2814-E211BC only)	
70	3	3	3	3	3	3	194B8337P1 Spacer	
71	3	3	3	3	3	3	259A8786P1 Spacer	
	6	6	6	6	6	6	N57P16008B6 Screw with lock washer attaching block to pole pieces	
	3	3	3	3	3	3	N51P16024B6 Bolt attaching block to spacer (10-32, 1 1/2 in. fl hd, pro. fin.)	
72	3	3	3	3	3	3	139B164G1 Chute block assembly	
73	3	3	3	3	3	3	188A5554G1 Nut plate	
74	6	6	6	6	6	6	577A177P5 Mounting bolt for chute block	
75	9	9	7	7	7	7	N22P23056B6 Clamping bolt (5/16-18, 3 1/2 in. hex. hd, pro. fin.)	
76	1	1	1	1	1	1	194A6900G2 Shaft assembly for left-hand arc chute assembly	
	1	-	1	1	1	1	194A6900G1 Shaft assembly for right-hand arc chute assembly	
77	1	-	1	1	1	1	116C9908P4 Operating shaft-half for shaft assembly	
	1	-	1	1	1	1	116C9908P3 Operating shaft-half for shaft assembly	
78	2	-	2	2	2	2	194A7124P2 Nut plate	
	2	-	2	2	2	2	N23P23064B6 Mounting bolt for nut plate (5/16-18, 4 in. hex. hd, pro. fin.)	
	2	-	2	2	2	2	194A7124P4 Washer for mounting bolt	
79	3	3	3	3	3	3	N22P23056B6 Mounting bolt for stab assembly (5/16-18, 3 1/2 in. hex. hd, pro. fin.)	
80	-	-	12	12	12	12	125A4278P1 Contact finger for stab-on assembly	
81	-	-	12	12	12	12	125A4279P1 Spacer for contact finger	
82	-	-	3	3	3	3	125A4281P1 Retainer	
83	-	-	3	3	3	3	174A4422P1 Spring for stab-on finger	
85	-	-	3	3	3	3	N22P23048B6 Mounting screw for contact fingers (5/16-18, 3 in. hex. hd, pro. fin.)	
86	-	-	6	6	6	6	188A5534P1 Fuse clip	
87	-	-	6	6	6	6	188A5559P1 Spring support	
88	-	-	6	6	6	6	139B8174P12 Connection strap	
89	-	-	6	6	6	6	139B8172P6 Spacer between connection strap and back-up strap	
90	-	-	6	6	6	6	139B8172P2 Back-up strap	
91	-	-	3	3	3	3	188A5543P1 Copper strip	
92	-	-	3	3	3	3	194A1483G1 Fuse bracket	
	-	-	12	12	12	12	577A176P2 Mounting screw for fuse bracket	
93	-	-	6	6	6	6	125A4282P1 Retainer for connection strap	
94	-	-	3	3	3	3	125A4280P1 Retainer	
95	-	-	3	3	3	3	149B1730P1 Insulation for contact fingers	

‡ For IC2814-E210B, 211B, 220B, C, 221B, C, 230B, C and 231B, C only.

§ For IC2814-E210BB, BC, BD, CC, EB, EC, 211BB, BC, BD, BE, EB, EC, 220BB, BC, BF, BH, BY, CC, EB, EC, 221BB, BC, BE, BF, BG, CC, EB, EC, 230BB, BC, CC, EB, EC, EF, 231BB, BC, BD, BF, CC, EB, and EC.

IC2814-E CONTACTORS





IC2814-E CONTACTORS

COMPLETE LIST OF PARTS (CONT'D)

Ref. No.	No. Required for IC2814E-						Catalog Number	Description
	210	211	220	221	230	231		
	1	1	1	1	1	1	177B8719G1	Wheel kit assembly (for IC2814-E210DB, DC, EB, EC, 211DB, EB, 220DB, EB, 221DB, EB, 230DB, EB, EF, 231DB, EB)
97	1	1	1	1	1	1	149B1745G5	Wheel assembly complete with supports, front left
97A	1	1	1	1	1	1	149B1745G7	Wheel assembly complete with supports, front right
99	1	1	1	1	1	1	149B1745G6	Wheel assembly complete with supports, rear right
98	1	1	1	1	1	1	149B1745G8	Wheel assembly complete with supports, rear left
	2	2	2	2	2	2	194A7055P1	Spacer for back wheel supports, left rear
100	1	1	1	1	1	1	174A8801G1	Spacer for front wheel, right front
101	11	11	11	11	11	11	577A177P6	Bolt fastening wheel support to frame, left front
	2	2	2	2	2	2	577A177P3	Bolt fastening wheel support to frame, right front
	1	1	1	1	1	1	149B1757G2	Handle assembly
102	1	1	1	1	1	1	194A7059G1	Handle top
103	2	2	2	2	2	2	149B1767P1	Lever
	2	2	2	2	2	2	194A7058P1	Spring for lever
104	1	1	1	1	1	1	188A5532G1	Handle, bottom
105	2	2	2	2	2	2	188A5688G1	Thumb screw for bottom handle
	2	2	2	2	2	2	TCO #CR12	Cam follower
	1	1	1	1	1	1	259A5532G1	Handle assembly (for CR2814-E210DC, 211DC, EC, 220DC, EC, 221DC, EC, 230DC, EC, 231DC, EC)
	1	1	1	1	1	1	259A5533G1	Handle
	1	1	1	1	1	1	259A5534P1	Handle support
	1	1	1	1	1	1	259A5534P2	Handle support
	2	2	2	2	2	2	259A5535G1	Thumb screw

GENERAL ELECTRIC COMPANY
 INDUSTRIAL CONTROL PRODUCTS DEPARTMENT
 SALEM, VA. 24153

