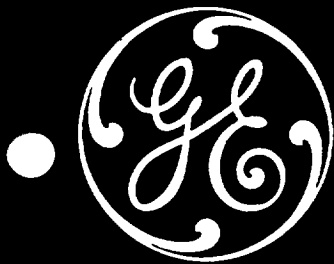


# RENEWAL PARTS

GEF-4343



## IC2800-1180 CONTACTOR

Forms AU, AW, BB, and BC

NOTE:—When ordering parts for a form of the contactor not covered by this bulletin, give reference number, description of part, complete nameplate reading, and above bulletin (GEF) number. Do not use catalog number when form for which the parts are needed is not covered by the bulletin.

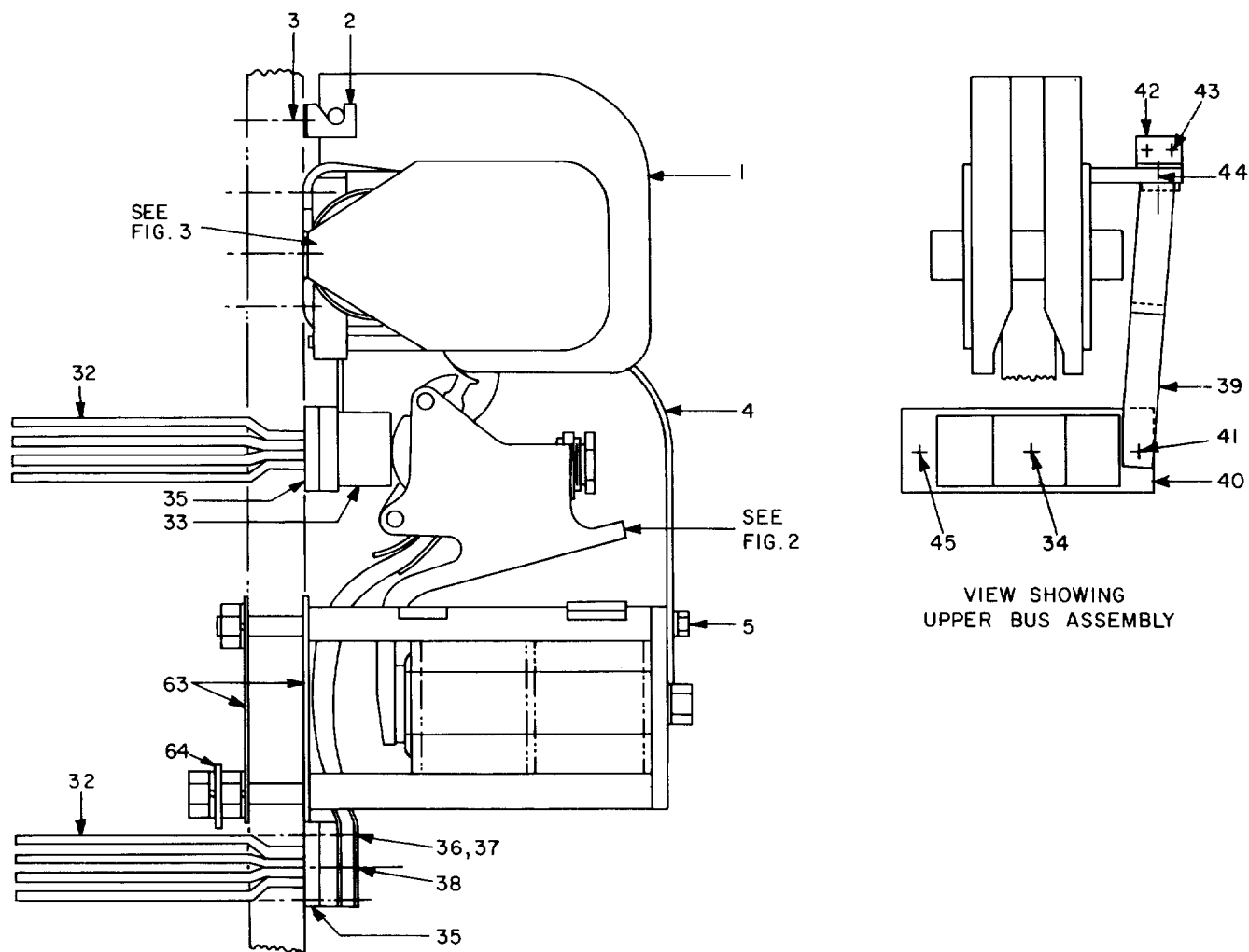


Fig. 1.

When ordering renewal parts, give quantity, catalog number, description of each item required, and complete nameplate reading.

GENERAL  ELECTRIC

## IC2800-1180 CONTACTOR

### PARTS RECOMMENDED FOR NORMAL STOCK

Fig. No.	Ref. No.	Number Required for IC2800-1180-				Catalog Number	Description
		AU	AW	BB	BC		
1	1	1	1	1	1	106B9292G1	Arc chute, complete
3	30	1	1	-	1	2458490	Stationary arcing contact tip
		-	-	1	-	139B8096G1	Stationary arcing contact tip
2	16	1	1	-	1	2459875	Movable arcing contact tip
2	20	1	1	1	1	4338327G2	Shunt for movable arcing contact
2	19	1	1	1	1	2413372	Compression spring for movable arcing contact tip
1	33	1	1	1	1	9034388G2	Main stationary contact
2	9	2	2	2	2	3866756G2	Main movable contact tip
2	14	2	2	2	2	4338327G1	Shunt for main movable contact
2	12	2	2	2	2	2413371	Compression spring for main movable contact
4	53	2	2	2	2	-----	Operating coil (See coil table on page 2)
		Δ	Δ	Δ	Δ	-----	Set of interlock contacts, springs and screws (See interlock table, page 3)

Δ Quantity variable.

### OPERATING COILS, PICK-UP AND HOLDING RESISTORS, RECTIFIERS, AND AUXILIARY CONTACTORS

NOTE: The number following the form letters in the IC designation identifies the operating coils, pick-up or holding resistors, rectifiers, auxiliary contactors, and brackets. Each must be ordered separately from the table below.

EXAMPLE: - IC2800-1178-AU-2-BG requires two Cat. No. 22D63G14 operating coils and one Cat. No. IC9006A100G150EA holding resistor.

Coil No.	Fig. 4, Ref. 53 Coil Cat. No. (2 Req.)	Pick-up Resistor		Holding Resistor		Rectifier		*Auxiliary Contactor †CR Designation (1 Req.)
		Cat. No.	No. Req.	Cat. No.	No. Req.	Cat. No.	No. Req.	
1	22D63G14	IC9006A100G3EA/TH	3	IC9006A100G50EA	1	6RSPD12AHD1	4	CR2810-A14AG
2	22D63G14			IC9006A100G150EA	1			
†3	22D63G14			IC9006A100G50EA	1			
†3	22D63G14			IC9006A100G150EA	1			
4	22D63G15			IC9006A100G250EA	1			
5	22D63G16			IC9006A100G1000EA	1			
6	22D63G16			IC9006A100G50EA	1			
7	†22D63G10			IC9006A100G150EA	1			
8	22D63G3			235L490G29	1			
9	22D63G17			IC9006A100G5EA	1			
10	22D63G12			IC9006A100G10EA	1			
11	22D63G18			IC9006A100G25EA	1			
12	22D63G17			IC9006A200J7.5EA/TH	1			
13	Δ22D63G19	IC9006A200J10EA/TH	1	6RS25PB6AHD1	3	CR2810-A14AC		
14	†22D63G20	††		6RS25PB3AHD1	4	CR2810-A14AG		
15	22D63G14	††		††				
16	22D63G6	††		††				
17	Δ22D63G12	IC9006A100G40EA/TH	2	††				
18	22D63G24	††		6RS25PD12AHD1	2	CR2810-A14AC		
19	22D63G14	††		IC9006A100G25EA	1			
20	22D63G25	††		IC9006A100G50EA	1			
21	22D63G14	††		IC9006A100G10EA/TH	3	6RS25PB3AHD1	2	CR2810-A14AC
22	22D63G17	††		††		††		
22	Δ22D63G17	††		IC9006A100G25EA	1			
23	22D63G17	††		††		6RS25PB6AHD1	1	CR2810-A14AC
24	22D63G27	††		IC9006A100G10EA	1			
25	22D63G5	††		††				
25	†22D63G5	††		IC9006A100G7.5EA	1			
26	22D63G12	††		235L490G28	1	6RS25PB6AHD1	3	CR2810-14AG
27	22D63G5	††		IC9006A100G1.0EA	1			
28	22D63G28	††		IC9006A100G10EA	1			
29	†22D63G17	††	1	IC9006A100G.1EA	1			
				167X185G11	1	6RS25PD12AHD1	4	CR2810-14AG

# IC2800-1180 CONTACTOR

GEF-4343

Coil No.	Fig. 4, Ref. 53 Coil Cat. No. (2 Req.)	Pick-up Resistor		Holding Resistor		Rectifier		*Auxiliary Contactor †CR Designation (1 Req.)					
		Cat. No.	No. Req.	Cat. No.	No. Req.	Cat. No.	No. Req.						
30	22D63G15	IC9006A100G7.5EA/TH	1	IC9006A100G1000EA	1	6RS25PB6AHD1	2	CR2810-14AC					
31	22D63G12			IC9006A100G25EA/TH	3								
‡32	22D63G14			IC9006A100G50EA	1								
‡32	22D63G14			IC9006A100G150EA	1								
‡32	22D63G14			IC9006A100G250EA	1								
33	22D63G15			IC9006A100G1000EA	1								
34	22D63G8	IC9006A100G25EA/TH	1	IC9006A100G100EA/TH	2	6RS25PD12AHD1	2	CR2810-A14AC					
35	Δ22D63G28	IC9006A100G1EA/TH	1	IC9006A100G150EA/TH	1								
36	22D63G14			IC9006A200J7.5EA/TH	2	6RSPB3AHD1	4	CR2810-A14AC					
37	Δ22D63G22	IC9006A100G4EA/TH	1	IC9006A200J75EA/TH	1								
37	¶22D63G22			IC9006A200J100EA/TH	1	6RS25PD12AHD1	4	CR2810-A14AC					
37	¶22D63G22			167X185G12	1								
38	22D63G29	IC9006A100G50EA/TH	1	IC9006A100G200EA/TH	2	6RS22PD12AHD1	2	CR2810-A14AC					
39	22D63G35			IC9006A100G250EA/TH	1								
51	22D63G6	2673249-125		IC9006A100G400EA/TH	1	6RS22PD12AHD1	2	CR2810-A14AC					
52	22D63G14			IC9006A100G350EA/TH	1								
53	22D63G14			2673249-80	1				6RC3K266V	4			
54	22D63G14			2673249-325	1				6RC3B269V	4			
55	22D63G5			2673249-1300	1				6RC3B269V	4			
56	22D63G10			2673249-1600	1				6RC3B269V	4			
58	22D63G14			2673249-1500	1				6RC3B269	4			
∅101	22D63G36			IC9006A100G25EA/TH	2				IC9006A100G100EA/TH	2			
∅102	22D63G23								IC9006A100G100EA/TH	2			
∅104	22D63G15								IC9006A100G500EA/TH	2			
∅109	22D63G9	IC9006A100G7.5EA/TH	2			IC9006A100G100EA/TH	2						
∅110	22D63G37												
∅115	22D63G8												
∅119	22D63G22												
∅122	22D63G17												
∅127	22D63G18												
∅128	22D63G27	IC9006A100G2EA/TH	2			IC9006A100G4EA/TH	2						
∅129	22D63G17												
∅130	22D63G35	IC9006A100G10EA/TH	1	IC9006A100G25EA/TH	1								
		IC9006A100G350EA/TH	2										

\* For parts of auxiliary contactor see GEF-4210.

† Obtain complete CR designation (including coil number and interlock letter suffixes) from auxiliary contactor nameplate.

‡ Order by description and give complete nameplate data for contactor.

¶ Six required for three contactors, coils connected in series.

‡ For 125, 250, or 275 volts respectively.

Δ Four required for two contactors, coils connected in series.

∅ Uses a quantity of 2 brackets, Cat. No. 125A5097P2.

NOTE: The last letter in the IC designation identifies the electrical interlocks.

EXAMPLE: - IC2800-1180-AU-22-BG requires four (4) Cat. No. IC2956A200C interlocks.

Inter-lock Letter	*Location	Interlock Switch Unit Cat. No.	No. Req.	†Interlock Contacts Set Cat. No.	¶Interlock Mounting and Operating Parts		Inter-lock Letter	*Location	Interlock Switch Unit Cat. No.	No. Req.	†Interlock Contacts Set Cat. No.	¶Interlock Mounting and Operating Parts	
					Cat. No.	No. Req.						Cat. No.	No. Req.
B	l	IC2956A200C	1	6960053G3	723B261G1	1	J	ul ur ll,r	IC2956A200C	1	6960053G3	112B9742G2	1
‡C	l,r	IC2956A200C‡	2	6960053G3	723B261G1	2			IC2956A200A	1	6960053G3		
D	r	IC2956A200C	1	6960053G3	723B261G1	1			IC2956A200B	2	6960053G3		
E	ul,r ll,r	IC2956A200C	2	6960053G3	112B9742G2	1	K	ul,ll, r,ur	IC2956A200C	3	6960053G3	112B9742G2	1
		IC2956A200A	2	6960053G3					IC2956A200A	1	6960053G3		
F	ul,r ll,r	IC2956A200C	2	6960053G3	112B9742G2	1	L	ul, ur ll,r	IC2956A200C	1	6960053G3	112B9742G2	1
		IC2956A200B	2	6960053G3					IC2956A200B	1	6960053G3		
G	all	IC2956A200C	4	6960053G3	112B9742G2	1	M	ul ur ll,r	IC2956A200C	1	6960053G3	112B9742G2	1
H	ul,ur ll,r	IC2956A200C	1	6960053G3	112B9742G2	1			IC2956A200B	3	6960053G3		

## IC2800-1180 CONTACTOR

Interlock Letter	*Location	Interlock Switch Unit Cat. No.	No. Req.	†Interlock Contacts Set Cat. No.	‡Interlock Mounting and Operating Parts		Interlock Letter	*Location	Interlock Switch Unit Cat. No.	No. Req.	†Interlock Contacts Set Cat. No.	‡Interlock Mounting and Operating Parts	
					Cat. No.	No. Req.						Cat. No.	No. Req.
N	ul,lr,ur	IC2956A200C	3	6960053G3	112B9742G2	1	BY	ul,ur	IC2956A200C	1	6960053G3	112B9742G1	1
		IC2956A200B	1	6960053G3					IC2956A200B	1	6960053G3		
P	ul,lr,ur	IC2956A200C	2	6960053G3	112B9742G2	1	CE	ul,lr,ur	IC2956A200C	3	6960053G3	112B9742G2	1
		IC2956A200B	1	6960053G3					IC2956A205C	1	6960053G24		
		IC2956A200A	1	6960053G3									
R	ul,lr,ur	IC2956A200C	3	6960053G3	112B9742G2	1	CF	ul,ur	IC2956A200B	1	6960053G3	112B9742G1	1
		IC2956A200A	1	6960053G3					IC2956A200C	1	6960053G3		
S	ul,lr,ur	IC2956A200C	1	6960053G3	112B9742G2	1	DE	ul,lr,ur	IC2956A200C	3	6960053G3	112B9742G2	1
		IC2956A200B	2	6960053G3					IC2956A205C	1	6960053G24		
T	ul,ur	IC2956A200C	1	6960053G3	112B9742G2	1	DF	ul,ur	IC2956A200B	1	6960053G3	112B9742G1	1
		IC2956A200A	2	6960053G3					IC2956A200C	1	6960053G3		
V	ul,ur	IC2956A200C	2	6960053G3	112B9742G2	1	DG	ul,ur	IC2956A200AJ	1	6960053G3	112B9742G1	1
		IC2956A200A	2	6960053G3					IC2956A200AK	1	6960053G3		
W	ul,ur	IC2956A200C	2	6960053G3	112B9742G1	1	DH	ul,ur	IC2956A200AJ	2	6960053G3	112B9742G1	1
		IC2956A200A	1	6960053G3					IC2956A200AH	1	6960053G3		
Y	ul,ur	IC2956A200C	1	6960053G3	112B9742G1	1	DJ	ul,ur	IC2956A200AJ	1	6960053G3	112B9742G1	1
		IC2956A200B	1	6960053G3					IC2956A200AH	1	6960053G3		
‡BB	ul,ur	IC2956A200C	1	6960053G3	112B9742G1	1	HA	u,lo.	IC2956A200A	2	6960053G3	112B9742G3	1
		IC2956A200B	1	6960053G3					IC2956A200A	1	6960053G3		
BE	ul,lr,ur	IC2956A200C	2	6960053G3	723B261G1	1	HB	u,lo.	IC2956A200A	1	6960053G3	112B9742G3	1
		IC2956A200A	2	6960053G3					723B261G2	1	6960053G3		
BF	ul,lr,ur	IC2956A200C	2	6960053G3	112B9742G2	1	HC	u,lo.	IC2956A200A	1	6960053G3	112B9742G3	1
		IC2956A200B	2	6960053G3					IC2956A200C	1	6960053G3		
BG	ul,ur	IC2956A200C	2	6960053G3	112B9742G2	1	HD	u,lo.	IC2956A200B	1	6960053G3	112B9742G3	1
		IC2956A200B	2	6960053G3					IC2956A200A	1	6960053G3		
BH	ul,ur,lr	IC2956A200C	4	6960053G3	112B9742G2	1	HE	u,lo.	IC2956A200B	1	6960053G3	112B9742G3	1
		IC2956A200A	3	6960053G3					IC2956A200C	1	6960053G3		
BJ	ul,ur,lr	IC2956A200C	1	6960053G3	112B9742G2	1	HF	u,lo.	IC2956A200C	2	6960053G3	112B9742G3	1
		IC2956A200A	3	6960053G3					IC2956A200C	1	6960053G3		
BK	ul,ur,lr	IC2956A200C	1	6960053G3	112B9742G2	1	HG	u,lo.	IC2956A200C	1	6960053G3	112B9742G3	1
		IC2956A200A	1	6960053G3					IC2956A200A	1	6960053G3		
BL	ul,ur,lr	IC2956A200C	2	6960053G3	112B9742G2	1	HH	u,lo.	IC2956A200C	1	6960053G3	112B9742G3	1
		IC2956A200B	1	6960053G3					IC2956A200B	1	6960053G3		
BM	ul,ur,lr	IC2956A200C	3	6960053G3	112B9742G2	1	HJ	u,lo.	IC2956A200C	1	6960053G3	112B9742G3	1
		IC2956A200B	3	6960053G3					IC2956A200B	2	6960053G3		
BN	ul,ur,lr	IC2956A200C	1	6960053G3	112B9742G2	1	HK	u,lo.	IC2956A200B	1	6960053G3	112B9742G3	1
		IC2956A200B	1	6960053G3					IC2956A200C	1	6960053G3		
BP	ul,ur,lr	IC2956A200C	2	6960053G3	112B9742G2	1	JA	u,lo.	IC2956A200A	2	6960053G3	112B9742G4	1
		IC2956A200B	1	6960053G3					IC2956A200A	1	6960053G3		
BR	ul,ur,lr	IC2956A200C	3	6960053G3	112B9742G2	1	JB	u,lo.	IC2956A200A	1	6960053G3	112B9742G4	1
		IC2956A200A	1	6960053G3					IC2956A200B	1	6960053G3		
BS	ul,ur,lr	IC2956A200C	2	6960053G3	112B9742G2	1	JC	u,lo.	IC2956A200A	1	6960053G3	112B9742G4	1
		IC2956A200B	1	6960053G3					IC2956A200C	1	6960053G3		
BT	ul,ur,lr	IC2956A200C	3	6960053G3	112B9742G2	1	JD	u,lo.	IC2956A200B	1	6960053G3	112B9742G4	1
		IC2956A200A	1	6960053G3					IC2956A200A	1	6960053G3		
BV	ul,ur	IC2956A200C	1	6960053G3	112B9742G2	1	JE	u,lo.	IC2956A200B	1	6960053G3	112B9742G4	1
		IC2956A200A	1	6960053G3					IC2956A200C	1	6960053G3		
BW	ul,ur	IC2956A200C	1	6960053G3	112B9742G1	1	JF	u,lo.	IC2956A200C	2	6960053G3	112B9742G4	1
		IC2956A200A	1	6960053G3					IC2956A200C	1	6960053G3		
BY	ul,ur	IC2956A200C	1	6960053G3	112B9742G1	1	JG	u,lo.	IC2956A200C	1	6960053G3	112B9742G4	1
		IC2956A200B	1	6960053G3					IC2956A200A	1	6960053G3		
CE	ul,ur,lr	IC2956A200C	2	6960053G3	112B9742G2	1	JH	u,lo.	IC2956A200C	1	6960053G3	112B9742G4	1
		IC2956A200B	1	6960053G3					IC2956A200B	1	6960053G3		
CF	ul,ur	IC2956A200C	2	6960053G3	112B9742G2	1	JJ	u,lo.	IC2956A200C	1	6960053G3	112B9742G4	1
		IC2956A200B	1	6960053G3					IC2956A200B	2	6960053G3		
DE	ul,ur,lr	IC2956A200C	1	6960053G3	112B9742G2	1	JK	u,lo.	IC2956A200C	1	6960053G3	112B9742G4	1
		IC2956A200A	1	6960053G3					IC2956A200B	1	6960053G3		
DF	ul,ur	IC2956A200C	1	6960053G3	112B9742G2	1	JK	u,lo.	IC2956A200B	1	6960053G3	112B9742G4	1
		IC2956A200A	2	6960053G3					IC2956A200C	1	6960053G3		
DG	ul,ur	IC2956A200AJ	1	6960053G3	112B9742G2	1	JK	u,lo.	IC2956A200AK	1	6960053G3	112B9742G1	1
		IC2956A200AK	1	6960053G3									

\* ul, upper left; ur, upper right; ll, lower left; lr, lower right; u, upper; lo., lower.

† Set of interlock contacts includes movable and stationary contacts, springs, and contact-holding screws for one switch unit.

‡ Requires pin Cat. 2480060. Cat. No. of interlocks does not include pin.

§ For mounting and operating parts, see page 8.

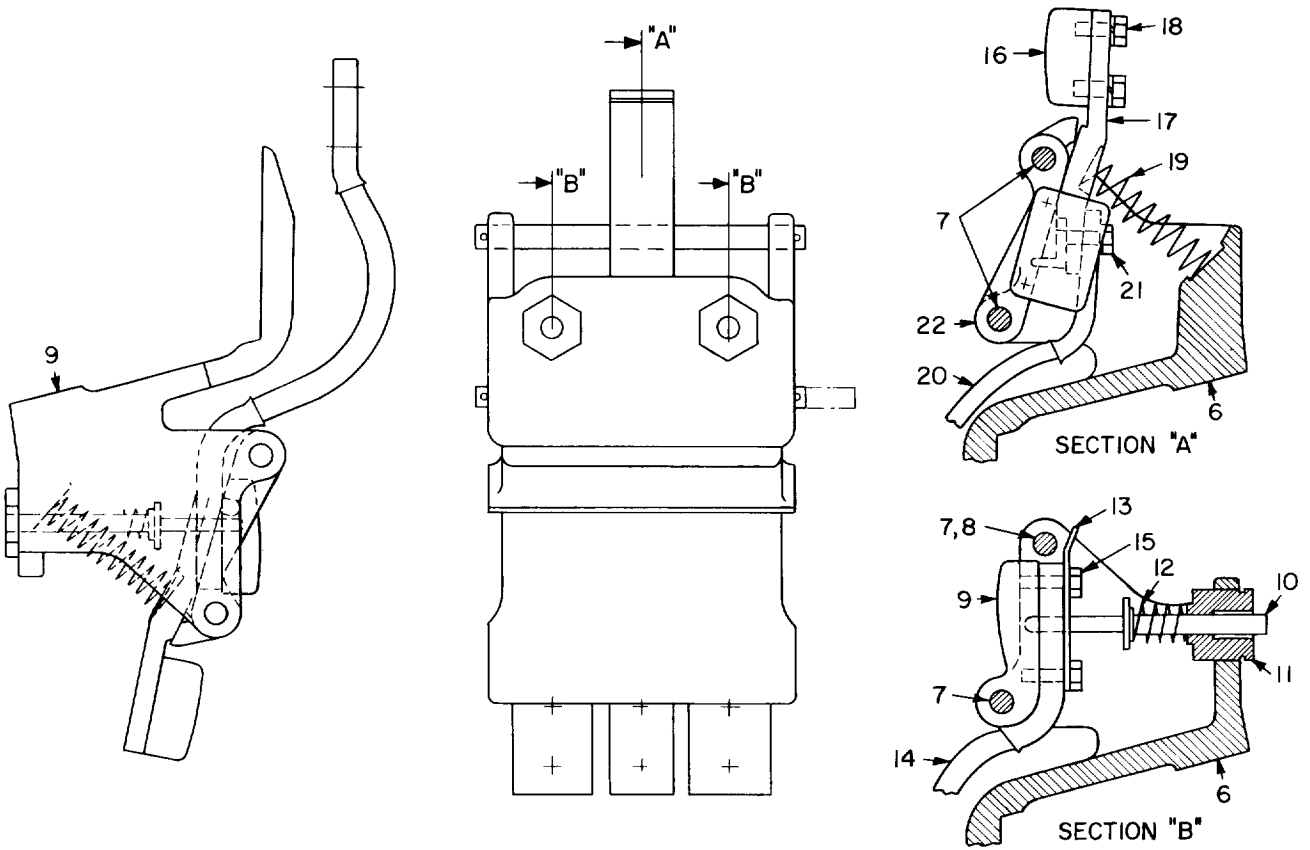


Fig. 2. Armature and moving contact parts

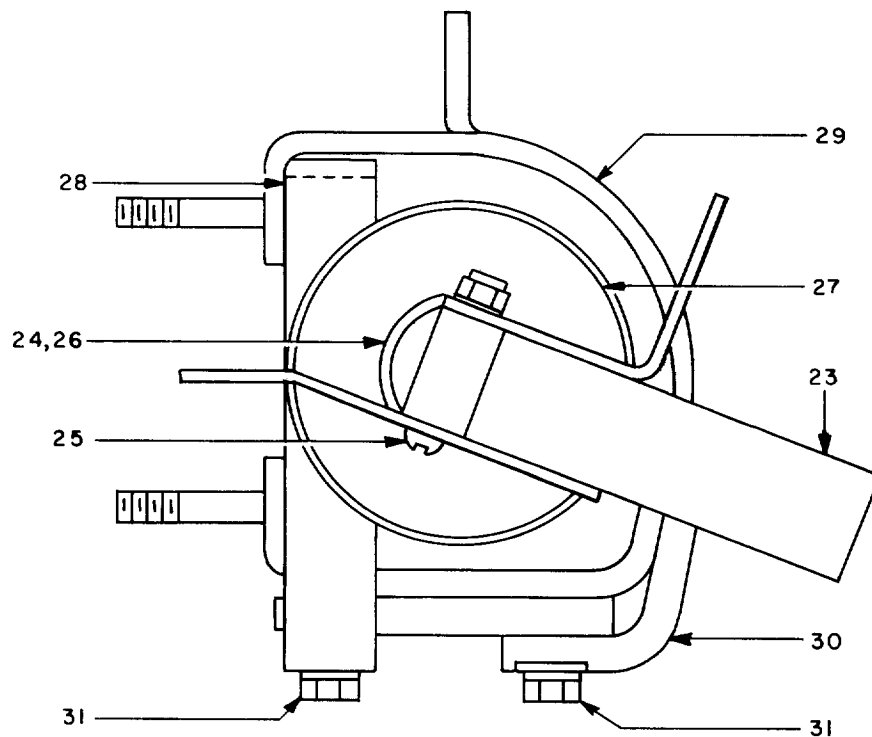


Fig. 3. Blowout coil and stationary contact parts

**IC2800-1180 CONTACTOR**

Fig. No.	Ref. No.	Number Required for IC2800-1180-				Catalog Number	Description
		AU	AW	BB	BC		
1	1	1	1	1	1	106B9292G1	Arc chute, complete
		1	1	1	1	4330804	Arc chute side, right-hand
		1	1	1	1	4330805	Arc chute side, left-hand
		1	1	1	1	2476427	Stud fastening arc chute sides together
1	2	1	1	1	1	N57P21044B6	Screw fastening arc chute sides (1/4-20, 2 3/4 in., pan hd., pro. fin.)
		1	1	1	1	2476452	Support for arc chute, right-hand
1	3	2	2	2	2	2476453	Support for arc chute, left-hand
1	4	1	1	1	1	N22P23040B6	Screw fastening support to base (5/16-18 x 2 1/2 in., pan hd., pro. fin.)
1	5	1	1	1	1	2459880P2	Arcing horn
						N26P23008B6	Screw fastening arcing horn to magnet frame (5/16-18, 1/2 in., hex. hd., pro. fin.)
2	6	1	1	-	-	148B6227P1	Armature bracket
		-	-	1	1	4335197P4	Armature bracket
2	7	2	2	2	2	2459857	Retaining pin for fulcrum support
2	8	4	4	4	4	N503P1212B6	Cotter pin for retaining pin (1/8 by 3/4 in.)
2	9	2	2	2	2	3866756G2	Main movable contact tip
2	10	2	2	2	2	8626315G2	Fulcrum pin for main movable contact
2	11	2	2	2	2	2459876	Adjusting nut for fulcrum pin
2	12	2	2	2	2	2413371	Compression spring for main movable contact
2	13	2	2	2	2	2459864	Stop plate for movable contact
2	14	2	2	2	2	4338327G1	Shunt for main movable contact
2	15	4	4	4	4	N26P23014B6	Screw fastening shunt and stop plate for main movable contact (5/16-18, 7/8 in., hex. hd. slot., pro. fin.)
2	16	1	1	-	1	2459875	Movable arcing contact tip
		-	-	1	-	139B8096G2	Movable arcing contact tip
2	17	1	1	1	1	5303399G1	Tip support
2	18	2	2	2	2	N26P23018B6	Screw fastening arcing contact to support (5/16-18, 1 1/8 in., hex. hd., pro. fin.)
2	19	1	1	1	1	2413372	Compression spring for movable arcing contact
2	20	1	1	1	1	4338327G2	Shunt for movable arcing contact
2	21	1	1	1	1	N26P23012B6	Screw fastening shunt to movable arcing contact support (5/16-18, 3/4 in., hex. hd., slot., pro. fin.)
2	22	1	1	1	1	2833573G1	Fulcrum support with guide plate
3	23	1	1	1	1	2833563G1	Pole piece assembly, left-hand
		1	1	1	1	2833563G2	Pole piece assembly, right-hand
3	24	1	1	1	1	2459443	Magnet core for blowout coil
3	25	1	1	1	1	N22P21032B6	Screw fastening pole pieces to magnet frame (1/4-20, 2 in., hex. hd., pro. fin.)
3	26	1	1	1	1	205A4036P1	Insulation tube for magnet core
3	27	2	2	2	2	125A6760P3	Insulation flange for blowout coil and magnet frame
3	28	1	1	1	1	106B9291G1	Blowout coil
		8	8	8	8	287A103P7	Insulation washer between turns of blowout coil
3	29	1	1	1	1	3865674G1	Support for stationary contact and blowout coil
3	30	1	1	-	1	2458490	Stationary arcing contact tip
		-	-	1	-	139B8096G1	Stationary arcing contact tip
3	31	2	2	2	2	N22P23014B6	Screw fastening blowout coil or stationary contact tip to support (5/16-18, 7/8 in., hex. hd., pro. fin.)
1	32	2	2	2	2	4327715G1	Connection block
1	33	1	1	1	1	9034388G2	Main stationary contact
1	34	2	2	2	2	N22P25028B6	Screw fastening contact tip to connection block 3/8-16, 1 1/4 in., hex. hd., pro. fin.)
1		Δ	Δ	Δ	Δ	5356723	Shim for connection block
1	35	3	3	3	3	194A1872G1	Spacer for connection block
1	36	2	2	2	2	N22P25014B6	Screw fastening arcing contact shunt to connection block (3/8-16, 7/8 in., hex. hd., pro. fin.)
1	37	4	4	4	4	N22P25020B6	Screw fastening main contact shunt (3/8-16, 1 1/4 in., hex. hd., pro. fin.)
1	38	4	4	4	4	286A113P80	Screw fastening connection block to base
1	39	1	1	1	1	129B8774P2	Connection bar
1	40	1	1	1	1	194A1872G1	Spacer for upper bus assembly
1	41	1	1	1	1	286A113P80	Screw fastening connection bar to spacer
1	42	1	1	1	1	147A4711P1	Support bracket for connection bar
1	43	2	2	2	2	N22P23040B6	Mounting screw for support bracket (5/16-18, 2 1/4 in., hex. hd., pro. fin.)
1	44	1	1	1	1	N25P25020B6	Screw fastening connection bar to blowout coil and support bracket (3/8-16, 1 1/8 in., hex. hd., pro. fin.)
1	45	1	1	1	1	286A113P80	Mounting screw for spacer

Δ Quantity variable.

# IC2800-1180 CONTACTOR

GEF-4343

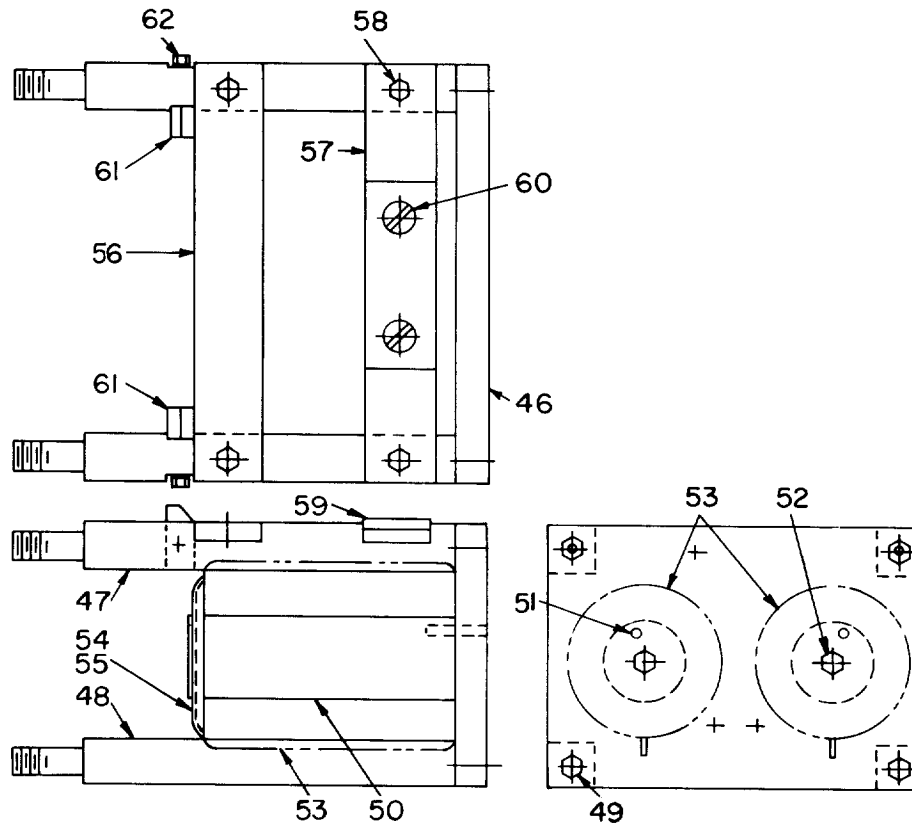
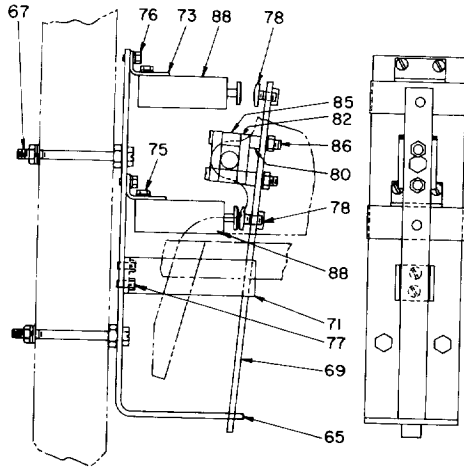


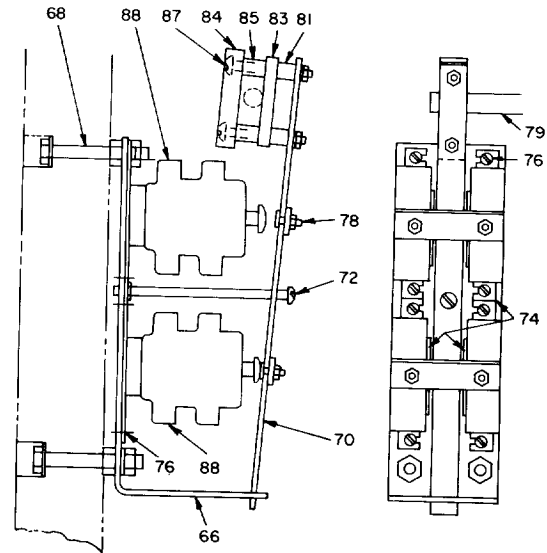
Fig. 4. Magnet frame and associated parts

Fig. No.	Ref. No.	Number Required for IC2800-1180-				Catalog Number	Description
		AU	AW	BB	BC		
4	46	1	1	1	1	3867766	End plate for magnet frame
4	47	1	1	1	1	205A8965P1	Support post for end plate, upper
		1	1	1	1	205A8965P2	Support post for end plate, upper
4	48	2	2	2	2	2459865	Support post for end plate, lower
4	49	4	4	4	4	N22P29020B6	Bolt fastening end plate to support (1/2-13, 1 1/4 in., hex. hd., pro. fin.)
4	50	2	2	2	2	8072651G2	Magnet core for operating coil
4	51	2	2	2	2	N509P1920	Dowel pin for magnet core (3/16 by 1 1/4 in.)
4	52	2	2	2	2	N22P33024B6	Bolt fastening end plate to magnet core (5/8-11, 1 1/2 in., hex. hd., pro. fin.)
4	53	2	2	2	2	See coil table	Operating coil
4	54	2	2	2	2	8626009P10	Retaining washer for operating coil
4	55	2	2	2	2	147A5848P6	Spacer for operating coil
4	56	1	1	1	1	2459872	Fulcrum bar for armature
4	57	1	1	1	1	2459873	Stop bar for armature
4	58	4	4	4	4	N22P25016B6	Screw fastening fulcrum bar or stop bar to support (3/8-16, 1 in., hex. hd., pro. fin.)
4	59	1	1	1	1	2459874	Stop plate for stop bar
4	60	2	2	2	2	N51P16008B6	Screw fastening stop plate to stop bar (10-32, 1/2 in., fl. hd., pro. fin.)
4	61	2	2	2	2	2459871	Guide for armature
4	62	2	2	2	2	N26P21016B6	Screw fastening armature guide to upper support post (1/4-20, 1 in. hex. hd. slot., pro. fin.)
1	63	4	4	4	4	6958533P3	Pad between magnet frame and base
1	64	1	1	1	1	2470912	Connection strip for magnet frame

**IC2800-1180 CONTACTOR**



**Fig. 5. Cat. 723B261G1 or -G2 parts**



**Fig. 6. Cat. 112B9742G1, -G2, -G3 or -G4 parts**

Fig. No.	Ref. No.	Number Required for						Catalog Number	Description
		723B261G1	723B261G2	112B9742G1	112B9742G2	112B9742G3	112B9742G4		
5	65	1	1	-	-	-	-	723B262P1	Supporting bracket for operating arm
6	66	-	-	1	1	-	-	112B9784P1	Supporting bracket for operating arm
5	67	3	3	-	-	-	-	194A7524P1 N26P21048B	Supporting bracket for operating arm
6	68	-	-	3	3	2	2	N22P23040B	Screw fastening supporting bracket to base (1/4-20, 3 in. hex. hd., pro. fin.)
5	69	1	1	-	-	-	-	723B262P3	Screw fastening supporting bracket to base (5/16-18, 2 1/4 in., hex. hd., pro. fin.)
6	70	-	-	1	1	-	-	723B262P2	Operating arm for interlocks
5	71	1	1	-	-	-	-	194A7524P1	Operating arm for interlocks
6	72	-	-	1	1	1	1	723B262P2 N57P16064B6	Operating arm for interlocks
5	73	Δ	Δ	Δ	-	-	-	574A240P1	Guide for operating arm
6	74	-	-	Δ	Δ	Δ	Δ	575A555P1	Guide screw for operating arm (10-32, 4 in., pan hd. slot., pro. fin.)
5	75	Δ	Δ	Δ	Δ	Δ	Δ	119A4655P5	Support bracket for interlock
5,6	76	Δ	Δ	Δ	Δ	Δ	Δ	N112P15006B6	Support bracket for interlock
5	77	2	2	-	-	-	-	N112P15006B6	Screw fastening interlock to bracket (2 required per interlock)
5,6	78	2	2	2	4	2	2	N96P16012B	Screw fastening interlock support bracket to operating arm support (8-32, 3/8 in., thread-cutting, pro. fin.)
6	79	-	-	1	1	-	-	147A5788P1	Screw fastening operating arm guide to support (8-32, 3/8 in., thread-cutting, pro. fin.)
5	80	2	2	-	-	-	-	147A5788P1	Weld screw, to operate interlock switch unit plunger (10-32, 3/4 in., pro. fin.)
6	81	-	-	2	2	2	2	287A874P8	Operating pin
5	82	2	2	-	-	-	-	287A874P12	Operating pin
6	83	-	-	1	1	1	1	2477673P1	Spacer between operating arm and inner clamp
6	84	-	-	1	1	1	1	147A5811P1	Spacer between operating arm and inner clamp
5,6	85	2	2	2	2	2	2	2477688P1	Inner or outer clamp for spacer
5	86	2	2	-	-	-	-	N57P16032B	Inner clamp for pin
6	87	-	-	2	2	2	2	N57P15032B	Outer clamp for pin
5,6	88	‡	‡	‡	‡	‡	‡	See interlock table	Spacer between inner and outer clamp
									Screw fastening inner and outer clamps and spacers to operating arm (10-32, 2 in., pan hd., slot., pro. fin.)
									Screw fastening inner and outer clamps and spacers to operating arm (8-32, 2 in., pan hd., slot., pro. fin.)
									Electrical interlock

Δ As required.  
‡ Quantity variable.