

RENEWAL PARTS

IC2800-EA900 CONTACTORS

Forms A, B, C, D, E, and F

NOTE:—When ordering parts for a form of the contactor not covered by this bulletin, give reference number, description of part, complete nameplate reading, and above bulletin (GEF) number. Do not use catalog number when form for which the parts are needed is not covered by the bulletin.

PARTS RECOMMENDED FOR NORMAL STOCK

Ref. No.	No. Req'd for IC2800-EA900-						Catalog Number	Description
	A	B	C	D	E	F		
1	1	1	1	1	1	1	----- Operating coil (see table below)	
	Δ	Δ	Δ	Δ	Δ	Δ	----- Set of interlock contacts (see table on page 2)	
11	1	1	-	1	-	1	273A2426G1 Movable contact tip complete with contact tip, arcing horn, screws and washers	
11A	1	1	1	1	1	1	273A2425P1 Movable contact tip only	
26A	1	1	-	1	-	1	259A5562G1 Stationary contact tip	
26A	-	-	1	-	1	-	8617100P1 Stationary contact tip	
22	1	-	1	1	1	1	171B3805G2 Shunt for movable contact	
	-	1	-	-	-	-	171B3805G1 Shunt	
25	1	1	1	1	1	1	259A5572 Compression spring for movable contact	
	1	1	-	1	-	1	9004383P1 Arc chute side, right-hand	
	1	1	-	1	-	1	9004334P1 Arc chute side, left-hand	

Δ Quantity variable

OPERATING COILS, RECTIFIERS, PICK UP RESISTORS (1 Required)

NOTE: The numbers following the form letters in the IC designation identify the operating coils, rectifiers and pick up resistors.

EXAMPLE: IC2800EA900A2B requires coil No. 2 Cat. No. 22D75G2A, rectifier IC3500A403C5, pick up resistor A100G750EA-TH.

Coil No.	Coil Cat. No.	Rectifier Cat. No.	Pick Up Resistor Cat. No.	Coil No.	Coil Cat. No.	Rectifier Cat. No.	Pick Up Resistor Cat. No.
2	22D75G2A	-----	-----	16	22D75G3A	-----	-----
2	22D75G2A	IC3500A403C5	A100E750EA-TH	17	22D75G6A	-----	-----
2	22D75G2A	IC3500A403C8	A100E1250EA-TH	18	22D75G16A	-----	-----
3	22D75G3A	-----	-----	18	22D75G16A	IC3500A403C5	A100E25EA-TH
3	22D75G3A	IC3500A403C6	A100E250EA-TH	19	22D75G17A	-----	-----
4	22D75G11A	-----	-----	20	22D75G2A	-----	-----
5	22D75G5A	-----	-----	21	22D75G2A	-----	-----
6	22D75G19A	-----	-----	22	22D75G21A	-----	-----
7	22D75G15A	-----	-----	23	22D75G11A	-----	-----
7	22D75G15A	IC3500A403C2	A100E25EA-TH	24	22D75G18A	-----	-----
8	22D75G27A	-----	-----	25	22D75G5A	-----	-----
9	22D75G14A	-----	-----	26	22D75G5A	-----	-----
10	22D75G8A	-----	-----	27	22D75G19A	-----	-----
11	22D75G7A	-----	-----	28	22D75G19A	-----	-----
12	22D75G4A	-----	-----	29	22D75G13A	-----	-----
12	22D75G4A	IC3500A403C6	A100E75EA-TH	38	22D75G26A	-----	-----
13	22D75G10A	-----	-----	39	22D75G28A	-----	-----
13	22D75G10A	IC3500A403C2	-----	40	22D75G25A	-----	-----
14	22D75G24A	-----	-----	41	22D75G23A	-----	-----
15	22D75G3A	-----	-----	42	22D75G9A	-----	-----

When ordering renewal parts, give quantity, catalog number, description of each item required, and complete nameplate reading.



IC2800-EA900 CONTACTORS

ELECTRICAL INTERLOCKS

NOTE: The interlock is identified by the letter following the coil number in the IC designation.

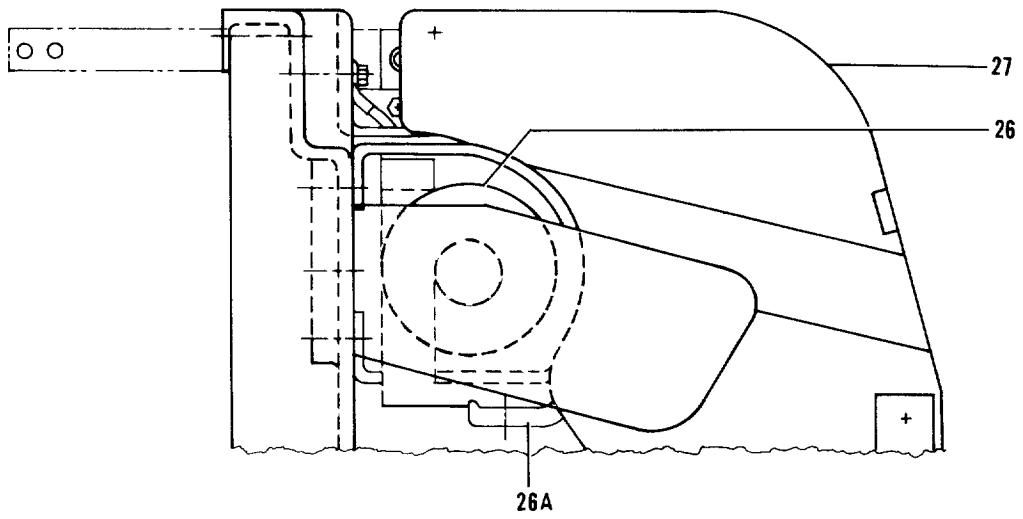
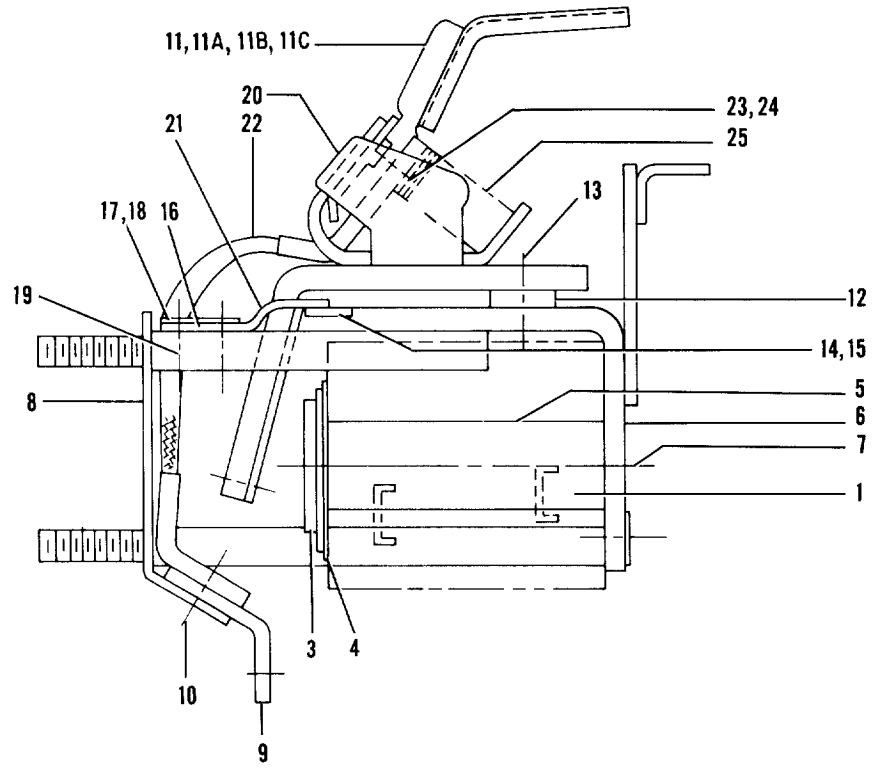
EXAMPLE: IC2800EA900A2B requires interlock letter B, Cat. No. IC2956A200C.

Interlock Letter	Interlock Switch Unit		Mounting Kit (1 per Intl'k)	*Set of Contacts (1 Intl'k)	Interlock Letter	Interlock Switch Unit		Mounting Kit (1 per Intl'k)	*Set of Contacts (1 Intl'k)
	Left-hand	Right-hand				Left-hand	Right-hand		
	Cat. No.	Cat. No.				Cat. No.	Cat. No.		
B	IC2956A200C	-----	IC2956A203E	6960053G3	BH	IC2956A200B	IC2956A200AA	IC2956A203E	6960053G3
C	IC2956A200A	-----	IC2956A203E	6960053G3				IC2956A203E	6960053G23
D	IC2956A200B	-----	IC2956A203E	6960053G3	BJ	IC2956A200B	IC2956A200AC	IC2956A203E	6960053G3
E	-----	IC2956A200C	IC2956A203E	6960053G3				IC2956A203E	6960053G23
F	-----	IC2956A200A	IC2956A203E	6960053G3	BK	IC2956A200B	IC2956A200AB	IC2956A203E	6960053G3
G	-----	IC2956A200B	IC2956A203E	6960053G3				IC2956A203E	6960053G22
H	IC2956A200A	IC2956A200A	IC2956A203E	6960053G3	BL	IC2956A200A	IC2956A205A	IC2956A203E	6960053G3
J	IC2956A200B	IC2956A200B	IC2956A203E	6960053G3				IC2956A203E	6960053G24
K	IC2956A200C	IC2956A200C	IC2956A203E	6960053G3	BM	IC2956A200A	IC2956A205C	IC2956A203E	6960053G3
L	IC2956A200C	IC2956A200A	IC2956A203E	6960053G3				IC2956A203E	6960053G24
M	IC2956A200C	IC2956A200B	IC2956A203E	6960053G3	BN	IC2956A200A	IC2956A205B	IC2956A203E	6960053G3
N	IC2956A200A	IC2956A200C	IC2956A203E	6960053G3				IC2956A203E	6960053G24
P	-----	IC2956A200AJ	IC2956A203E	6960053G3	BP	IC2956A200C	IC2956A205A	IC2956A203E	6960053G3
AB	IC2956A200AC	-----	IC2956A203E	6960053G22				IC2956A203E	6960053G24
AC	IC2956A200AA	-----	IC2956A203E	6960053G22	BR	IC2956A200C	IC2956A205C	IC2956A203E	6960053G3
AD	IC2956A200AB	-----	IC2956A203E	6960053G22				IC2956A203E	6960053G24
AE	-----	IC2956A200AC	IC2956A203E	6960053G22	BS	IC2956A200C	IC2956A205B	IC2956A203E	6960053G3
AF	-----	IC2956A200AA	IC2956A203E	6960053G22				IC2956A203E	6960053G24
AG	-----	IC2956A200AB	IC2956A203E	6960053G22	BT	IC2956A200B	IC2956A205A	IC2956A203E	6960053G3
AH	IC2956A200AA	IC2956A200AA	IC2956A203E	6960053G22				IC2956A203E	6960053G24
AJ	IC2956A200AB	IC2956A200AB	IC2956A203E	6960053G22	BV	IC2956A200B	IC2956A205B	IC2956A203E	6960053G24
AK	IC2956A200AC	IC2956A200AC	IC2956A203E	6960053G22				IC2956A203E	6960053G3
AL	IC2956A200AC	IC2956A200AA	IC2956A203E	6960053G22	BW	IC2956A200B	IC2956A205B	IC2956A203E	6960053G24
AM	IC2956A200AC	IC2956A200AB	IC2956A203E	6960053G22				IC2956A203E	6960053G24
BB	IC2956A200A	IC2956A200AA	IC2956A203E	6960053G3	CB	IC2956A205C	-----	IC2956A203E	6960053G24
			IC2956A203E	6960053G22	CC	IC2956A205A	-----	IC2956A203E	6960053G24
BC	IC2956A200A	IC2956A200AC	IC2956A203E	6960053G3	CD	IC2956A205B	-----	IC2956A203E	6960053G24
			IC2956A203E	6960053G22	CE	-----	IC2956A205C	IC2956A203E	6960053G24
BD	IC2956A200A	IC2956A200AD	IC2956A203E	6960053G3	CF	-----	IC2956A205A	IC2956A203E	6960053G24
			IC2956A203E	6960053G23	CG	-----	IC2956A205B	IC2956A203E	6960053G24
BE	IC2956A200C	IC2956A200AE	IC2956A203E	6960053G3	CH	IC2956A205A	IC2956A205A	IC2956A203E	6960053G24
			IC2956A203E	6960053G23	CJ	IC2956A205B	IC2956A205B	IC2956A203E	6960053G24
BF	IC2956A200C	IC2956A200AC	IC2956A203E	6960053G3	CK	IC2956A205C	IC2956A205C	IC2956A203E	6960053G24
			IC2956A203E	6960053G22	CL	IC2956A205C	IC2956A205A	IC2956A203E	6960053G24
BG	IC2956A200C	IC2956A200AB	IC2956A203E	6960053G3				IC2956A203E	6960053G24
			IC2956A203E	6960053G22	CM	IC2956A205C	IC2956A205B	IC2956A203E	6960053G24

* Includes movable and stationary contacts, springs, and contact-holding screws.

IC2800-EA900 CONTACTORS

GEF-4594



IC2800-EA900 CONTACTORS

COMPLETE LIST OF PARTS

Ref. No.	Number Required for IC2800EA900-						Catalog Number	Description
	A	B	C	D	E	F		
3	1	1	1	1	1	1	8626009P4	Retaining washer for coil
4	AR	AR	AR	AR	AR	AR	147A5848P5	Shim washer (use as required to insure that coil is snug)
5	1	1	1	1	1	1	5304780G3	Magnet core for operating coil
6	1	1	1	1	1	1	8650023G2	Magnet frame for operating coil
7	1	1	1	1	1	1	N22P29016B6	Screw fastening magnet core to magnet frame (1/2-13, 1 in. hex., pro. fin.)
8	1	1	1	1	1	1	5300385P1	Connection plate for magnet frame
9	1	1	1	1	1	1	259A5553P1	Terminal for connection plate
10	2	2	2	2	2	2	N62P29020B6	Carriage bolt fastening shunt and terminal to connection plate (1/2-13, 1 1/4 in. pro. fin.)
11	1	1	-	1	-	1	273A2426G1	Movable contact tip complete with contact tip, arcing horn, screws and washers
11A	1	1	1	1	1	1	273A2425P1	Movable contact tip
11B	1	1	1	1	1	1	273A2424P1	Arcing horn
11C	2	2	2	2	2	2	N170P13006C6	Screw fastening arcing horn to contact tip (6-32, 3/8 in. hex. socket hd, pro. fin.)
12	1	1	1	1	1	1	8067092P3	Stop plate for armature
13	1	1	1	1	1	1	N144P16010B6	Screw with lock washer fastening stop plate to magnet frame
14	1	1	1	1	1	1	8650024P2	Fulcrum plate for armature, stationary
15	2	2	2	2	2	2	N144P21010C	Screw with lock washer fastening stationary fulcrum plate to magnet frame
16	2	2	2	2	2	2	8690203P2	Fulcrum retainer for movable fulcrum plate
17	1	1	1	1	1	1	8616461P1	Clamping strip for fulcrum retainer
18	2	2	2	2	2	2	N25P21010B6	Screw fastening fulcrum retainer and clamping strip to magnet frame
19	2	2	2	2	2	2	8616460P1	Dowel screw for fulcrum retainer and clamping strip
20	1	-	1	1	1	1	8087245G1	Armature with support for movable contact
	-	1	-	-	-	-	8087245G5	Armature with support for movable contact
21	1	1	1	1	1	1	8650025P1	Fulcrum plate for armature, movable
22	1	-	1	1	1	1	171B3805G2	Shunt for movable contact
	-	1	-	-	-	-	171B3805G1	Shunt for movable contact
23	1	1	1	1	1	1	8617336P1	Screw fastening shunt to movable contact
24	1	1	1	1	1	1	8617337P1	Washer for screw (Cat. No. 8617336)
25	1	1	1	1	1	1	259A5572	Compression spring for movable contact
26	1	1	-	1	-	1	202B1627G1	Blowout coil with support for stationary contact
26A	1	1	-	1	-	1	259A5562G1	Stationary contact tip
26A	-	-	1	-	1	-	8617100P1	Stationary contact tip
27	1	1	-	1	-	1	117A7313G1	Arc chute complete with support, screws, nuts and washers
	1	1	-	1	-	1	9004333P1	Arc chute side, right-hand
	1	1	-	1	-	1	9004334P1	Arc chute side, left-hand
	1	1	-	1	-	1	N57P21028B	Screw fastening arc chute sides together (1/4-20, 1 3/4 in. pan hd, pro. fin.)
	-	-	1	-	-	-	254A5881P1	Stationary contact support
	-	-	-	-	1	-	5341043G10	Stationary contact support assembly
	-	-	1	-	1	-	N22P29032B	Screw fastening stationary contact tip to support

GENERAL ELECTRIC COMPANY
COMPONENT AND DEVICES SALES
DRIVE SYSTEMS DEPARTMENT
SALEM, VA 24153

GENERAL  ELECTRIC