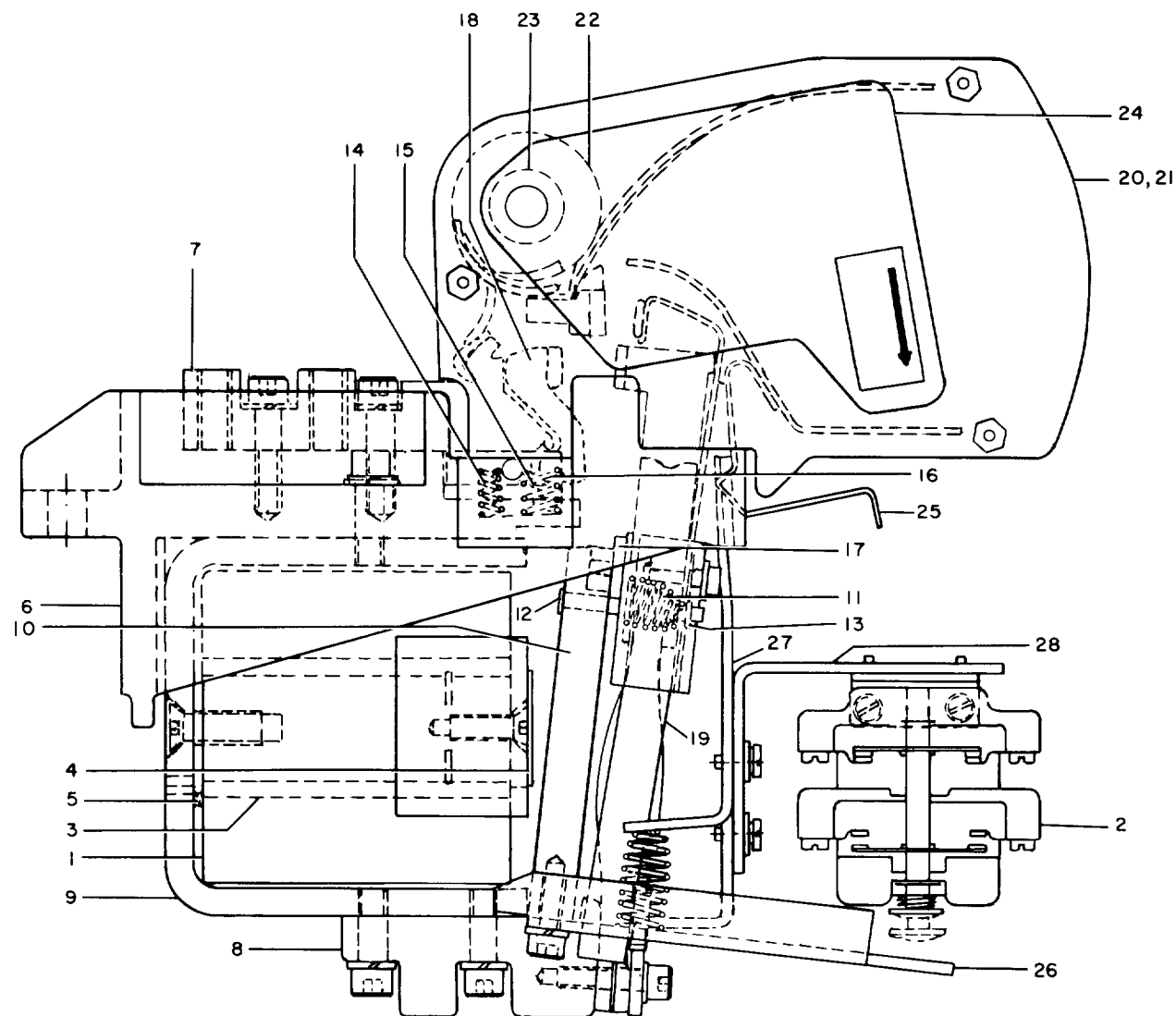
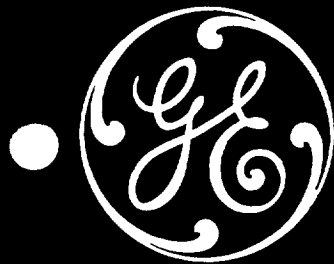


# RENEWAL PARTS

## DS2800-C300 CONTACTORS

Forms A,B,C, and D



When ordering renewal parts, give quantity, catalog number, description of each item required, and complete nameplate reading.

GENERAL  ELECTRIC

**DS2800-C300 CONTACTORS**

PARTS RECOMMENDED FOR NORMAL STOCK

| Ref. No. | Catalog Number | No. Req'd. | Description   |
|----------|----------------|------------|---|
| 1        | -----          | 1          | Operating coil (see table below)  |
| 2        | -----          | Δ          | Set of interlock contacts (see table below)                             |
| 18       | 259A8124G      | 1          | Stationary contact tip  |
|          | 259A8111G1     | 1          | Spring for movable contact  |
| 11       | 259A8123       | 1          | Armature spring   |
| 19       | 195B4013G1     | 1          | Shunt, movable contact tip and support assembly                         |
| 20       | 195B4050G1     | 1          | Arc chute assembly complete with blowout coil, arc horn and pole pieces |
| 22A      | 259A8126G1     | 1          | Stationary arc tip  |

ΔIf interlock is used, a quantity of one set is required for each interlock.

Ref. No. 1 - OPERATING COILS - 1 Required

NOTE: The operating coil is identified by the number following the form letter in the DS designation.

EXAMPLE: DS2800C300A121A requires coil number 121, Cat. No. 195B4048G2.

| Coil No. | Catalog Number | Coil No. | Catalog Number | Coil No. | Catalog Number |
|----------|----------------|----------|----------------|----------|----------------|
| 121      | 393B162G2      | 123      | 393B162G4      | 125      | 393B162G6      |
| 122      | 393B162G3      | 124      | 393B162G5      |          |                |

ELECTRICAL INTERLOCKS

NOTE: The interlock is identified by the letter, or letter and number, following the coil number in the IC designation.

EXAMPLE: DS2800C300A121B requires interlock letter B, Cat. No. DS2956A200H.

| Interlock Letter | Interlock Switch Unit Cat. No. | δ Set of Interlock Contacts Cat. No. | Interlock Bracket Cat. No. | Interlock Cover Cat. No. |
|------------------|--------------------------------|--------------------------------------|----------------------------|--------------------------|
| B                | IC2956A200H                    | 6960053G2                            | 259A8749P1                 | 136C2527P1               |
| C                | IC2956A200G                    | 6960053G2                            | 259A8749P1                 | 136C2527P1               |
| D                | IC2956A200B                    | 6960053G3                            | 259A8749P1                 | 136C2527P1               |
| E                | IC2956A200C                    | 6960053G3                            | 259A8749P1                 | 136C2527P1               |
| F                | IC2956A200A                    | 6960053G3                            | 259A8749P1                 | 136C2527P1               |
| G                | IC2956A200H                    | 6960053G2                            | 259A8749P1                 | 136C2527P1               |
| H                | IC2956A200C                    | 6960053G3                            | 259A8749P1                 | 136C2527P1               |
| J                | IC2956A200C                    | 6960053G3                            | 259A8749P1                 | 136C2527P1               |
| K                | IC2956A200C                    | 6960053G3                            | 259A8749P1                 | 136C2527P1               |
| L                | IC2956A200A                    | 6960053G3                            | 259A8749P1                 | 136C2527P1               |

δ Includes movable and stationary contacts, springs and contact holding screws.

COMPLETE LIST OF PARTS

| Ref. No. | Catalog Number | No. Req'd | Description                      |
|----------|----------------|-----------|----------------------------------|
| 1        | -----          | 1         | Operating coil (see table)       |
| 2        | -----          | -         | Interlock (see table)            |
| 3        | 259A5248P2     | 1         | Magnet core                      |
| 4        | 359A5249P1     | 1         | Core head (Forms A, B, D)        |
| 4        | 233A1897P1     | 1         | Core head (Form C)               |
| 5        | WBD            |           |                                  |
|          | #W1819-020     | 1         | Spring washer for operating coil |
| 6        | 918D622P1      | 1         | Base                             |
| 7        | 259A8125G1     | 1         | Top connector                    |
| 8        | 259A5245P1     | 1         | Bottom connector                 |
| 9        | 259A5241P1     | 1         | Yoke                             |
| 10       | 259A8106G1     | 1         | Armature and shim assembly       |
|          | 259A5242P1     | 1         | Armature                         |
|          | 259A5243P1     | 1         | Shim                             |
|          | 233A1898G1     | 1         | Holding yoke assembly (Form C)   |

## DS2800-C300 CONTACTORS

GEF-4605

### COMPLETE LIST OF PARTS (CONT'D)

| Ref.<br>No. | Catalog<br>Number | No.<br>Req'd | Description   |
|-------------|-------------------|--------------|---|
|             | 233A1892P1        | 1            | Armature  |
|             | 233A1893G1        | 1            | Yoke  |
|             | 259A5243P1        | 1            | Shim  |
| 11          | 259A8123          | 2            | Armature spring   |
| 12          | 259A5265P1        | 2            | Pin for armature spring   |
| 13          | 5755041P1         | 2            | Hairpin cotter for armature spring  |
| 14          | 259A8122P1        | 2            | Rear spring   |
| 15          | 259A8121P1        | 2            | Front spring  |
| 16          | 259A5259P1        | 2            | Front spring cover  |
| 17          | 259A8117P1        | 1            | Teflon bushing  |
| 18          | 259A8124G1        | 2            | Stationary contact tip  |
| 19          | 195B4013G1        | 1            | Shunt, movable contact tip and support assembly   |
|             | 259A8116G1        | 1            | Shunt   |
|             | 259A8114G1        | 1            | Movable contact tip   |
|             | 259A8130G1        | 1            | Support for movable contact tip   |
|             | 259A8111G1        | 1            | Spring for movable contact  |
| 20          | 195B4050G1        | 1            | Arc chute assembly complete with blowout coil assembly, arc horn assembly and pole pieces |
| 21          | 918D621P1         | 1            | Arc chute side, left-hand   |
|             | 918D621P2         | 1            | Arc chute side, right-hand  |
| 22          | 259A8127G1        | 1            | Blowout coil assembly   |
| 23          | 259A5248P1        | 1            | Core for blowout coil   |
| 24          | 259A5247P1        | 2            | Pole piece  |
| 25          | 259A5258G1        | 1            | Arc horn assembly   |
| 26          | 259A5244P1        | 1            | Interlock actuator  |
| 27          | 194B8322P1        | 1            | Interlock and spring support  |
| 28          | 259A5246P1        | 1            | Interlock bracket (Forms A, B and C)  |
| 28          | 273A3906P2        | 1            | Interlock bracket (Form D)  |

**GENERAL ELECTRIC COMPANY  
COMPONENTS AND EQUIPMENT SALES  
DRIVE SYSTEMS DEPARTMENT  
SALEM, VA 24153**

**GENERAL  ELECTRIC**