

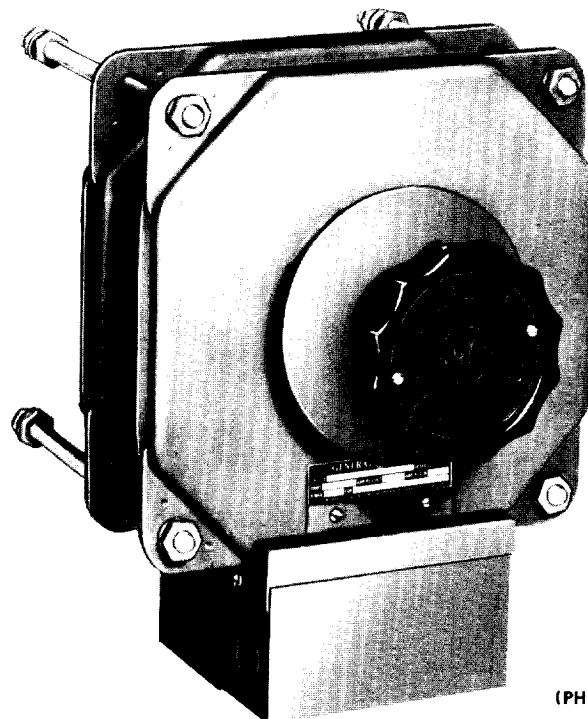
RENEWAL PARTS

GEF-3644B
Supersedes GEF-3644A

IC8000-EB AND IC8070-EB PLATE-TYPE RHEOSTATS

(also CR8000-EB and CR8070-EB)

IC8000-EB- and IC8070-EB-101AA, -102AA, -103AA, -104AA,
201AA, -202AA, -203AA, and -204AA
9-inch Plate



(PHOTO 1071135)

IC8070-EB201AA Plate-type rheostat

Ref.No. 1 - RESISTANCE PLATES

When ordering Resistance Plates, the group number suffix must be added to the resistance plate root Cat.No. The last number in the Cat.No. designation identifies the resistance plate group number.

Example: - CR8000-EB-101-AA-12 requires resistance plate 3246909G12.

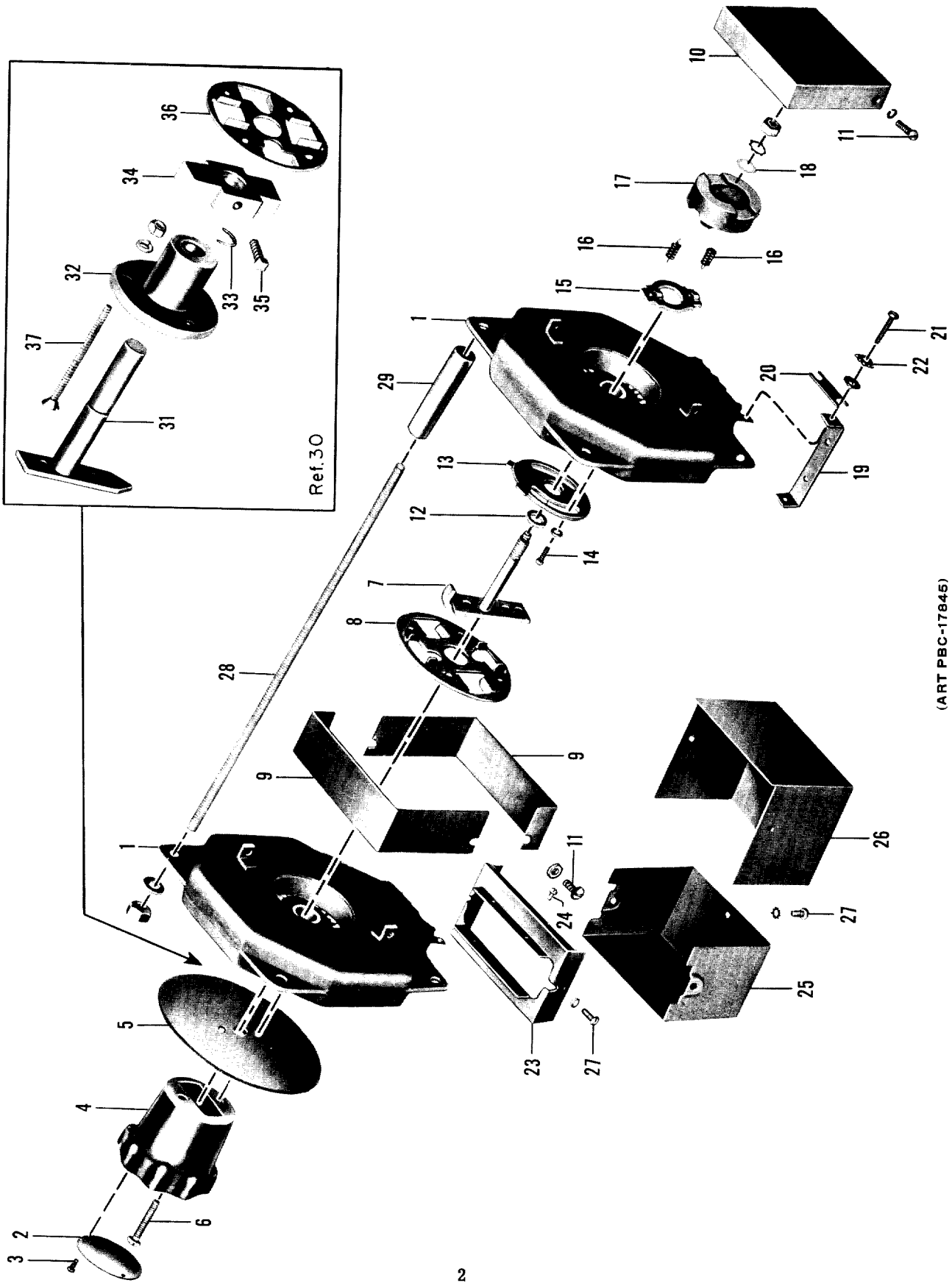
The resistance plate root Cat.No. should be determined from the following table.

Rheostat Root Cat.No.	Resistance Plate		Rheostat Root Cat.No.	Resistance Plate	
	Root Cat.No.	No.Re- quired		Root Cat.No.	No.Re- quired
CR8000-EB101AA	3246909	1	CR8070-EB101AA	3246909	1
CR8000-EB102AA	3246910	1	CR8070-EB102AA	3246910	1
CR8000-EB103AA	3246911	1	CR8070-EB103AA	3246911	1
CR8000-EB104AA	3246912	1	CR8070-EB104AA	3246912	1
CR8000-EB201AA	3246909	2	CR8070-EB201AA	3246909	2
CR8000-EB202AA	3246910	2	CR8070-EB202AA	3246910	2
CR8000-EB203AA	3246911	2	CR8070-EB203AA	3246911	2
CR8000-EB204AA	3246912	2	CR8070-EB204AA	3246912	2

When ordering renewal parts, give quantity, catalog number, description of each item required, and complete nameplate reading.

GENERAL  **ELECTRIC**

IC8000-EB AND IC8070-EB PLATE-TYPE RHEOSTATS



(ART PBC-17845)

IC8000-EB AND IC8070-EB PLATE-TYPE RHEOSTATS

GEF-3644B

Ref. No.	No. Required for CR8000-EB-								No. Required for CR8070-EB-								Cat. No.	Description
	101AA	102AA	103AA	104AA	201AA	202AA	203AA	204AA	101AA	102AA	103AA	104AA	201AA	202AA	203AA	204AA		
2	1		1		1		1		1		1		1		1		-----	Directional nameplate (cuts in resistance clockwise) (Order by NP130571A)
2		1		1		1		1		1		1		1		1	-----	Directional nameplate (cuts in resistance counterclockwise) (Order by NP135640)
3	2	2	2	2	2	2	2	2	2	2	2	2	2	2	2	2	101X198	Screw fastening nameplate to handwheel
4	1	1	1	1	1	1	1	1	1	1	1	1	1	1	1	1	9155374P1	Handwheel
5	1	1	1	1	1	1	1	1	1	1	1	1	1	1	1	1	9385798P1	Shield
6	2	2	2	2	2	2	2	2	2	2	2	2	2	2	2	2	N37P16018B	Screw fastening handwheel and shield to stop (10-32)
7	1	1	1	1	2	2	2	2	1	1	1	1	2	2	2	2	9196895G1	Shaft with stop
8					1	1	1	1					1	1	1	1	9196877	Coupling
9													2	2	2	2	9397178	Cover for coupling
10									1	1	1	1	1	1	1	1	9397179	End cover for brush assembly
11									2	2	2	2	4	4	4	4	N37P15006B	Screw fastening covers in position (8-32)
12	1	1	1	1	2	2	2	2	1	1	1	1	2	2	2	2	9098827	Spacing washer for shaft †
13	2	2	2	2	4	4	4	4	2	2	2	2	4	4	4	4	9196872	Stop plate
14	2	2	2	2	4	4	4	4	2	2	2	2	4	4	4	4	N30P21006B	Screw fastening stop plate to resistance plate (1/4 in.-20)
15	1	1	1	1	2	2	2	2	1	1	1	1	2	2	2	2	9196876G4	Brush assembly
16	2	2	2	2	4	4	4	4	2	2	2	2	4	4	4	4	2418867	Compression spring for brush
17	1	1	1	1	2	2	2	2	1	1	1	1	2	2	2	2	9138337P1	Brush support
18	1	1	1	1	2	2	2	2	1	1	1	1	2	2	2	2	414732	Washer for brush support
19					Δ	Δ	Δ	Δ	Δ	Δ	Δ	Δ	Δ	Δ	Δ	Δ	9397197P1	“U” shaped connector
20	Δ	Δ	Δ	Δ	Δ	Δ	Δ	Δ	Δ	Δ	Δ	Δ	Δ	Δ	Δ	Δ	9085804	Straight connector
21	3	3	3	3	6	6	6	6	3	3	3	3	6	6	6	6	N22P21012B	Screw fastening connectors to terminals (1/4 in.-20)
22	6	6	6	6	12	12	12	12	6	6	6	6	12	12	12	12	N402P41	Washer for screw fastening leads to terminals
23									1	1	1	1	2	2	2	2	9350895P1	Conduit box support
24									4	4	4	4	4	4	4	4	101X204	Screw fastening conduit box support to resistance plate (6-32)
25									1	1	1	1	1	1	1	1	9350895P2 †	Conduit box
26									2	2	2	2	1	1	1	1	9350895P3	Conduit box cover
26													1	1	1	1	9397226P1	Conduit box cover
27									3	3	3	3	5	5	5	5	N37P15006B	Screw fastening cover or conduit box support in position (8-32)
28	4	4	4	4					4	4	4	4					2247882P10	Mounting stud
28					4	4	4	4					4	4	4	4	2247882P11	Mounting stud
29					4	4	4	4					4	4	4	4	2224729	Spacer between resistance plates

OPERATING MECHANISM FOR BACK-OF-BOARD MOUNTING

Ref. No.	101AA	102AA	103AA	104AA	201AA	202AA	203AA	204AA	101AA	102AA	103AA	104AA	201AA	202AA	203AA	204AA	Cat. No.	Description
30	1	1	1	1	1	1	1	1	1	1	1	1	1	1	1	1	9350861G1	Back-of-board mounting mechanism assembly
31	1	1	1	1	1	1	1	1	1	1	1	1	1	1	1	1	9385529G1	Shaft and pointer assembly
32	1	1	1	1	1	1	1	1	1	1	1	1	1	1	1	1	9397235P1	Bearing hub
33	1	1	1	1	1	1	1	1	1	1	1	1	1	1	1	1	101X253	Retaining ring
34	1	1	1	1	1	1	1	1	1	1	1	1	1	1	1	1	9653798	Coupling arm
35	1	1	1	1	1	1	1	1	1	1	1	1	1	1	1	1	N72P2108B	Set screw holding coupling arm in position (1/4 in.-20)
36	1	1	1	1	1	1	1	1	1	1	1	1	1	1	1	1	9196877P1	Coupling
37	3	3	3	3	3	3	3	3	3	3	3	3	3	3	3	3	9644284	Mounting screw fastening operating mechanism to panel

INTERLOCK MECHANISM 9-Inch Plate

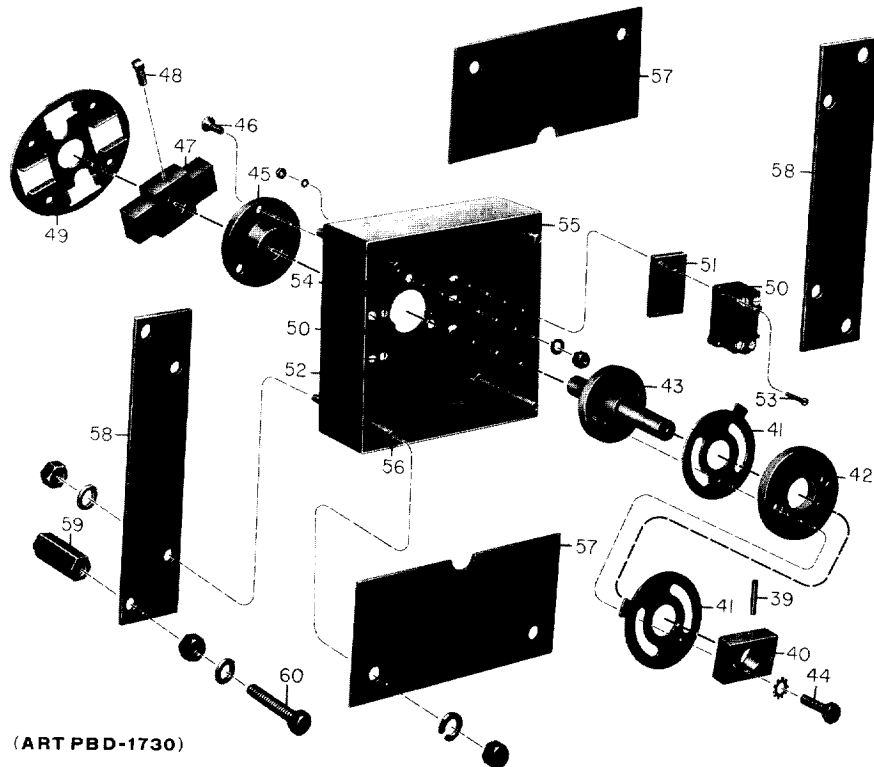
Ref. No.	Cat. No.	No. Required	Description
38	9653797G2	1	Interlock mechanism, complete, for CR8000-EB Rheostat
38	9653797G5	1	Interlock mechanism, complete, for CR8070-EB Rheostat
39	101X519	1	Groove pin fastening handwheel support to shaft assembly

† Used only on early models

† If the conduit box on your rheostat has four sides, the same as Ref. No. 25 in photograph, you should also order one Cat. 9350895P3 cover, because conduit box Cat. 9350895P2, as now furnished, has only three sides and the additional cover is required to complete the enclosure. If the conduit box on your rheostat is similar to Ref. 25 in photograph but has only three sides, no additional parts are required and this note may be disregarded.

Δ Quantity variable.

IC8000-EB AND IC8070-EB PLATE-TYPE RHEOSTATS



Ref. No. 38, Interlock mechanism

INTERLOCK MECHANISM (Cont'd)

Ref. No.	Cat. No.	Description
40	9098063	1 Handwheel support
41	9196872P1	2 Stop plate
42	9098066	1 Spacer between stop plates
43	9397618G1	1 Shaft assembly
44	N22P21012B	2 Screw fastening stop plates and spacer to shaft assembly (1/4 in.-20)
45	9098061	1 Bearing hub
46	N44P21010B	3 Screw fastening bearing hub to box for interlock (1/4 in.-20)
47	9653798	1 Coupling arm
48	N72P2108B	1 Set screw holding coupling arm to shaft (1/4 in.-20)
49	9196877	1 Coupling
50	CR1070-A102F	2 Switchette
51	9098072P1	1 Spacer between switchette and interlock box (5/16 in. thick)
52	9098072P2	1 Spacer between switchette and interlock box (5/8 in. thick)
53	N37P13016B	2 Screw fastening switchette and spacer to interlock box (6-32, 1 in.)
54	N37P13020B	2 Screw fastening switchette and spacer to interlock box (6-32, 1 1/4 in.)
55	9664626P1	1 Interlock box
56	2401918	4 Mounting stud
57	9664626P2	2 Cover for interlock box
58	9098076	2 Support for interlock
59	9098712	4 Spacer between interlock and rheostat
60	N22P25028B	4 Screw fastening interlock support to spacer
	9644532	1 Cover for interlock coupling and brush rigging assembly, for interlock mechanism Cat.No. 9653797G5 only

WASHERS

Cat.No.	Description
N402P9B	For No. 10 screw
N402P13B	For 3/8 in. screw

NUTS

N210P13B	6-32, hex. std
N210P25B	3/8 in.-16, hex. std
N213P32B	5/8 in.-18, hex.

LOCK WASHERS

Cat.No.	Description
N405P5B	For No. 4 screw
N405P8B	For No. 8 screw
N403P16B	For No. 8 screw, Shakeproof
N405P9B	For No. 10 screw
N405P11B	For 1/4 in. screw
N403P25B	For 1/4 in. screw, Shakeproof
N405P13B	For 3/8 in. screw
N403P62B	For 5/8 in. screw, Shakeproof

GENERAL ELECTRIC COMPANY, INDUSTRIAL CONTROL PRODUCTS DEPARTMENT, SALEM, VA. 24153