



K1200 Line Circuit Breakers

Types TKM & THKM 2- or 3-Pole Frames with TKMA Trip Units

NOTE: Three-pole trip units are supplied for both two- and three-pole breaker frames. When installing a trip unit in a two-pole frame, do not connect the center conductors.

The 1200-ampere frame and trip units have catalog numbers TKM2, THKM2 or TKM3, THKM3, TKMA3, etc.

The 800-ampere frame and trip units have catalog numbers TKM8 and THKM8.

Each frame will only accept trip units designated for that particular frame size.

Trip Unit Installation

1. Unscrew the four breaker frame cover screws and remove the frame cover, handle shield, and shipping cotter pin from the mechanism, as illustrated in Figure 1.
2. Clean all bolted joints on both the trip unit and frame with a nonabrasive cleaner.
3. Place the mounting screws, lock washers, and flat washers in each of the three line-side conductor holes on the trip unit.
4. Push in and engage lever K, shown in Figure 2.
5. Push in and hold lever L, shown in Figure 2. Place the trip unit in the breaker, engaging hooks B with slots C.
6. Tighten the center mounting screw, then the others. *On a two-pole unit, do not use any mounting screw in the center pole.* Recheck that hooks B are engaged in slots C, then tighten the screws to 100 lb-in torque.
7. Push the breaker handle to the extreme OFF position, then engage trigger D with latch E. Push the breaker handle ON.
8. Trip the breaker by pushing button F. Reset and trip the breaker again.
9. Replace the handle shield, breaker frame cover, and cover screws.

Trip Unit Removal

1. Push the breaker handle to the OFF position. Be sure that the breaker is de-energized.
2. Remove the breaker frame cover and handle shield.

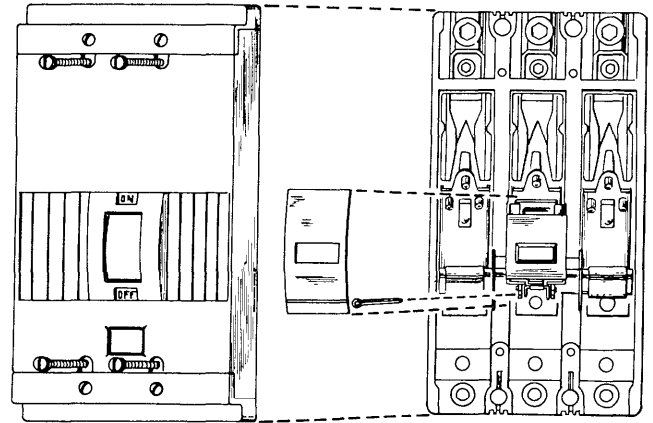


Figure 1. Removing the breaker front cover, handle shield, and cotter pin.

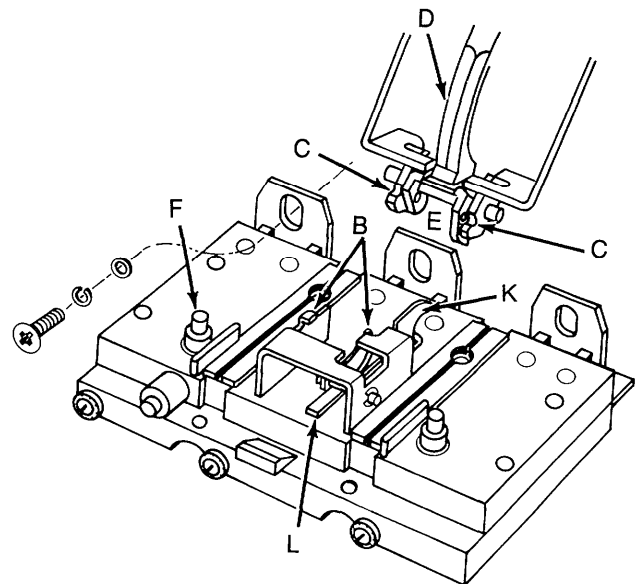


Figure 2. Trip unit installation.

3. Trip the breaker by pushing button F or lever L, shown in Figure 2.
4. Remove the load-side connections from the trip unit.
5. Unscrew the line-side connectors from the trip unit.
6. Push in and hold lever L. Disengage hooks B from slots C, the lift out the trip unit.

Field Adjustment – Magnetic Trip

Magnetic trips can be field adjusted to trip at multiples of the continuous current rating shown on the trip unit rating label. Operating tolerances for 600 Vac trips are:

± 20% of the trip setting at HI.

± 25% of the LOW setting.

For 250 Vdc, trip values are approximately 40% higher.

Trip Adjustment – On the type TKMA trip unit, the adjustment knobs are flush with the front of the breaker cover, as shown in Figure 3.

Breaker Frame Mountings

Front Connections – Lugs

NOTE: On a two-pole application, do not make any connections to the center terminals.

1. Remove the lug covers at the line and load ends of the breaker.
2. For front connection cables, insert the correct lug in place, as shown in Figure 3. Secure the lug to the terminal at the line and/or load end with the socket-head screws and washers provided. Tighten the screws to 200 lb-in minimum torque.
3. Replace the lug covers. High lug covers are supplied with trip units rated at 700 amperes and above. Remove the center-pole plastic knockout for cable access in a three-pole application.

Back Connections

Straps – Installation is illustrated in Figure 4.

Studs – Installation is illustrated in Figure 5.

For panelboard mounting see outline 455C704, sheet 1.

For switchboard mounting, see outline 455C840, sheet 4.

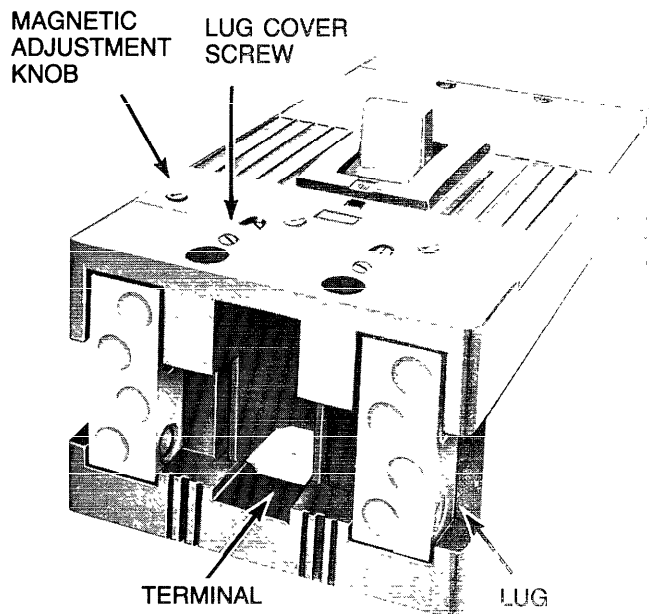


Figure 3. Installing lugs onto the breaker.

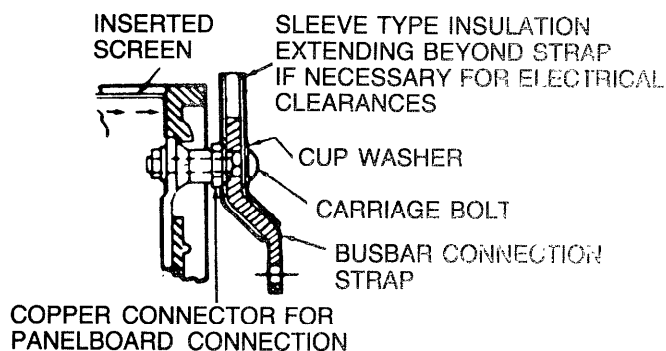


Figure 4 Strap installation.

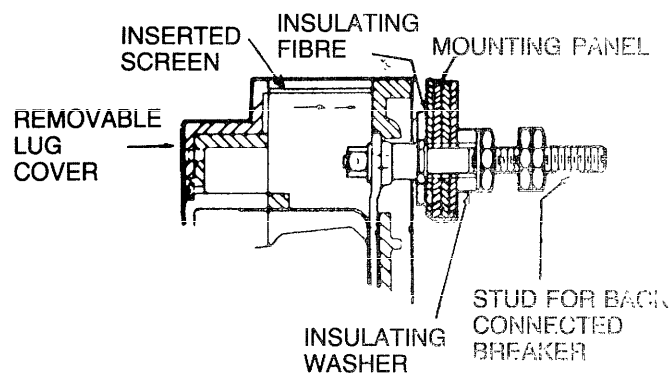


Figure 5 Stud installation

These instructions do not cover all details or variations in equipment nor do they provide for every possible contingency that may be met in connection with installation, operation, or maintenance. Should further information be desired or should particular problems arise that are not covered sufficiently for the purchaser's purposes, the matter should be referred to the GE Company.



GE Electrical Distribution & Control

General Electric Company
41 Woodford Ave., Plainville, CT 06062