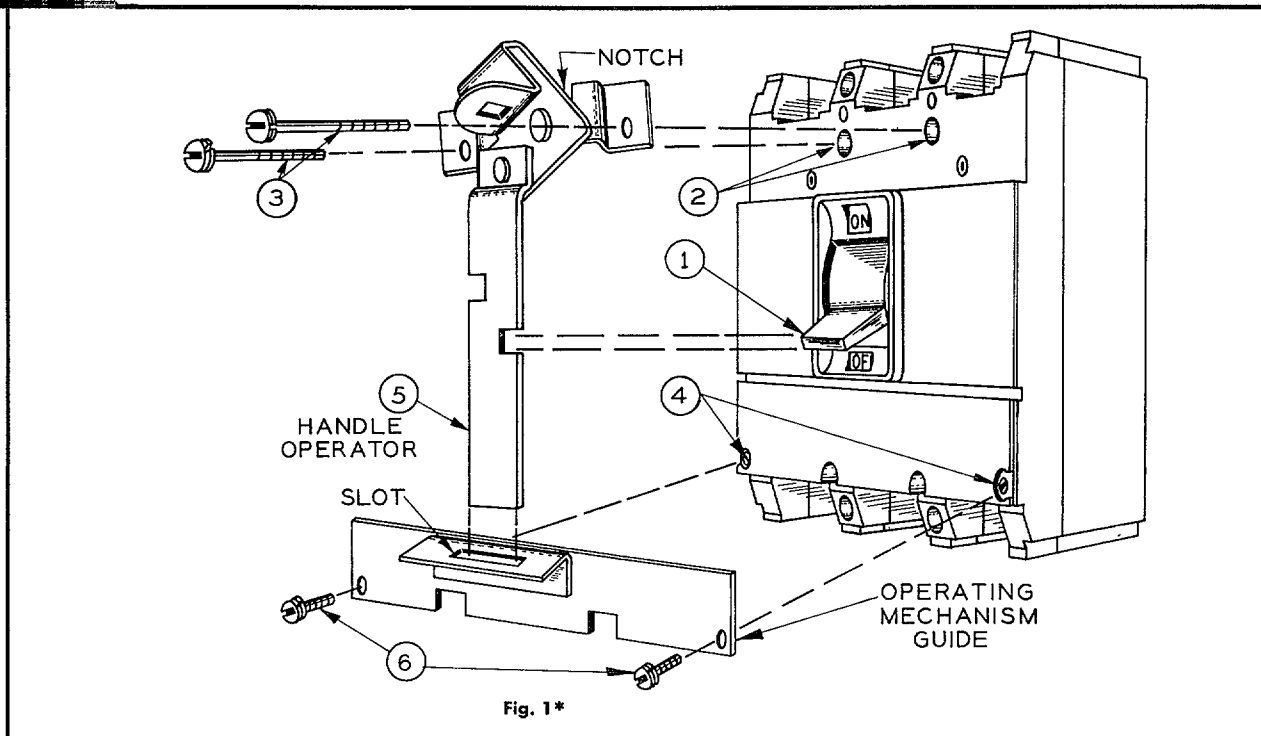




Field Mounting of Handle-Operating Mechanism

TJOM1 and TJOM2

To Type TJ and TJJ Breakers



KIT CONTENTS

- TJOM1 and TJOM2 Operating Mechanism kits contain:
- one operating mechanism
 - two line end $\frac{1}{4}$ -20 x $4\frac{1}{4}$ " mounting screws and lock washers
 - one load end, operating mechanism guide
 - two operating mechanism guide-mounting screws (#8-32 x $1\frac{3}{4}$ ") and lock washers.

COVER DRILLING

For handle Cat. No. TH2.
Pendulum motion. For up-down motion, rotate drilling 90° clockwise.

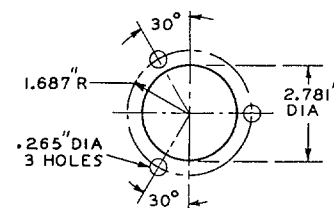


Fig. 2

MOUNTING INSTRUCTIONS

- ① Move breaker handle to OFF position.
- ② If breaker is mounted, remove two line end mounting screws and washers.
- ③ Secure operating mechanism to breaker with two $\frac{1}{4}$ -20 x $4\frac{1}{4}$ " mounting screws and lock washers.
- ④ Remove two load end, breaker cover mounting screws.
- ⑤ Slide mechanism's handle operator through slot in operating mechanism guide.
- ⑥ Secure guide to breaker using #8-32 x $1\frac{3}{4}$ " screws and lock washers in load end, breaker cover mounting holes.

* Fig. 1 is TJOM1. TJOM2 (adjustable shaft) is similar in appearance, mounts in identical manner.

BOX-DEPTH DIMENSIONS

From back of breaker to inside of cover.

TJOM1: $5\frac{7}{8}$ "

TJOM2: see Fig. 3.

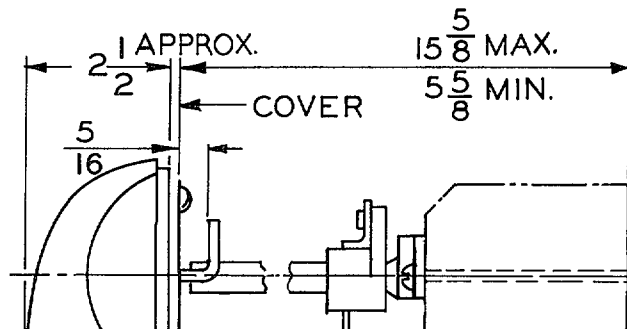


Fig. 3

These instructions do not purport to cover all details or variations in equipment nor to provide for every possible contingency to be met in connection with installation, operation or maintenance. Should further information be desired or should particular problems arise which are not covered sufficiently for the purchaser's purposes, the matter should be referred to the General Electric Company.

CIRCUIT PROTECTIVE DEVICES DEPARTMENT

GENERAL ELECTRIC

PLAINVILLE, CONNECTICUT