



POWER-BREAK[®]

FIELD INSTALLABLE ACCESSORIES

GEH-3401
Rev. D

UNDERVOLTAGE RELEASE DEVICE FOR 2000-4000A FRAMES

Note: UL Listing is voided when the circuit is modified to add an accessory. Remove and discard the UL label.

ELECTRICAL DATA

Cat. No.	Rated Voltage (60 HZ AC)	MA Current	
		DC	AC
TSUV1	120V AC	...	25
TSUV2 †	240V AC	...	25
TSUV4 †	480V AC	...	25
TSUV6 †	600V AC	...	25
TSUV7	12V DC	211	...
TSUV8	24V DC	104	...
TSUV9	48V DC	54	...
TSUV10	125V DC	24	...
TSUV11 †	250V DC	24	...

† Externally mounted dropping resistor supplied with device.

GENERAL DESCRIPTION

The undervoltage release device, Fig. 1, is used to open the circuit breaker when the supply voltage drops to 35-60 percent of the rated voltage.

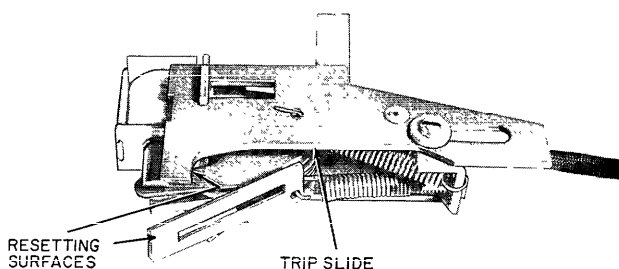


Fig. 1. Undervoltage release device

INSTALLATION

WARNING: When installing accessories, the breaker must be completely de-energized and disconnected from the electrical circuit. This is mandatory since breaker must be on during certain stages of installation and testing.

1. Disassemble the circuit breaker; see GEH-4382.

Note: Verify that circuit breaker handle has been cranked twice before proceeding.

2. Remove the right-hand center pole knockout as shown in Fig. 2.

3. Remove all debris from inside breaker.

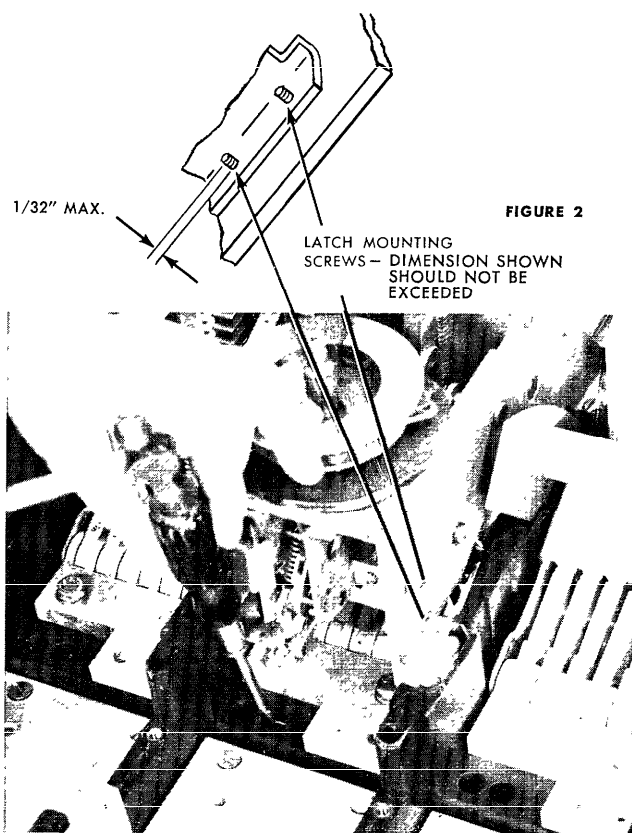


Fig. 2. Center-pole knockout removal

These instructions do not purport to cover all details or variations in equipment nor to provide for every possible contingency to be met in connection with installation, operation or maintenance. Should further information be desired or should particular problems arise which are not covered sufficiently for the purchaser's purposes, the matter should be referred to the General Electric Company.

Instructions

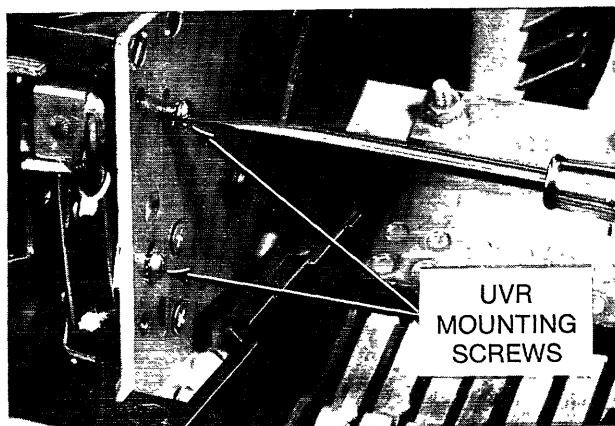


Fig. 3. View showing mounting screws

4. Place the undervoltage release device inside the circuit breaker mechanism frame as shown in Fig. 3.

Note: It is very important to be sure the resetting roll pin is beneath the resetting surface of the resetting lever. See Fig. 4.

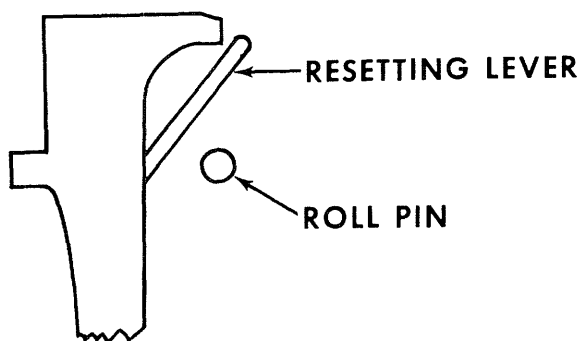


Fig. 4. Roll pin position

5. Install the mounting screws (two) through the slots in the mechanism frame and into the tapped holes in the frame of the undervoltage release device. Position the unit to provide 1/16-inch to 3/32-inch gap, as shown in Fig. 5, and torque the screws to 15 inch-pounds.
6. Insert the leads through the knockout and position them, as shown in Fig. 6, with tape to ensure that leads will not be pinched under the breaker mounting pads during installation. Check the leads at the undervoltage release device to be sure they do not interfere with any moving parts.

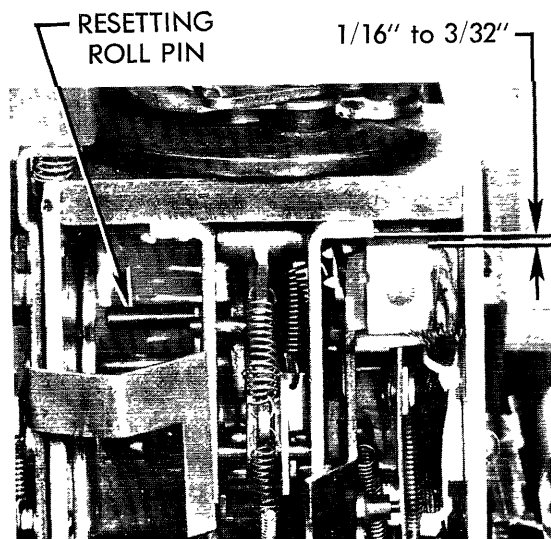


Fig. 5. View showing resetting roll pin

7. Preparing for functional check:
 - a. For Manual Circuit Breakers:
Replace the breaker cover.
 - b. For Electrical Circuit Breakers:
 - 1) Install inner cover; see GEH-4382 .
 - 2) Install outer cover.
8. Functional Check
Apply rated voltage to the coil and close the breaker. Reduce the voltage to the coil and verify that the device drops out.
9. Reassemble the circuit breaker; see GEH-4382.
10. Apply descriptive label to right side of circuit breaker.

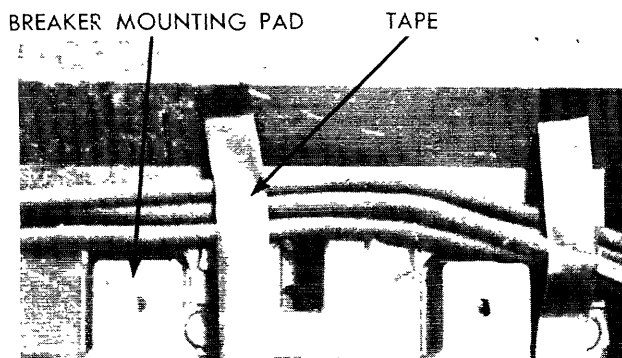


Fig. 6. View, back of breaker