



POWER-BREAK[®]

FIELD INSTALLABLE ACCESSORIES

AUXILIARY SWITCH FOR 2000-4000 FRAMES

Note: UL listing is voided when the circuit breaker is modified to add an accessory. Remove and discard the UL label.

WARNING: When installing accessories, the breaker must be completely de-energized and disconnected from the electrical circuit. This is mandatory since breaker must be ON during certain stages of installation and testing.

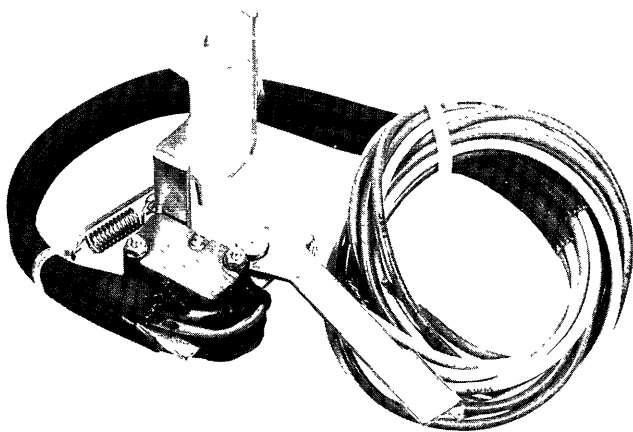


Fig. 1. Auxiliary switch

DESCRIPTION

The auxiliary switch is used for remote indication of breaker main contact position — OPEN or CLOSED. No distinction is made between an open or tripped mode. A maximum of 12 switches can be installed per breaker. Each is single-pole, double-throw (AB-type) and rated as shown in table above. Two switch positions must be devoted to each shunt trip accessory (if used) per breaker.

INSTALLATION

1. Disassemble the circuit breaker; see GEH-4382.
2. Remove appropriate knockout(s) in the breaker base using screwdriver and hammer as shown in Fig. 2. Remove all debris from the breaker.
3. Remove the left hex-head bolt. Discard the plain washer, and install the switch assembly as shown in Fig. 3, using bolt and lockwasher. Torque the bolt to 30 inch-pounds while holding the unit in the correct position.

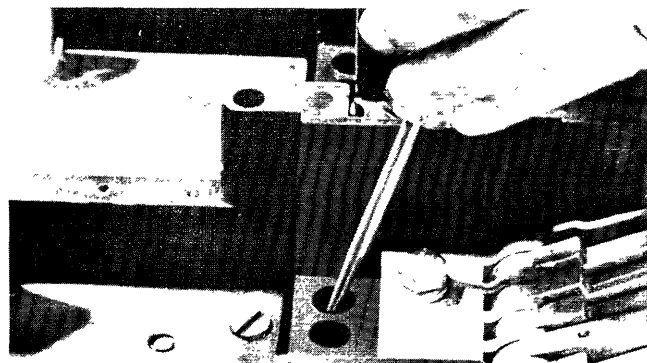


Fig. 2.

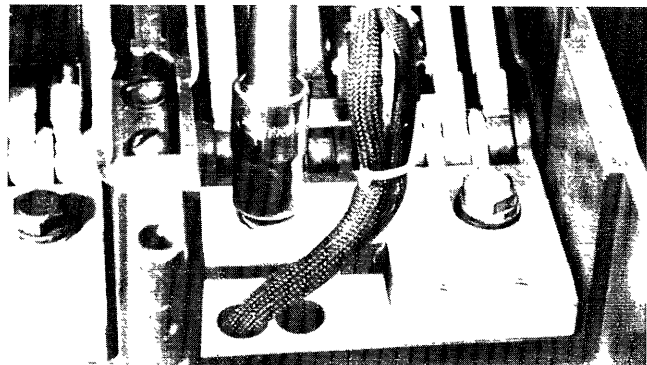


Fig. 3.

ELECTRICAL DATA

TABLE 1
AUXILIARY SWITCH KITS

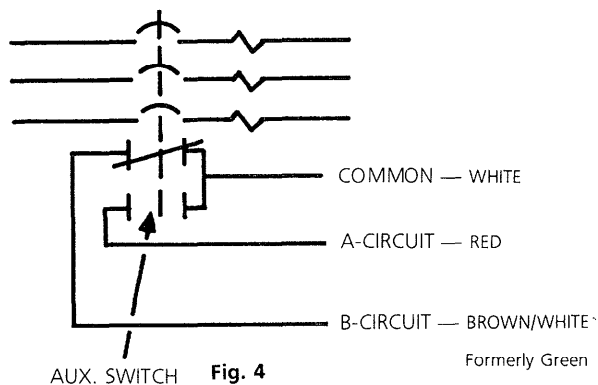
For 240 volts AC	For 600 volts AC	Number of Switch Elements	Maximum Ampere Rating Switch Elements
TSAS2AB*	TSAS6AB*	1-12	6A at 240 or 600 volts AC 1/4A at 250 volts DC 1/2A at 125 volts DC

*Suffix numbers 1 through 12 designate number of switch elements

instructions

These instructions do not purport to cover all details or variations in equipment nor to provide for every possible contingency to be met in connection with installation, operation or maintenance. Should further information be desired or should particular problems arise which are not covered sufficiently for the purchaser's purposes, the matter should be referred to the General Electric Company.

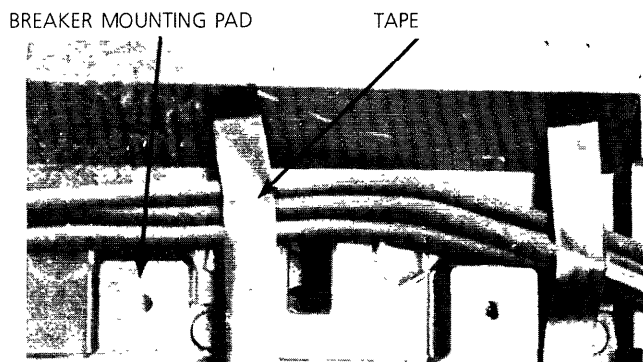
4. Insert leads and flexible sleeving through the knockout(s) (maximum three bundles per knockout) and along back of breaker to desired connection point. Leads of respective stages should be identified to ensure proper connection after the breaker cover has been replaced and the breaker installed.



Verify that "B" contacts (brown/white and white leads) are closed when the breaker is open.

Verify that above circuit conditions are reversed when breaker is closed.

Following field installation, apply the descriptive label to the side of the breaker base.



5. Reassemble circuit breaker; see GEH-4382.

NOTES:

Verify that "A" contacts Fig. 4. (red and white leads) are open when breaker is open.

If the breaker was removed from its supporting structure, use tape to hold the wires in the wiring channel as shown in Fig. 5, to assure that no wires are pinched under the breaker mounting pads.

GENERAL ELECTRIC COMPANY
CIRCUIT PROTECTIVE DEVICES DEPARTMENT
PLAINVILLE, CONNECTICUT 06062

