

Instructions
For Field
Installation



POWER BREAK[®] Non-Automatic Trip Unit

2500-3000A Frames

NOTE: This nonautomatic trip unit can only be installed in breakers that are equipped with Dual Magnetic Trip Units.

NOTE: UL listing is voided when the circuit breaker is modified to add an accessory.

CAUTION: Before inspecting or beginning any maintenance work on the breaker, it must be disconnected from all voltage sources, both power and control, and breaker must be off (open).

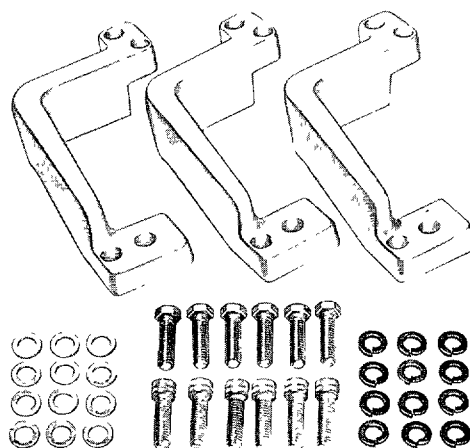
INTRODUCTION

A circuit breaker frame with an installed non-automatic trip unit is a manual disconnect device. It does not provide overload or short-circuit protection.

KIT CONTENTS

3-pole

- (3) Current-carrying connection straps
- (6) $\frac{3}{8}$ -16 \times 1 $\frac{1}{4}$ long hex bolts
- (6) $\frac{3}{8}$ -16 \times 1 $\frac{1}{4}$ long socket head bolts
- (12) $\frac{3}{8}$ " flat washers
- (12) $\frac{3}{8}$ " split lockwashers
- (1) Nameplate
- (1) Nonautomatic escutcheon cover



INSTALLATION—MANUALLY OPERATED CIRCUIT BREAKER

1. Remove UL and ratings label.
2. Remove cover and trip unit per instruction sheet GEH 4658.
3. Breaker frame is now ready for installation of kit. (See Figure 1).

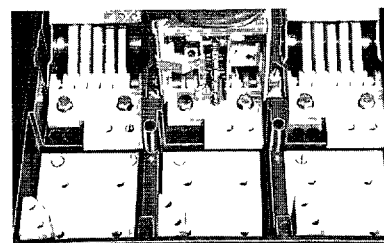


Figure 1. Breaker frame with Trip Unit removed

4. Position current carrying connection straps, as shown in Figure 2, and fasten down, using one flat and one lockwasher with each bolt. Use hex bolts at top of strap.
5. Torque all bolts to 100 in. lbs.

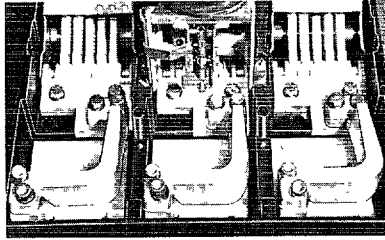


Figure 2. Straps in position

INSTALLATION—ELECTRICALLY OPERATED CIRCUIT BREAKER

1. Remove ratings label.
2. Remove outer cover; see instruction sheet GEH 4658.
3. Remove inner cover and trip unit; see instruction sheet GEH 4658.
4. Follow STEP 3, manually-operated section.
5. Follow STEP 4, manually-operated section.
6. Follow STEP 5, manually-operated section.
7. Replace inner cover; see GEH 4658.
8. Replace outer cover and escutcheon plate; see GEH 4658.

6. Remove handle and change nameplate.
7. Replace handle.
8. Replace cover.
9. Install escutcheon cover with nonautomatic label.

© 1985 GENERAL ELECTRIC COMPANY

These instructions do not purport to cover all details or variations in equipment nor to provide for every possible contingency to be met in connection with installation operation or maintenance. Should further information be desired or should particular problems arise which are not covered sufficiently for the purchaser's purposes, the matter should be referred to the General Electric Company.

For further information
call or write your local
General Electric
Sales Office or

General Electric
Company
41 Woodford Avenue
Plainville, CT 06062 U S A

Outside the U S and Canada write International Trading Operations
570 Lexington Avenue, New York, NY 10022 U S A
GEH-3414C 0185 PSA

GENERAL  **ELECTRIC**