

GEH3434 INSTALLATION INSTRUCTIONS

For Type TED Circuit Breaker Three Coil Shunt Trip Device

NOTE: U/L listing is voided when the circuit breaker is modified to add an accessory. The U/L label must be destroyed

VOLTAGE RATING 208-600 VAC

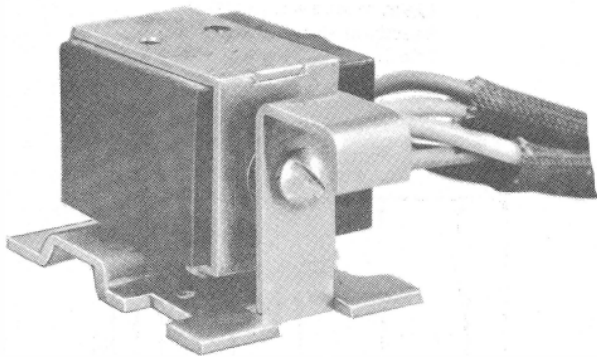


Figure 1

GENERAL DESCRIPTION AND APPLICATION :

The three-coil shunt trip is designed for the molded case circuit breaker in applications with current limiting fuses. The accessory prevents single-phasing on a three phase system when a single fuse blows.

Each coil of the shunt trip is wired across a fuse so that the voltage across an open fuse will trip the breaker. When a coil is energized, the solenoid core releases the spring biased latch, allowing the slide to rotate the breaker trip bar to trip breaker. The fuse must be replaced, and the breaker reset, before it can be reclosed. If the breaker is closed on an open fuse, the shunt trip will reopen immediately.

CAUTION: When installing accessories, the breaker must be completely deenergized and disconnected from the electrical circuit. This is mandatory because breaker must be "ON" during certain stages of installation and testing

INSTALLATION

Removing Breaker Cover

Open breaker contacts by moving handle to the breaker "OFF" position. Remove breaker cover by removing mounting screws as shown in figure 2. Remove and save insulating tubes and plastic handle, shown in figure 3. Tar must be removed to gain access to screw shown below.

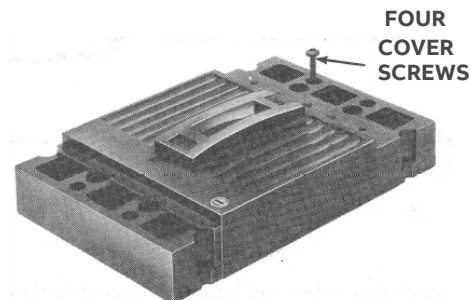


Figure 2

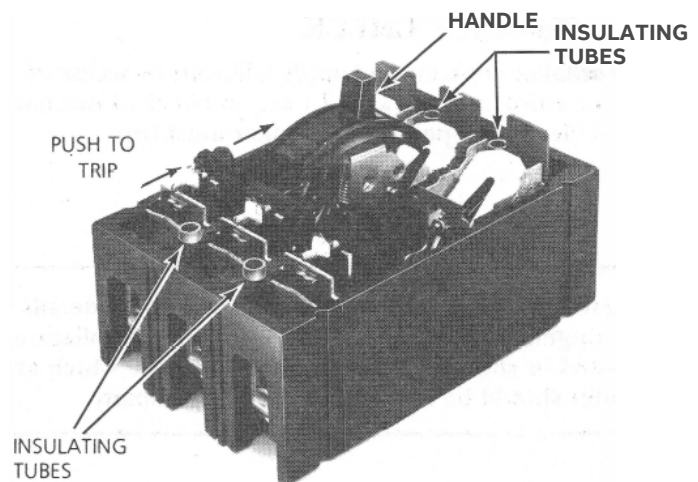


Figure 3

INSTALLING SHUNT TRIP DEVICE

With breaker in open or tripped condition, install device in breaker base as shown in figure 4. Pin plugs into positioning hole shown, hook drips over trip bar. Pre-position leads to line up with notch in breaker cover as shown in figure 5.

Figure 4

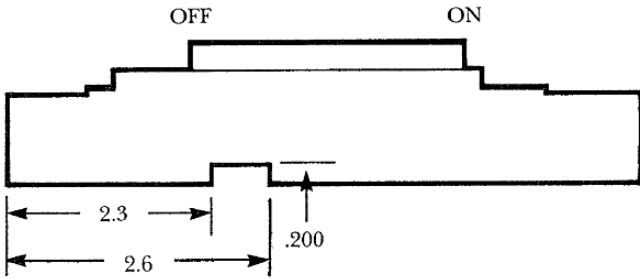


Figure 5

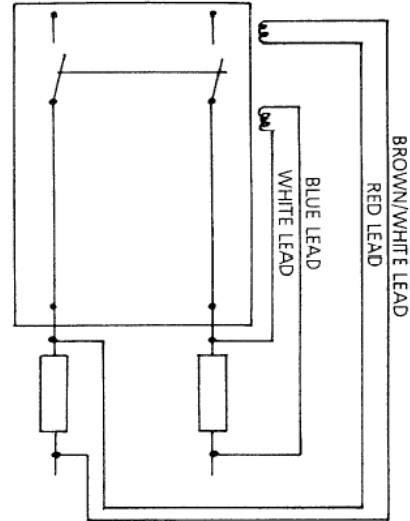
Position insulating tubes and handle as shown in figure 3. Install breaker-cover with cover mounting screws.

PERFORMANCE CHECK

Close breaker contacts and apply 208 volts to accessory leads for a time not to exceed 1 sec. as check of mechanical and electrical operation. Breaker must trip.

These instructions do not purport to cover all details or variations in equipment nor to provide for every possible contingency to be met in connection with installation operation or maintenance. Should further information be desired or should particular problems arise which are not covered sufficiently for the purchaser's purposes, the matter should be referred to the ABB Company.

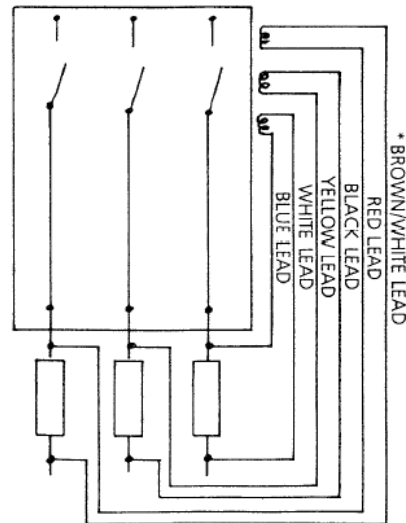
2-POLE SINGLE-PHASE APPLICATION Three-Coil Shunt Trip



CIRCUIT BREAKER LOAD END

Leads must be connected exactly as shown. Shunt trip device may not operate correctly if phase sequence is changed.

3-POLE THREE-PHASE APPLICATION Three-Coil Shunt Trip



CIRCUIT BREAKER LOAD END

"Formerly Green"