



# TDR Integral Handle

## For TJ400, TJ600 and TB4 Circuit Breakers

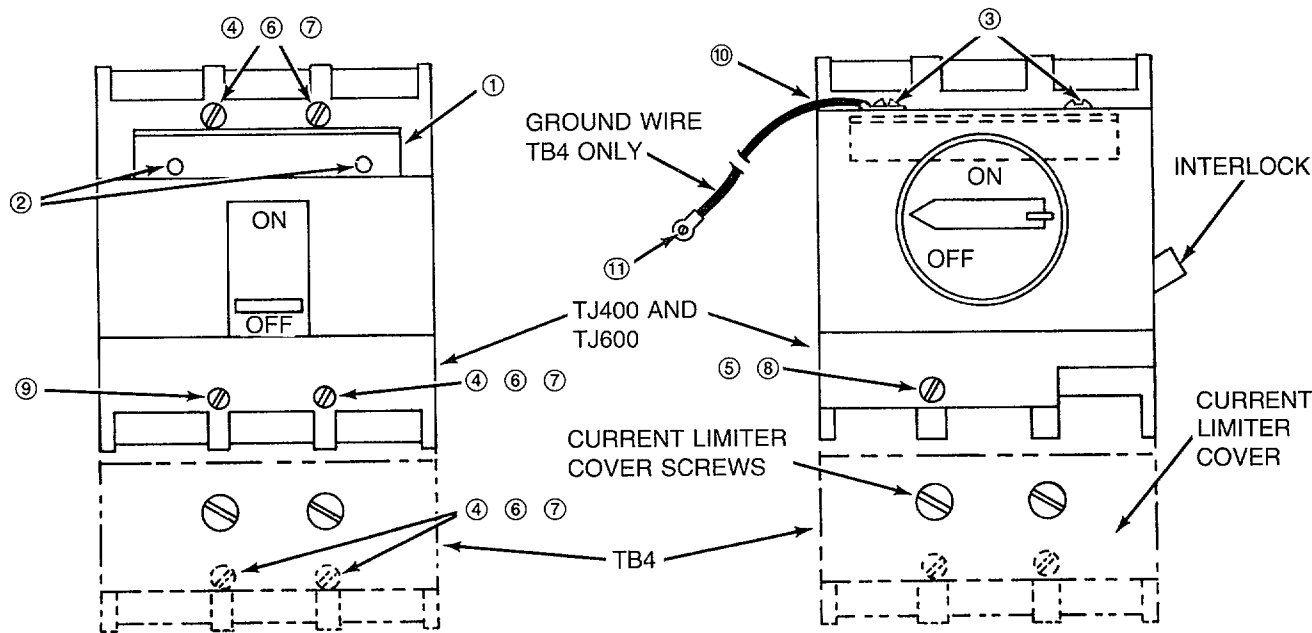


Figure 1.

Figure 2.

### KIT CONTENTS - TJ400, TJ600 and TB4

The enclosure consists of a rotary-type integral handle mechanism and all parts (indicated on Parts List) required to mount the handle mechanism and breaker. Breaker and neutral must be ordered separately.

### MOUNTING INSTRUCTIONS FOR TJ400 and TJ600

#### 1. INSTALL BREAKER IN ENCLOSURE

- Place breaker in enclosure with "LINE" end toward word "TOP" on enclosure.
- Secure breaker with three short screws (4), flat washers (6), and split lock-washers (7).

#### 2. MOUNT ROTARY HANDLE MECHANISM

- Secure bracket (1) to breaker with two Sems screws (2). See Figure 1.
- Move both breaker handle and handle mechanism to their "OFF" positions. Mount handle mechanism to breaker and secure to bracket (1) with two Sems screws (3). See Figure 2.
- Secure "Load" end of breaker and handle mechanism with long screw (5) and toothed-lockwasher (8). See Figure 2

### 3. CHECK OPERATION

- To check "ON-OFF" operation of breaker, depress interlock and rotate mechanism handle between "ON-OFF" positions.
- To check "Reset" operation (if breaker is provided with tripping means), depress interlock and trip breaker. Rotate mechanism handle counterclockwise until breaker resets.

## MOUNTING INSTRUCTIONS FOR TB4

### 1. INSTALL BREAKER IN ENCLOSURE

- Place breaker in enclosure with "LINE" end toward word "TOP" on enclosure.
- Remove current limiter cover for access to lower holes.
- Secure breaker with four screws (4), flatwashers (6), and split lockwashers (7). See Figure 1.

### 2. MOUNT ROTARY HANDLE MECHANISM

- Secure bracket (1) to breaker with two Sems screws (2).

- Remove left screw (9) from breaker cover (load end) and save.
- Move both breaker handle and handle mechanism to their off positions. Mount handle mechanism to breaker and secure to bracket (1) with two Sems screws (3) with grounding wire (10) and secure as illustrated. See Figure 2.
- Secure load end of mechanism by replacing breaker cover screw (9). See Figure 2.
- Secure loose-end of grounding wire (10) to neutral bracket on left side of enclosure with self-tapping Sems screw (11). See Figure 2. (.120 dia. hole required for screw)

### 3. CHECK OPERATION

- To check "ON-OFF" operation of breaker, depress interlock and rotate mechanism handle between "ON-OFF" positions.
- To check "Reset" operation (if breaker is provided with tripping means), depress interlock and trip breaker. Rotate mechanism handle counterclockwise until breaker resets.

© 1984 GENERAL ELECTRIC COMPANY

*These instructions do not purport to cover all details or variations in equipment nor to provide for every possible contingency to be met in connection with installation operation or maintenance. Should further information be desired or should particular problems arise which are not covered sufficiently for the purchaser's purposes, the matter should be referred to the General Electric Company.*

For further information  
call or write your local  
General Electric  
Sales Office or . . .

General Electric  
Company  
41 Woodford Avenue  
Plainville, CT 06062 U S A.

Outside the U.S. and Canada write International Trading Operations,  
570 Lexington Avenue, New York, NY 10022 U.S.A.  
GEH-3450A 1184 PSB

**GENERAL**  **ELECTRIC**