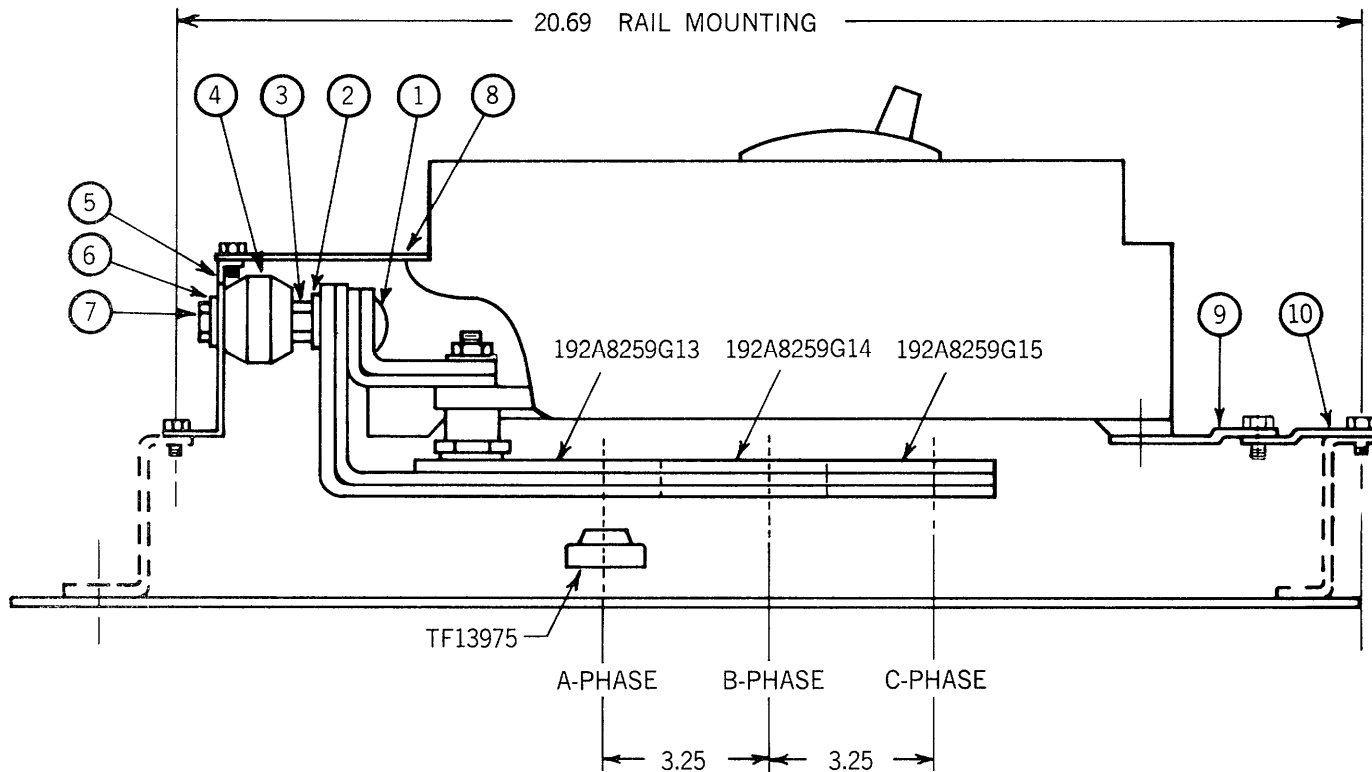




# Mounting Kit for 1200 Amp. TKM Circuit Breaker in CCB Panel, Cat. No. 343L620G1

(For use with Connection Straps, GE Cat. No. 192A8259G13, G14 and G15)



Mounting Kit consists of:

Item No.	Description	Qty.
1	Carriage Bolt	2
2	Conical Washer	2
3	Nut	2
4	Molded Insulator	2
5	Line End "Z" Support	1

Item No.	Description	Qty.
6	Lockwasher	2
7	Hex Bolt	2
8	Line End Insulation	1
9	Load End Mounting Bracket	1
10	Load End Adapter	1

Assemble as shown above.

**NOTE:** Screws for mounting items 5, 8, 9 and 10 must be supplied by customer.

*These instructions do not purport to cover all details or variations in equipment nor to provide for every possible contingency to be met in connection with installation, operation or maintenance. Should further information be desired or should particular problems arise which are not covered sufficiently for the purchaser's purposes, the matter should be referred to the General Electric Company.*

