



POWER BREAK[®] And HPC Switch Lug Kits

For 2500-4000A Frame Sizes

DESCRIPTION

These charts allow proper cabling to different types of breaker terminals and high pressure contact switches involving a range of lug kits. The lug kit

and stud catalog numbers are listed for the appropriate lug kit amp rating to ensure proper cabling.

2500 Ampere Frame Size

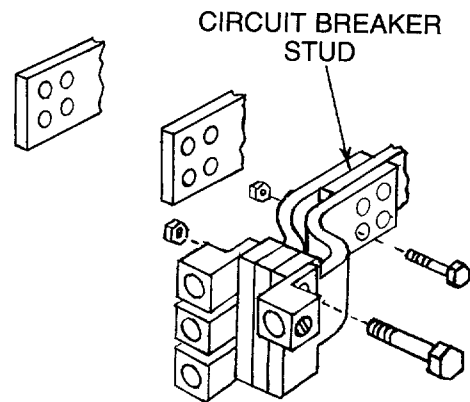
Kits include hardware for Line or Load ends.

Lug Kit Amp Rating	Lug Kit Cat. No.	Lugs Per Pole
800	TSLUG08	3
1200	TSLUG12	4
1600	TSLUG16	5
2000	TSLUG20	6
2500	TSLUG25	7

Stud Catalog Number

Type	Stud For Back Connected Bkrs.	Stud For Front Connected Breakers
Circuit Breaker Up to 2000 Amps Up to 2500 Amps	TS20BCA	TS20FCA*
	TS25BCA	TS25FCA
HPC Switch 2000 Amps 2500 Amps	Not Applicable	TS20FCA*
	Not Applicable	TS25FCA

*Not supplied with frame. Must be ordered separately.



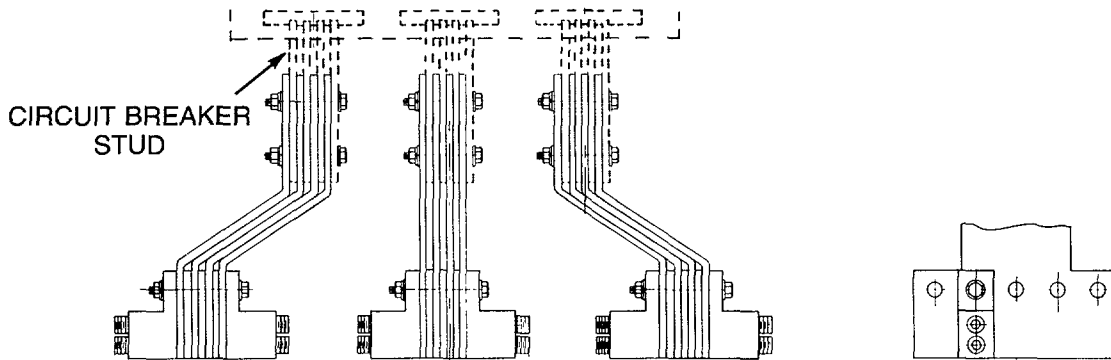
3000 and 4000 Ampere Frame Sizes

Kits include hardware for Line or Load ends.

Lug Kit Amp Rating	Lug Kit Cat. No.	Lugs Per Pole
3000	TSLUG30	9
4000	TSLUG40	11

Stud Catalog Number

Type	Stud For Back Connected Brks.	Stud for Front Connected Breakers
Circuit Breaker 3000 Amps 4000 Amps	Not Required Integral with Bkr.	TS30FCA
	Not Available	TS40FCA
HPC Switch 3000 Amps 4000 Amps	Not Applicable	TS30FCA
	Not Applicable	TS40FCA



© 1984 GENERAL ELECTRIC COMPANY

These instructions do not purport to cover all details or variations in equipment nor to provide for every possible contingency to be met in connection with installation operation or maintenance. Should further information be desired or should particular problems arise which are not covered sufficiently for the purchaser's purposes, the matter should be referred to the General Electric Company.

For further information
call or write your local
General Electric
Sales Office or . .

Construction Equipment
Business Operations
41 Woodford Avenue
Plainville, CT 06062 U.S.A.

Outside the U.S. and Canada write International Trading Operations,
570 Lexington Avenue, New York, NY 10022 U.S.A.

GEH-4303A 1184 PSA

GENERAL ELECTRIC