



INSTALLATION INSTRUCTIONS

SHUNT TRIP AND UNDERVOLTAGE RELEASE

FOR TYPES THJS, THJS, TJR, THJR

NOTE: U/L listing is voided when the circuit breaker is modified to add an accessory. The U/L label must be destroyed.

SHUNT TRIP — GENERAL

Provides remote tripping of circuit breaker when a control voltage is applied to accessory leads.

ELECTRICAL DATA

Shunt Trip Volts		Coil Current Max Amp		Catalog Number
AC	DC	AC (RMS)	DC	
120	125	1.0	1.0	TJSSTA12L
240		2.0		
480	600	1.5		TJSSTA13L
600		1.9		
	12		6.8	TJSSTA7L
	24		4.2	TJSSTA8L
	48		1.0	TJSSTA9L
	250		0.4	TJSSTA11L

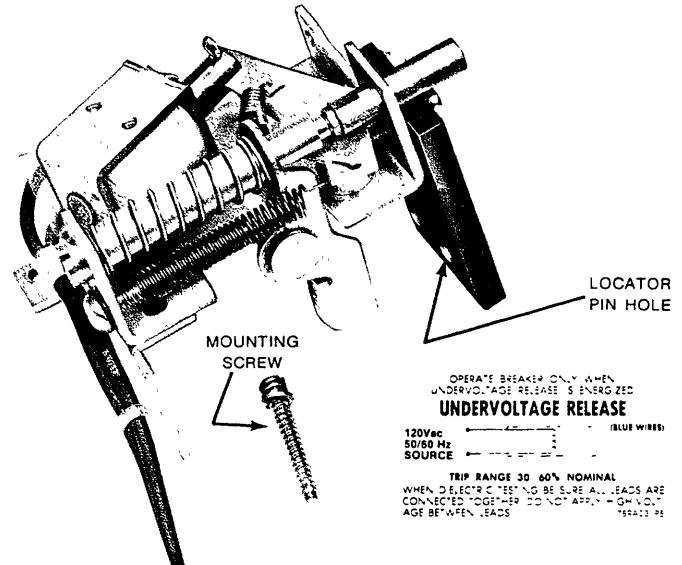


Figure 1

UNDER VOLTAGE RELEASE — GENERAL

Provides automatic tripping of circuit breaker when there is a power loss or major voltage dip (Below 30-60% of rated value) in accessory control voltage.

ELECTRICAL DATA

UVR Coil Voltage		Coil Current MA		Catalog Number
AC	DC	AC (RMS)	DC	
120		18		TJSUVA1L
240		18		TJSUVA2L*
480		18		TJSUVA4L*
600		18		TJSUVA6L*
	12		200	TJSUVA7L
	24		100	TJSUVA8L
	48		50	TJSUVA9L
	125		18	TJSUVA10L
	250		18	TJSUVA11L

*Externally mounted dropping resistor

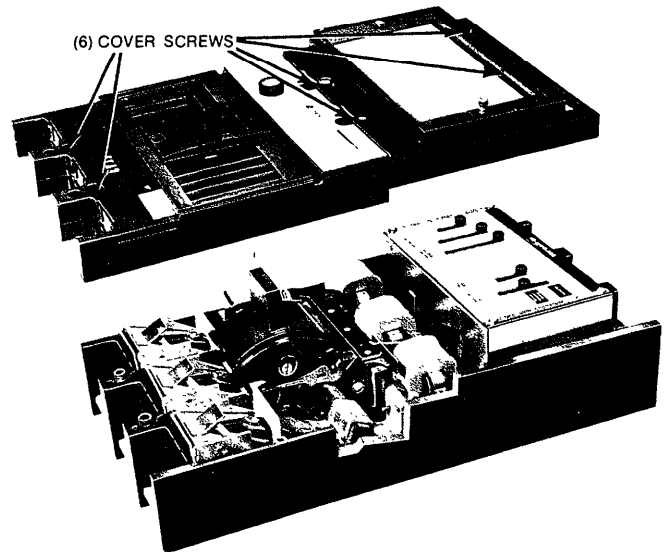


Figure 2

INSTALLATION — FOR SHUNT TRIP OR UNDERVOLTAGE RELEASE

WARNING: *The Circuit Breaker must be completely de-energized and disconnected from the circuit when accessories are installed.*

1. Place the breaker in a TRIPPED position (handle at midpoint) by depressing trip button.
2. Remove cover from breaker by removing (6) cover screws. (Figure 2)
3. Using a .125 diameter bit drill a thru hole as indicated. (Figure 3) This hole should be drilled from the back of the breaker using the spotting hole closest to the trip unit for locating. Remove all chips and debris from circuit breaker interior.
4. Install accessory as shown with operating levers behind cross bar and locator pin engaged in support. Secure with mounting screw. (Figure 4)
5. Adjust to dimension shown in Fig. 5 with circuit breaker in the ON position. (Solenoid plunger must be held in on undervoltage release.)
6. Mechanical Check Out

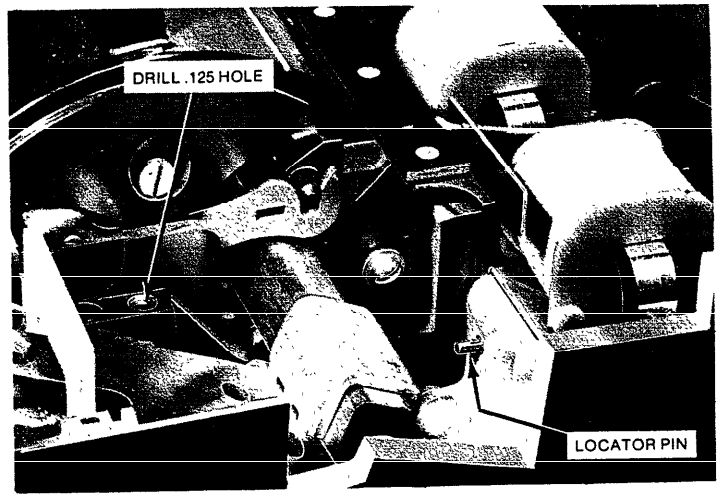


Figure 3

A. Shunt Trip

1. Relatch and turn breaker on.
2. Check cut-off switch actuator to insure it does not touch switch button. (Actuator should release switch button completely with breaker in the ON position.
3. Being careful to keep hands and fingers clear of breaker contact arms, pull solenoid plunger (see Figure 5). Breaker should trip. If not, retrace step 5.

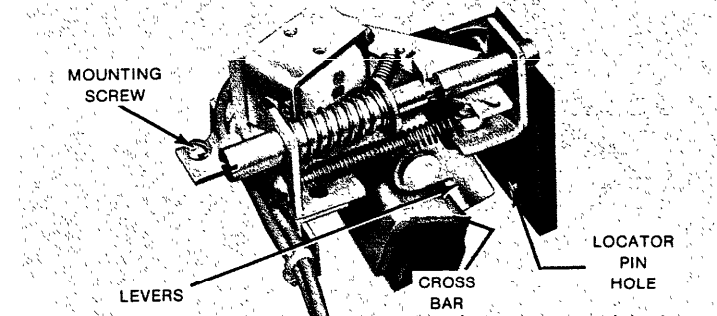


Figure 4

B. Undervoltage Release

1. Relatch breaker.
 2. Holding coil plunger in solenoid (Figure 5) turn breaker ON.
 3. Being careful to keep hands and fingers clear of breaker contact arm, slowly release coil plunger from solenoid, breaker should trip, if not, retrace step 5 of Adjustment.
7. Slot cover for wire lead exit as shown and affix identification labels. (Figure 6)
 8. Replace the breaker cover, taking care that strain relief ties are placed one on each side of cover slot.

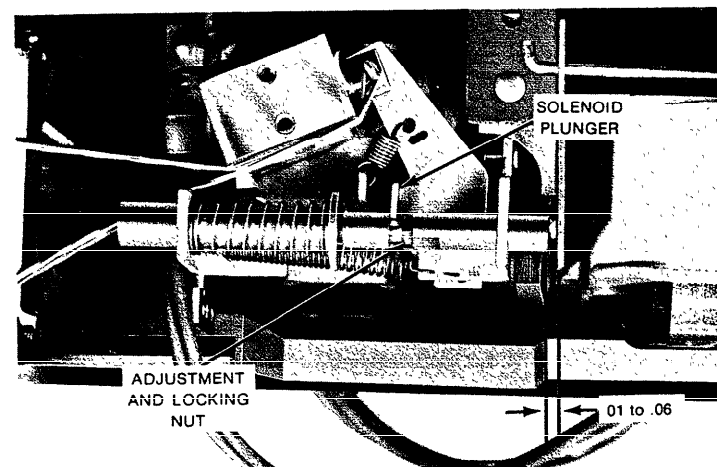


Figure 5

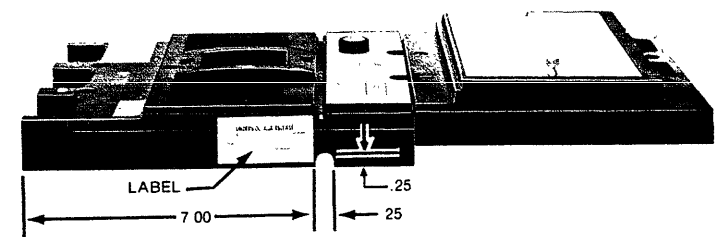


Figure 6

These instructions do not purport to cover all details or variations in equipment nor to provide for every possible contingency to be met in connection with installation, operation or maintenance. Should further information be desired or should particular problems arise which are not covered sufficiently for the purchaser's purposes, the matter should be referred to the General Electric Company.