

Instructions  
for field  
installable  
accessories



# Motor-Operated Mechanisms

## For Types TED, THED, TEC, TEB, TBI

### Description

A motor-operated mechanism is designed to open, close and reset a circuit breaker by remote control.

In an operating installation, the customer must supply normally open ON and OFF push buttons, external wiring, a control power source, and any control circuitry.

### Electrical Operation

With the breaker and operating mechanism in OFF position, press the ON button to energize the motor, closing the breaker. When the breaker handle reaches the ON position, the control circuit is disconnected by an internal limit switch.

When the OFF button is pressed, the motor is energized, opening the breaker. After the breaker handle reaches the OFF position, the limit switch de-energizes the control circuit.

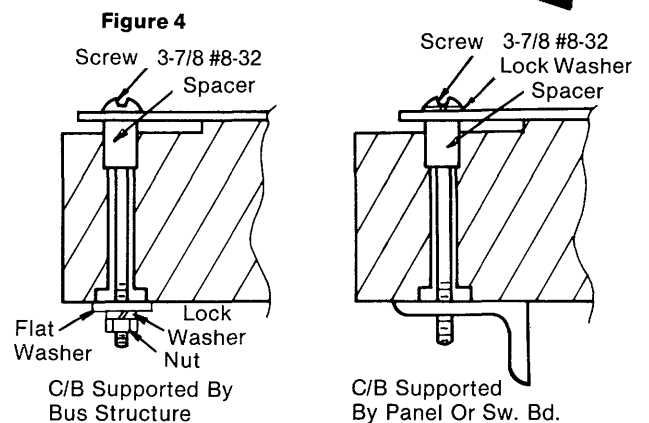
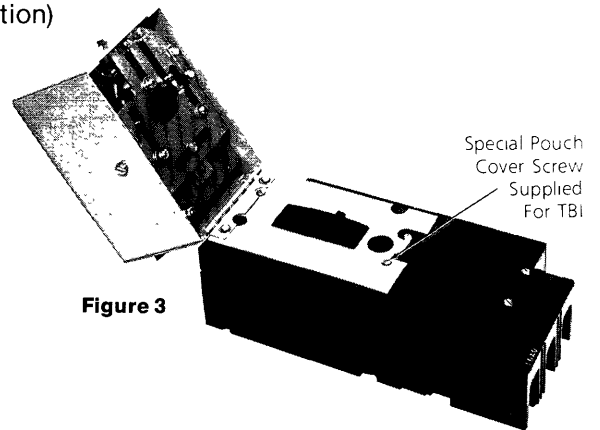
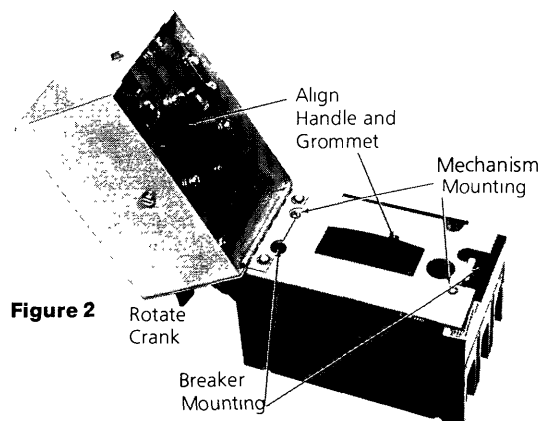
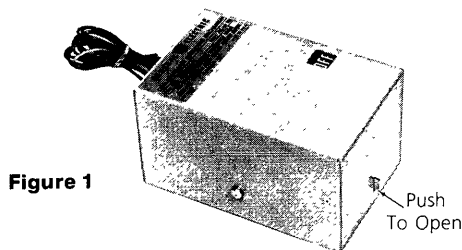
When the circuit breaker trips automatically, there is no external trip indication, unless a separate bell alarm accessory is provided to actuate a warning device. It is necessary to press the OFF button to reset the breaker.

### Automatic Reset

For automatic reset, an auxiliary switch which is available as an accessory is used to return the breaker to the OFF/RESET position after it has tripped. The switch is mounted inside the breaker and wired in parallel with the OFF button. When the breaker trips, the switch closes, moving the breaker handle to the OFF/RESET position. After the motor-operated mechanism has reset the breaker the limit switch again opens the circuit. To use automatic reset the ON pushbutton must be SPDT type and wired as in Fig. 6.

### Manual Operation

Lift the cover to disengage the handle and operate the breaker handle. To return to electrical operation, align the breaker handle with the operating mechanism and close the cover. (See electrical operation)



## Electrical Data

Catalog No	Control			Timing (Sec)		Recommended Fuse (Time Delay)
	Volts	In Rush (Amp)	Running (Amp)	Closing	Opening Reset	
TEDMOMA1	120 VAC	3.0	1.6	1.5	1.5	0.5 Amp (Time Delay)
TEDMOMA2	240 VAC	2.5	1.0	1.5	1.8	
TEDMOMA8	24 VDC	2	1.0	1.5	1.5	

## Installation

### WARNING:

**The circuit breaker should be de-energized before motor operator is installed.**

1. Mount circuit breaker using diagonal mounting screw locations. (Figure 2)
2. Connect line and load circuit breaker terminals.
3. Install motor operating mechanism using remaining diagonal mounting screw locations. (Figure 2) See (Figure 4) for alternate mounting. For TBI use special cover screw supplied (Figure 3).\*
4. Align slide mechanism grommet and circuit breaker handle by rotating crank or by moving circuit breaker handle. Close cover.
5. Electrically test per specified electrical data above. Refer to (Figure 6) for schematic and auto reset diagram.

\*Mounting hardware for plug-in base 343L564G7

Figure 5

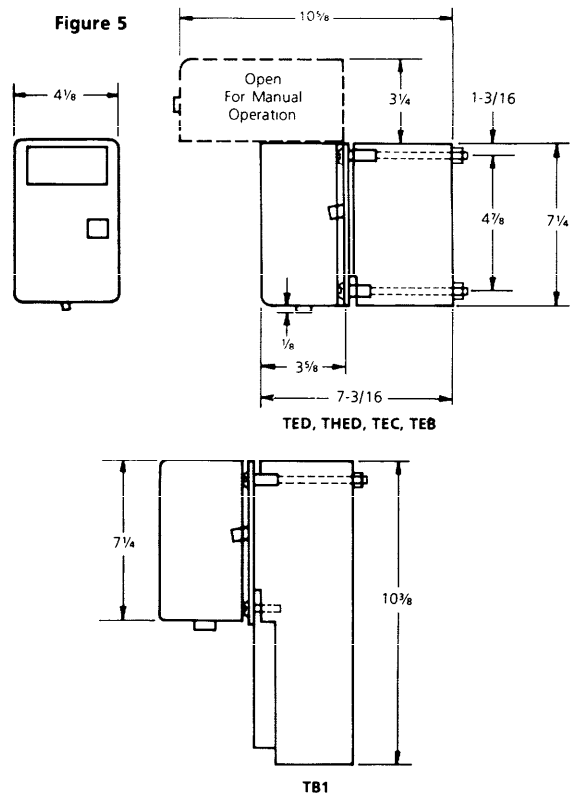
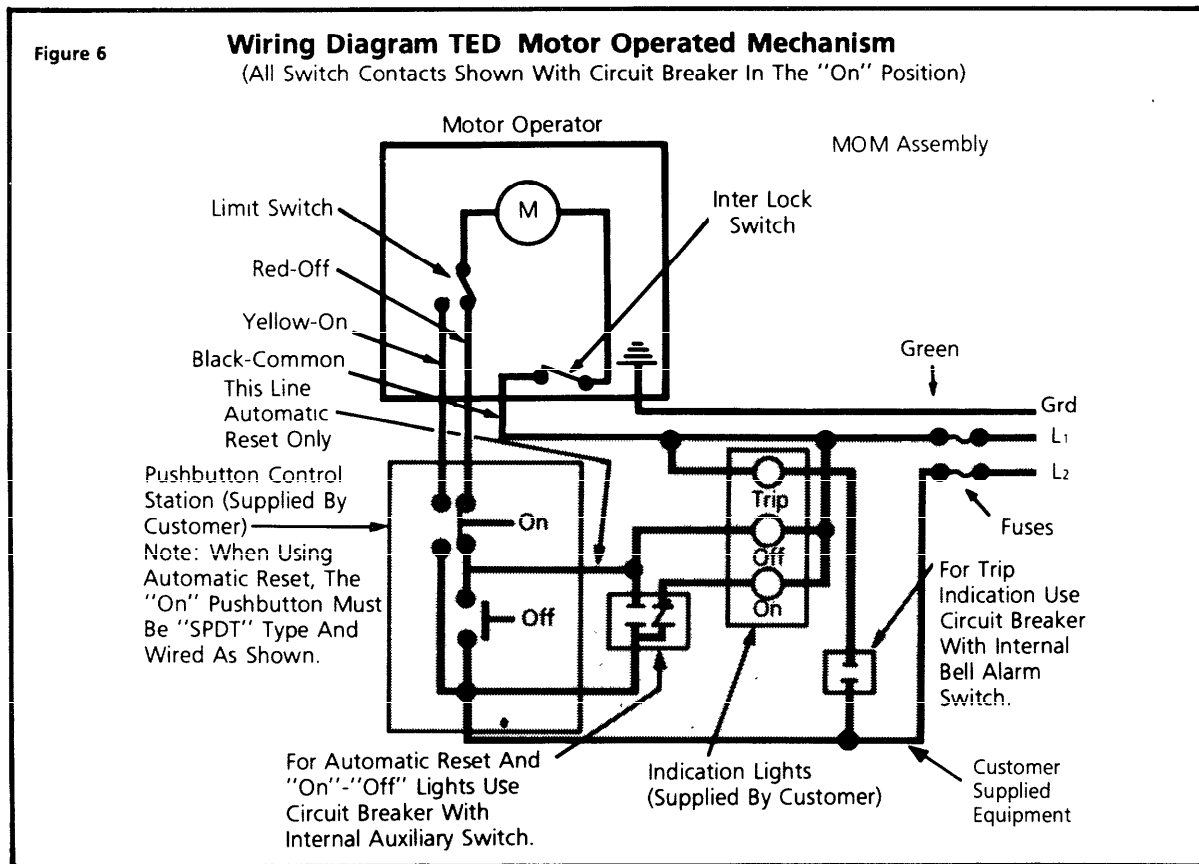


Figure 6

### Wiring Diagram TED Motor Operated Mechanism

(All Switch Contacts Shown With Circuit Breaker In The "On" Position)



These instructions do not purport to cover all details or variations in equipment nor to provide for every possible contingency to be met in connection with installation operation or maintenance. Should further information be desired or should particular problems arise which are not covered sufficiently for the purchaser's purposes, the matter should be referred to the General Electric Company. These instructions are intended for use by qualified personnel only.

For further information call or write your local General Electric Sales Office or...

Distribution Equipment Division  
41 Woodford Avenue  
Plainville, CT 06062 U.S.A.