



Power Break® Draw Out

Secondary Disconnects for Additional Control Devices

DESCRIPTION

The "finger" secondary disconnect for breaker mounting (Fig. 2) and the "slide" disconnect for substructure mounting (Fig. 1) are supplied separately. They are intended for use when additional accessories are added in the field, and more disconnect points than are available are required.

INSTALLATION INSTRUCTIONS

All factory installed accessories are wired alpha-numerically in a set sequence, as shown in Fig. 3 and 4, following the accessory lead number defined on the circuit index card (GEJ-3038 for MicroVersaTrip®, MagneTrip™ and Molded Case Switches.) No positions are left open for missing accessories. So, if the customer chooses to add these later, it may be impossible to follow the sequence and create wiring problems if a replacement unit is ordered later. Therefore, it will be the customer's responsibility to notify the factory as to what positions are required, or to modify the circuit positions on the housing to suit.

With the breaker removed from the substructure, install the finger disconnect (Fig. 2) in the next sequence location (Fig. 3 and 4). Position the unit with wire terminal screws toward the front of the breaker using the 1/4" long screws and lockwashers supplied (torque to 15-20 in. lbs.).

Install the accessory as described in the instruction sheet supplied with it, and, route the wires as suggested in Fig. 3, 4, 5 and 6 using sleeving, as required, attaching to the drawout side sheets with wire ties or clamps as shown.

IMPORTANT: Following the index card, and Fig. 11 on back page, pre-position the wires in numerical order, top to bottom, cut, strip and crimp on terminals supplied and attached to the desired positions. Label with the correct circuit tabs.

Refer to Fig. 11 for typical wiring examples.

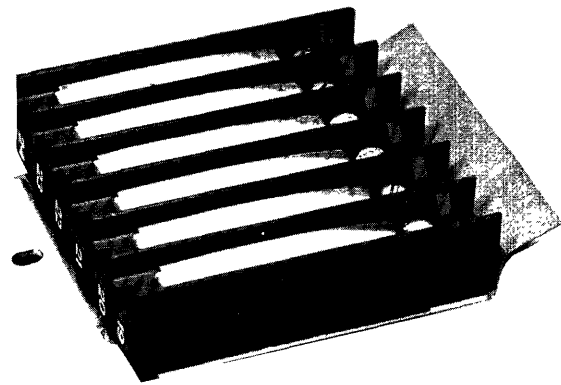


Fig. 1

Substructure mounted slide disconnect, TDOSD6S

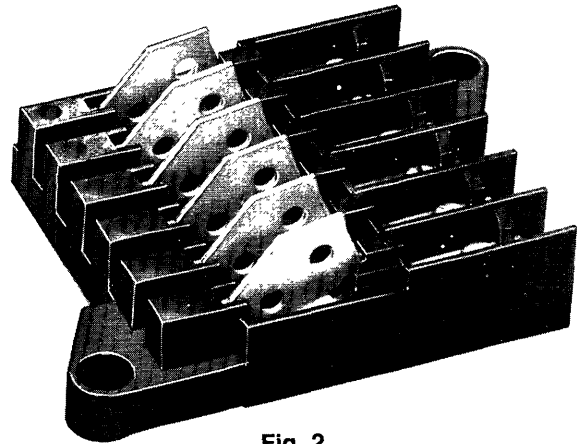


Fig. 2

Breaker mounted finger disconnect, TDOSD6B

CAUTION:

Before installing the slide disconnect, all primary power should be shut off.

Position the slide disconnect in the correct location to match the position chosen for the finger disconnect unit (Fig. 7) and attach with hardware as shown in Fig. 8, 9A or 9B making sure terminal screws are to the rear of the compartment.

Apply circuit number tabs as shown in Fig. 8 corresponding to the location chosen for the breaker disconnects and connect external control wiring to correct terminal screws. Holes have been provided in rear flanges and

sides of housing to permit wire passage. Wire ties are included in kit to bundle conductors and grommets for the large wire holes at the rear of the compartment.

CAUTION — Do not attach more than one wire per terminal, and use **only uninsulated crimp terminals**. (#16 - #14 awg) Hollingsworth cat. no. BS41272B are supplied. Wires should extend straight back along the compartment wall because any excess height at the terminal screws may cause the fingers to lift, not allowing proper contact.

Install the breaker in the test or connect position in the substructure. (Figures 8, 9A, and 9B.)

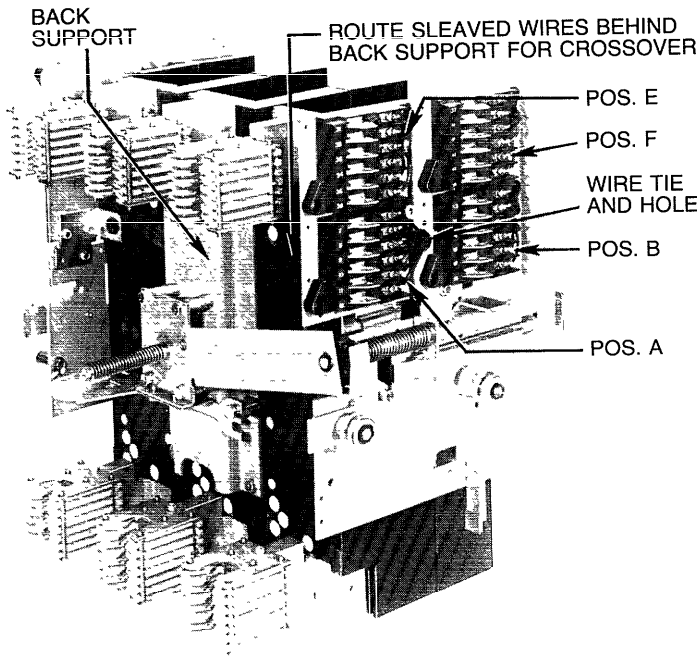


Fig. 3 View of left side.

800-2000A FRAME SIZES
Note: 800A—Positions A-B-C-D Only

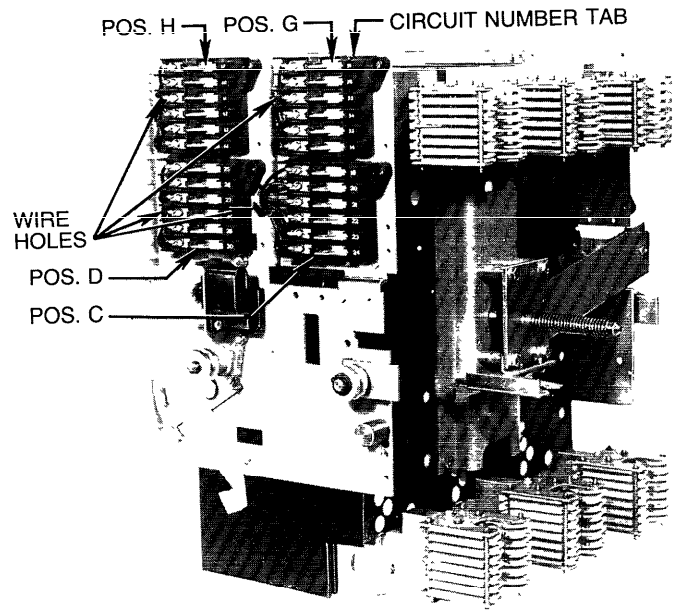
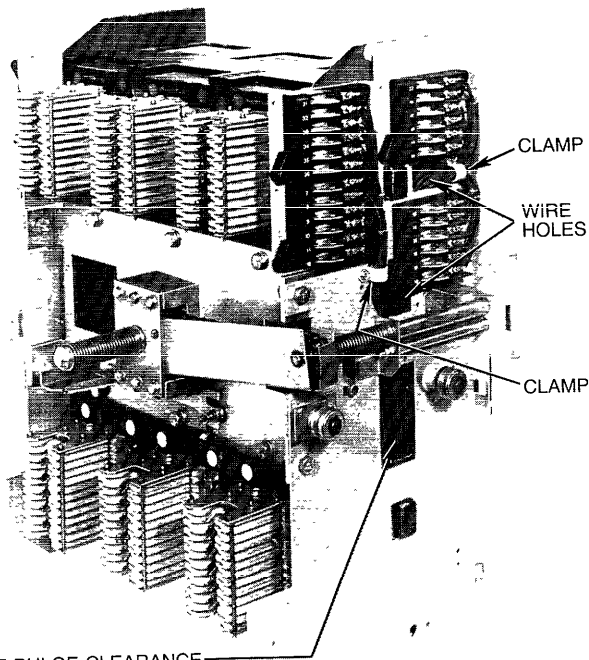


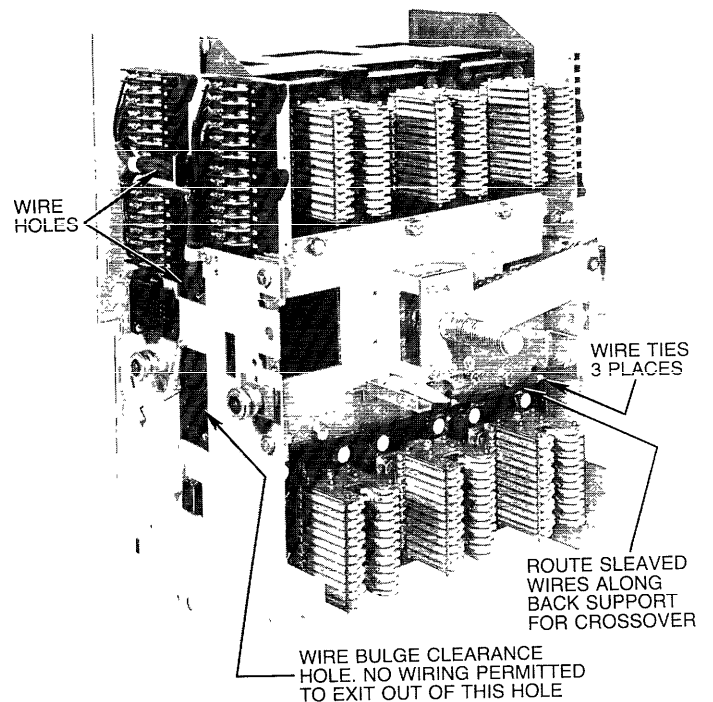
Fig. 4 View of right side.



WIRE BULGE CLEARANCE HOLE. NO WIRING PERMITTED TO EXIT OUT OF THIS HOLE

Fig. 5 View of left side.

2500-4000A FRAME SIZES



WIRE BULGE CLEARANCE HOLE. NO WIRING PERMITTED TO EXIT OUT OF THIS HOLE

Fig. 6 View of right side.

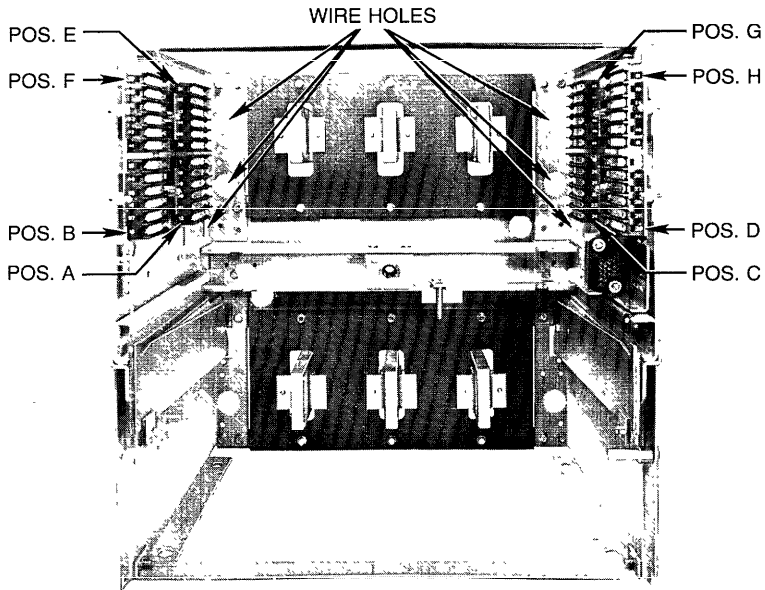
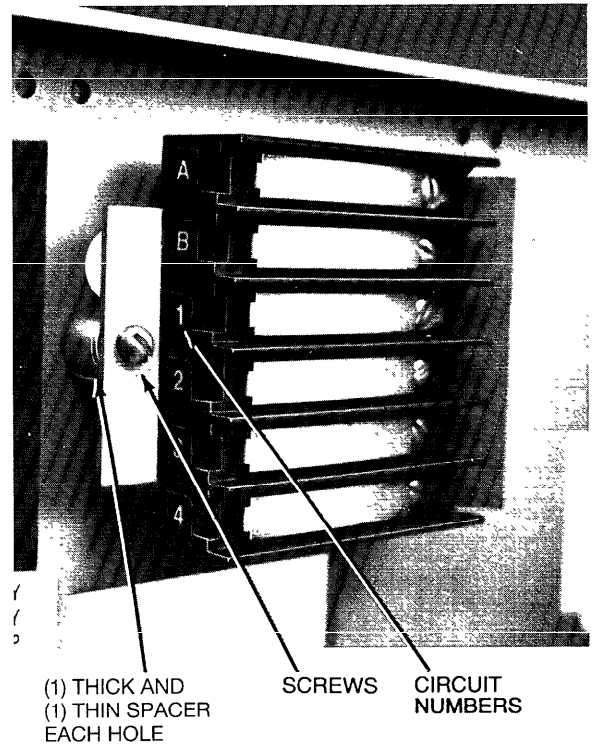
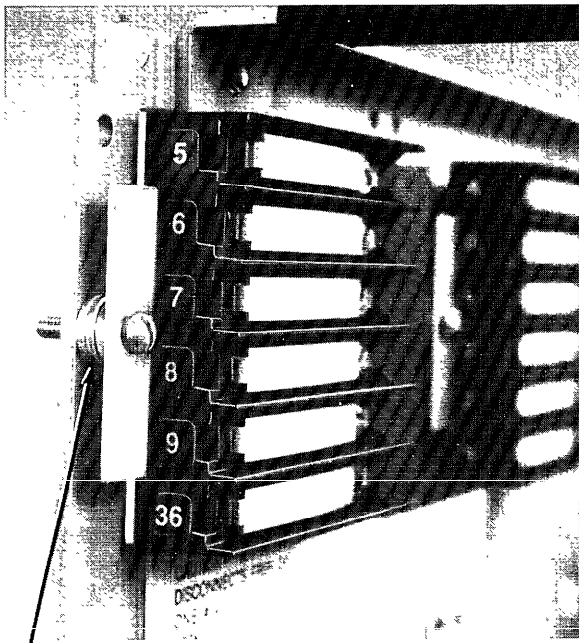


Fig. 7

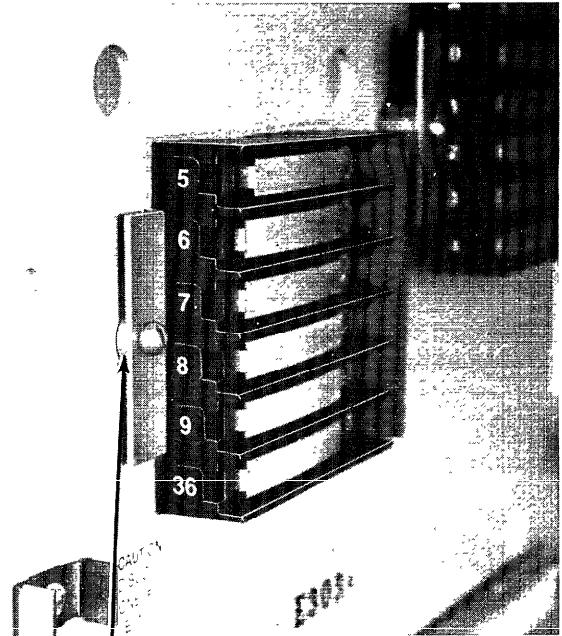


**Fig. 8 Rear disconnect.
TDOS08 thru TDOS40**



(3) THIN SPACERS AT FRONT
HOLE AND (1) THIN SPACER
AT REAR HOLE FOR 14" AND
21" HIGH SUBSTRUCTURE UNITS

**Fig. 9A Front disconnect.
TDOS08 thru TDOS20**



(1) THIN SPACER AT EACH HOLE FOR
ALL 28" HIGH SUBSTRUCTURE UNITS

**Fig. 9B Front disconnect.
TDOS25 thru TDOS40**

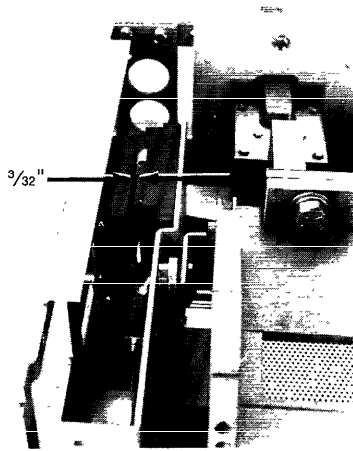


Fig. 10 Secondary disconnect adjustment

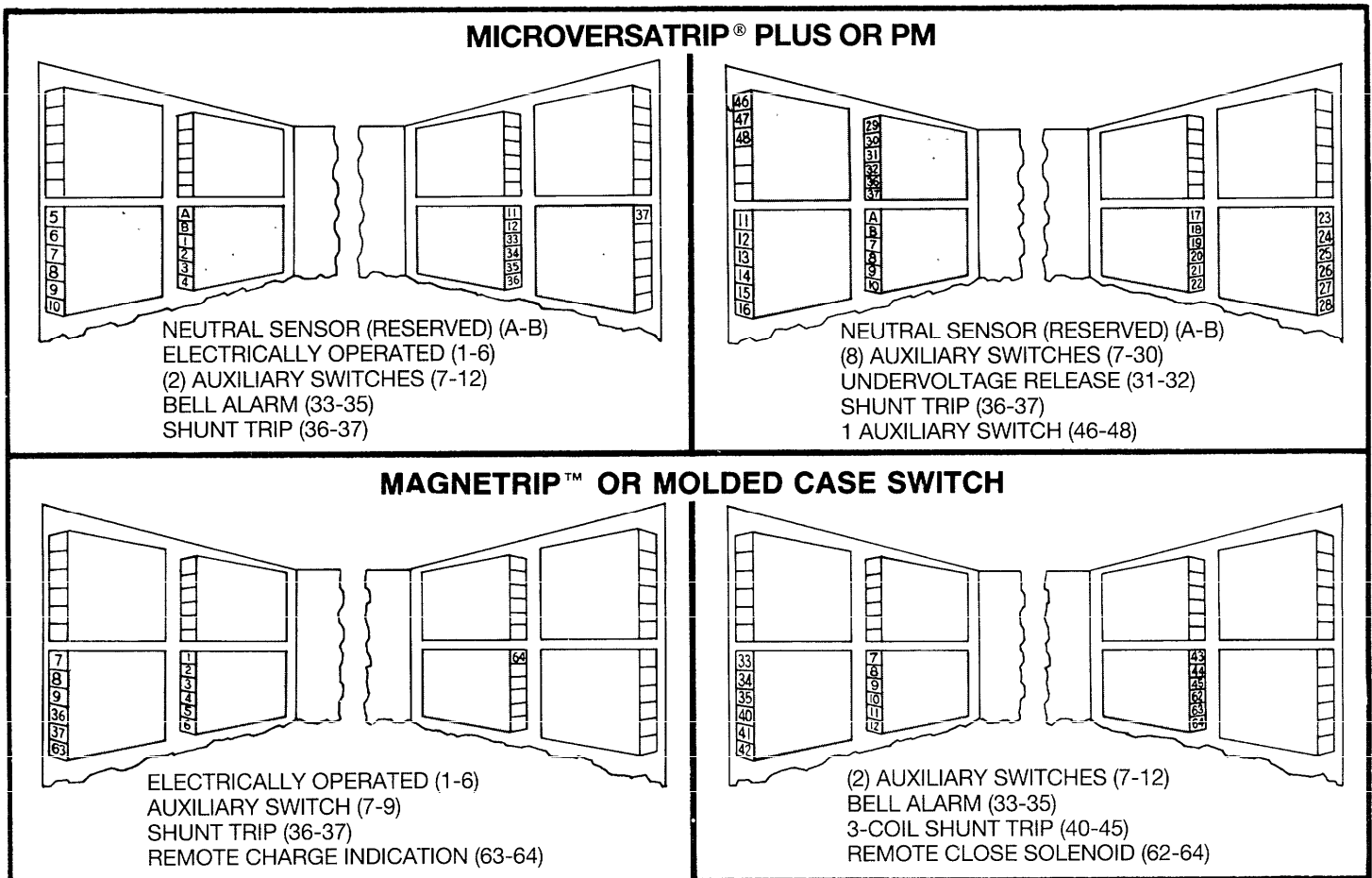


Fig. 11. Typical terminal location examples

These instructions do not purport to cover all details or variations in equipment nor to provide for every possible contingency to be met in connection with installation operation or maintenance. Should further information be desired or should particular problems arise which are not covered sufficiently for the purchaser's purposes, the matter should be referred to the GE Company.



GE Electrical Distribution & Control

General Electric Company
41 Woodford Ave., Plainville, CT 06062