

GEH-4737 Installation Instructions
CR1062RL and SL

manual motor starters

WITH LOW VOLTAGE PROTECTION (LVP)

INSTRUCTIONS

CAUTION: Before installing in a nuclear application, determine that the product is intended for such use.



**DISCONNECT ALL POWER
BEFORE SERVICING**

**READ INSTRUCTIONS
FOR THIS EQUIPMENT**

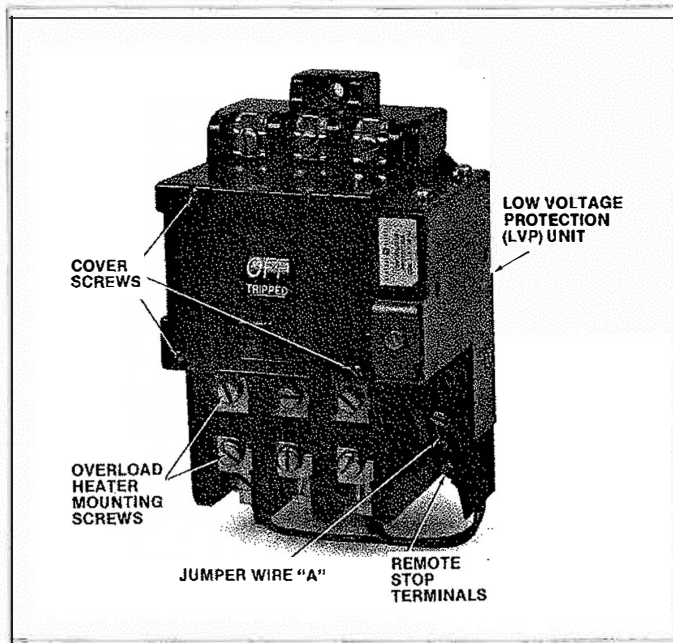


Figure 1. CR1062RL manual motor starter with low voltage protection

GENERAL

The CR1062RL & SL manual motor starters are designed to meet motor starter applications where low voltage protection is required. Low voltage protection (LVP) on the CR1062RL & SL is provided by a solenoid assembly which de-energizes and turns off the starter when a loss of power occurs. The motor cannot be restarted until power is restored and the motor starter is turned to the on position. Terminals are provided for the installation of a remote stop contact. The CR1062RL & SL starters are also provid-

ed with thermal overload relays for motor overcurrent protection.

INSTALLATION AND WIRING

1. Be sure line power is off before wiring.
2. Be sure that the low voltage protection solenoid coil is the correct voltage. The coil voltage is shown on the label attached to the LVP unit.
3. Connect line and load wires. To install a remote stop, see instructions below.
4. Select the proper overload heaters from the heater table provided with the starter and install where shown in Figure 1.
5. Check the low voltage protection unit by attempting to turn on the starter with the line power off. The starter should immediately turn off when the toggle or start button is released. The starter should remain on when the line power is on, if not, recheck coil voltage.

INSTALLATION OF A REMOTE STOP

1. Disconnect all power to the starter.
2. Locate the top clamp type terminals on the LVP unit. (Figure 1.)
3. Loosen the terminals and remove the jumper wire "A". (Figure 1.)
4. Wire the remote stop pilot device between the terminals.

CONNECTION DIAGRAM

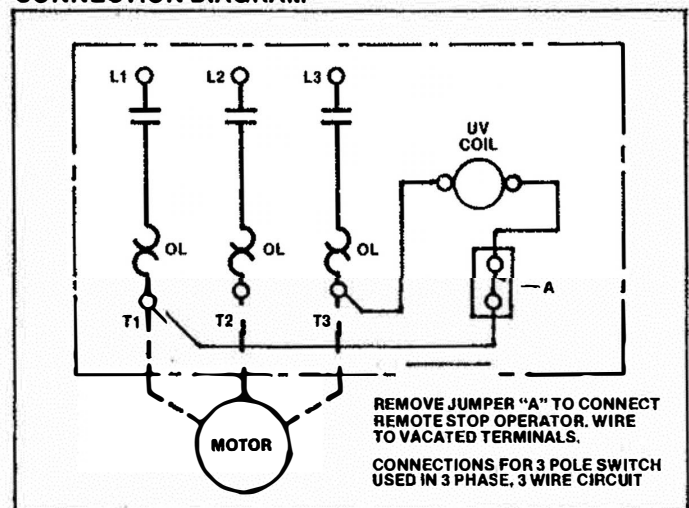


Figure 2. Typical connection diagram for CR1062RL and SL manual starters

These instructions do not purport to cover all details or variations in equipment nor to provide for every possible contingency to be met in connection with installation, operation or maintenance. Should further information be desired or should particular problems arise which are not covered sufficiently for the Purchaser's purposes, the matter should be referred to the nearest ABB Sales Office.

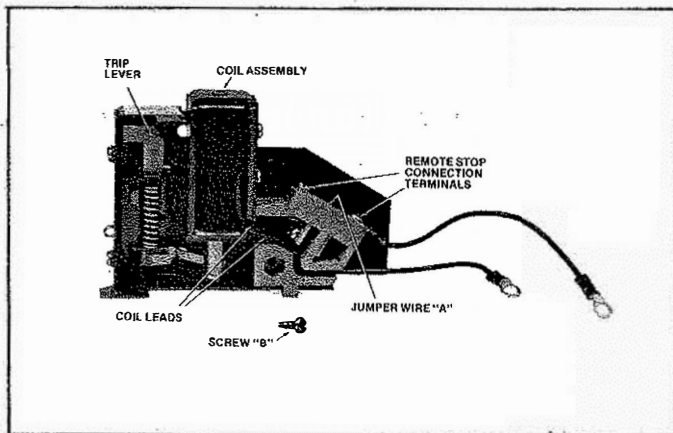


Figure 3. Low voltage protection (LVP) unit.

CONTACT REPLACEMENT

1. Disconnect all power to the starter and remove from enclosure.
2. Remove LVP coil connections from starter load terminals.
3. Remove starter cover.
4. Turn starter over and remove screw "B" holding the LVP unit. Remove LVP unit from starter.
5. Locate and remove the three screws securing the upper housing. These are in recessed pockets in the corners of the upper housing. Pull up on housing and remove operating mechanism, upper housing, and tip carrier from base.
6. Remove overload relay heaters.
7. Replace movable and stationary contacts.

8. Reverse above procedure to reassemble starter. Be sure return spring is present. Be sure the tip carrier is properly seated in the operating mechanism and that the starter operates smoothly.
9. Make sure the coil leads of the LVP unit are placed in the wire trough (Figure 3).
10. Place LVP unit in original position and secure with screw "B". Before tightening starter cover screws, be sure that the trip lever (Figure 3) is under the lever extending from the starter body. The trip lever can be depressed with a small screwdriver. Make sure the toggle or pushbutton is in the original position. Align LVP cover with slot on starter cover and tighten starter cover screws. Reconnect coil leads to starter load terminals as shown on heater table diagram.
11. Check LVP operation by attempting to turn on starter with the line power off. The starter should immediately turn off when the toggle or start button is released. If it fails to turn off, check to see that the trip lever is properly located (see step 10). The starter should remain on when the line power is on, if not, recheck coil voltage.
12. Remount starter in enclosure.

RENEWAL PARTS

To order Renewal Parts or to obtain information regarding parts not listed, contact the nearest General Electric Sales Office.

REPLACEMENT CONTACTS

Device Catalog Number	1 Pole Contact Kit
CR1062R	55-158475G001
CR1062S	55-158475G002