

Installation—CR305X530B Hand-Off-Auto Selector Switch Kit

1. Follow steps 1 through 4 of installation of pushbutton kit.
2. Connect the wires from the selector switch unit in accordance with Figure 4 and the wiring diagram.
 - A. Insert black wire into top left coil terminal.
 - B. Insert black/red wire under clamp of terminal L1.
 - C. Insert black/white wire into top terminal of auxiliary interlock.
3. Follow steps 6 and 7 under Installation of Pushbutton Kit.

Connection Diagram

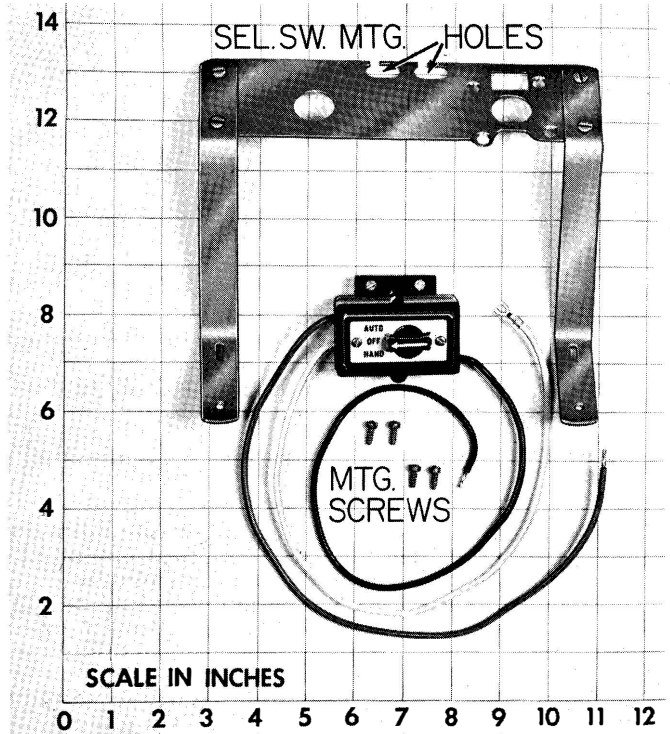
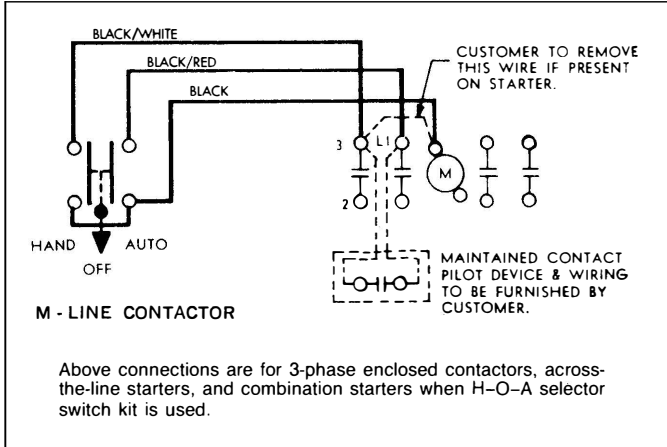


Figure 4. CR305X530B component parts

Installation—CR305X530D OFF-ON Selector Switch Kit

1. Follow instructions outlined for the CR305X530B Hand-Off-Auto selector switch kit except wire as shown in connection diagram Figure 3.

Connection Diagram

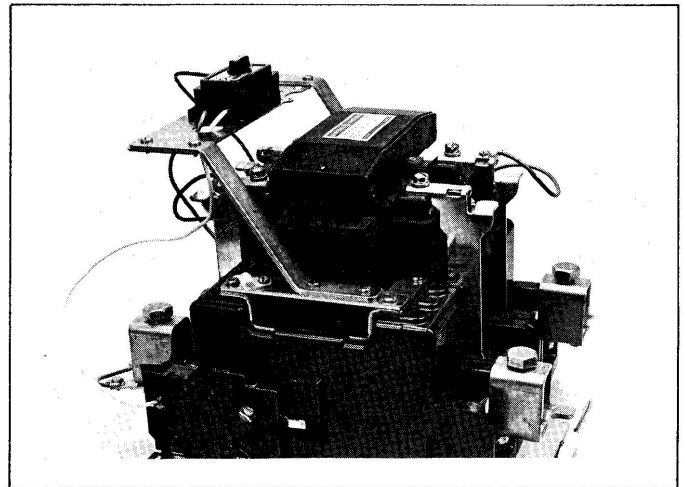
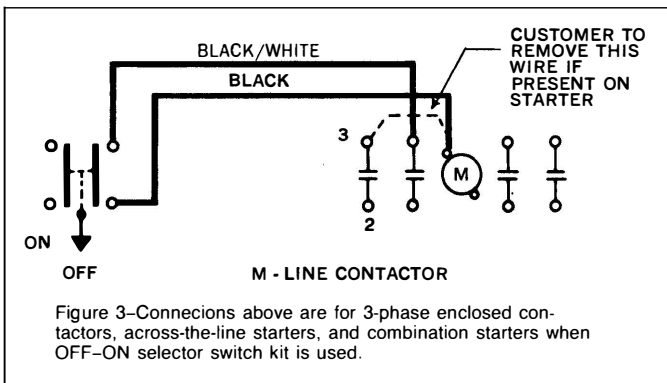


Figure 5. CR305X530B installed

These instructions do not purport to cover all details or variations in equipment nor to provide for every possible contingency to be met in connection with installation, operation or maintenance. Should further information be desired or should particular problems arise which are not covered sufficiently for the Purchaser's purposes, the matter should be referred to the nearest ABB sales office.