



GEH-4842 Connection Instructions

Control Power Transformer Kits CR308XT Series

Caution: Before installing in a nuclear application, determine that the product is intended for such use.

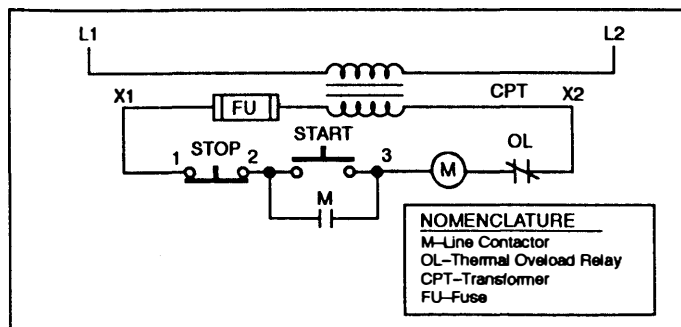
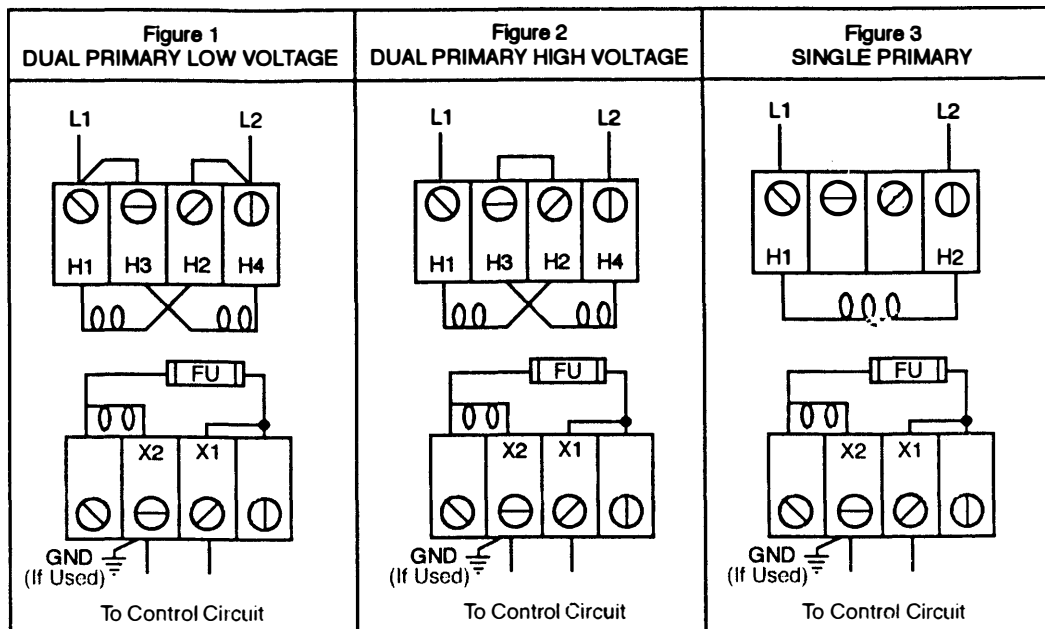
Warning: Disconnect power before installing or servicing.

Size 1–4 Kits Installation

(These instructions are typical for NEMA Size 0, 1, 2, 3, and 4 devices.) The CR308XT control transformer kit comes complete with necessary hardware ready for installation on any NEMA Size 0 through 4 contactor or starter. The following steps are used for installing the transformer.

1. Remove power from device.

2. Select transformer connection to be used from Figure 1, 2, or 3. Connect transformer windings as shown. (Reference transformer for proper voltage. Change contactor coil to proper secondary voltage if necessary.)
3. Mount transformer.
4. Disconnect control wire from L1. Reconnect this wire to X1 on transformer.
5. Disconnect control wire from L2. Reconnect this wire to X2 on transformer.
6. Connect a wire from H1 on transformer to L1.
7. Connect a wire from H2 to L2 (for single primary transformer) or from H4 to L2 (for dual primary transformer).
8. Secure this instruction to inside of cover.
9. Restore power.



Typical control elementary (Size 1 – 4)

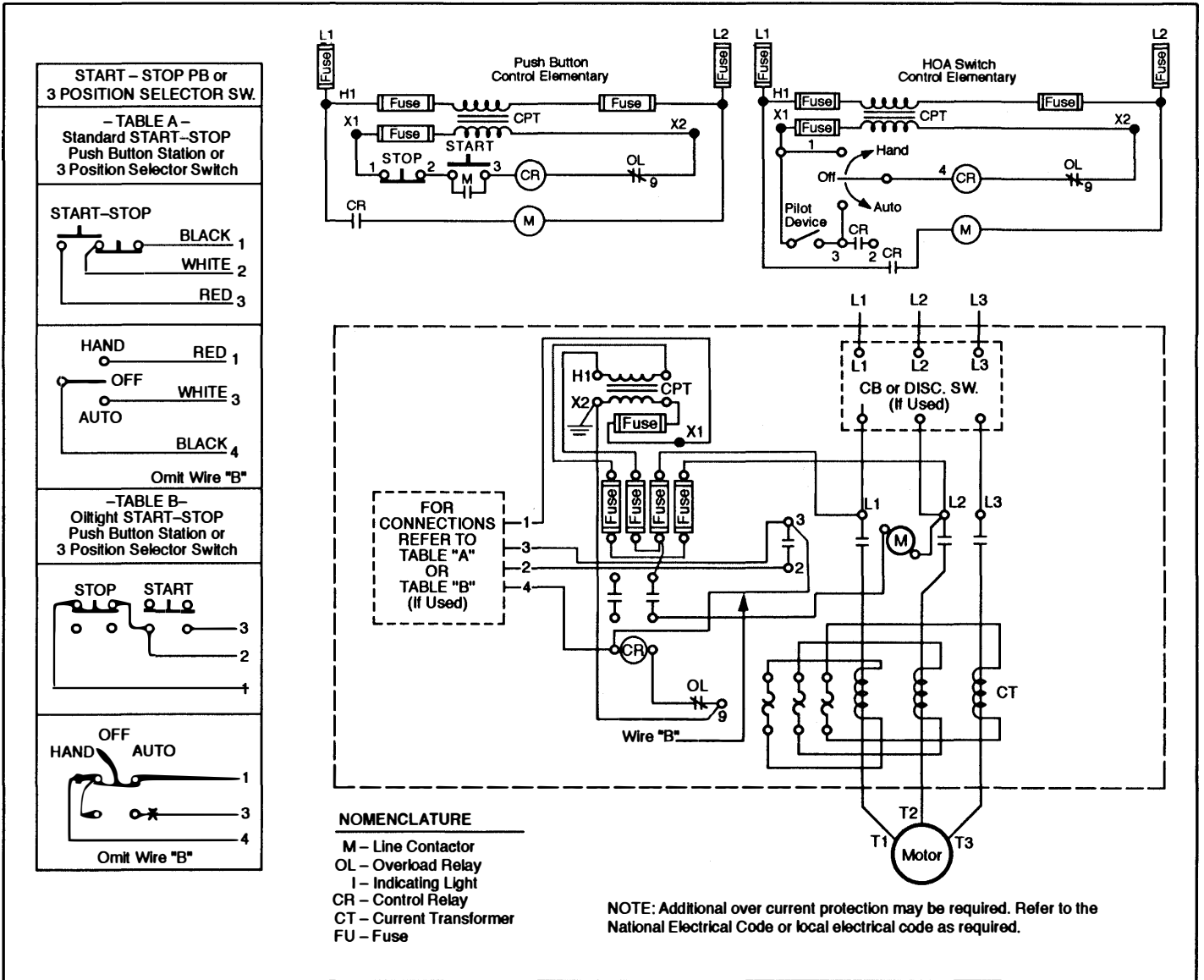
Size 5,6 Kit

(These instructions are typical for NEMA Size 5,6 devices.) The CR308XT5 control transformer kit comes complete with necessary hardware for installation with any NEMA Size 5,6 contactor or starter. It includes fuses, a transformer, and control relay. The transformer will power the relay in the lower voltage control circuit. The relay contacts will power the contactor coil at line voltage. The following steps are used for installing the transformer kit.

1. Remove power from device.
2. Select transformer connection to be used from Figure 1, 2, or 3. Connect transformer windings as shown. (Reference transformer for proper voltage.)
3. Mount transformer, control relay, and fuses.

4. Referring to wiring diagram, rewire the starter control circuit. Check wiring carefully.

5. Restore power



NOMENCLATURE
M – Line Contactor
OL – Overload Relay
I – Indicating Light
CR – Control Relay
CT – Current Transformer
FU – Fuse

NOTE: Additional over current protection may be required. Refer to the National Electrical Code or local electrical code as required.

These instructions do not purport to cover all details or variations in equipment nor to provide for every possible contingency to be met in connection with installation, operation, or maintenance. Should particular problems arise which are not covered sufficiently for the Purchaser's purposes, the matter should be referred to the nearest ABB sales office.