

g

Spectra Series™ Fusible Switch Units

30/60 Ampere Expansion Kit



WARNING: Danger of electrical shock or injury. Turn OFF power ahead of the panelboard or switchboard before working inside the equipment or removing any component. Do not remove circuit protective devices or any other component until the power is turned OFF.

Installing the Expansion Kit

1. **Remove the switch.** Loosen the rail latch screws and remove the switch by pulling up on the latch handles while pulling the device from the equipment, as shown in Figure 1.
2. **Prepare the enclosure.** Remove and discard the blank cover and the bottom insulator from the bottom of the device, as shown in Figure 2.
3. **Install the straps.** Install the connecting straps with the 10-32 x 1/2" screws provided, as shown in Figure 3. Tighten the screws to 27–32 in-lb.

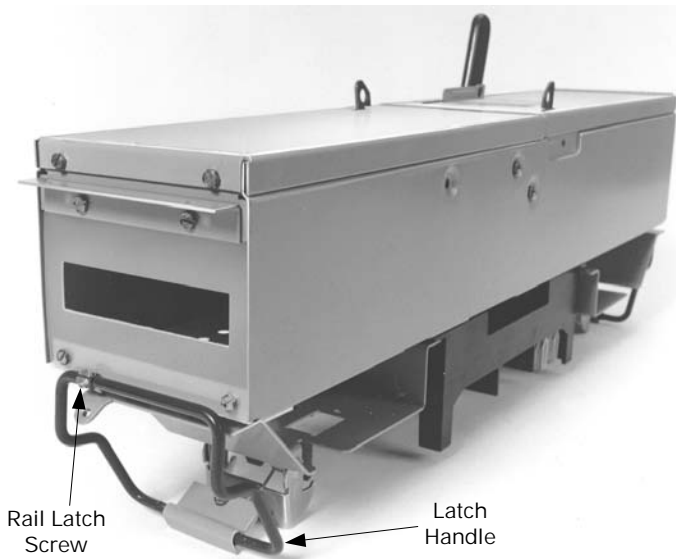


Figure 1. Removing the switch from the equipment.

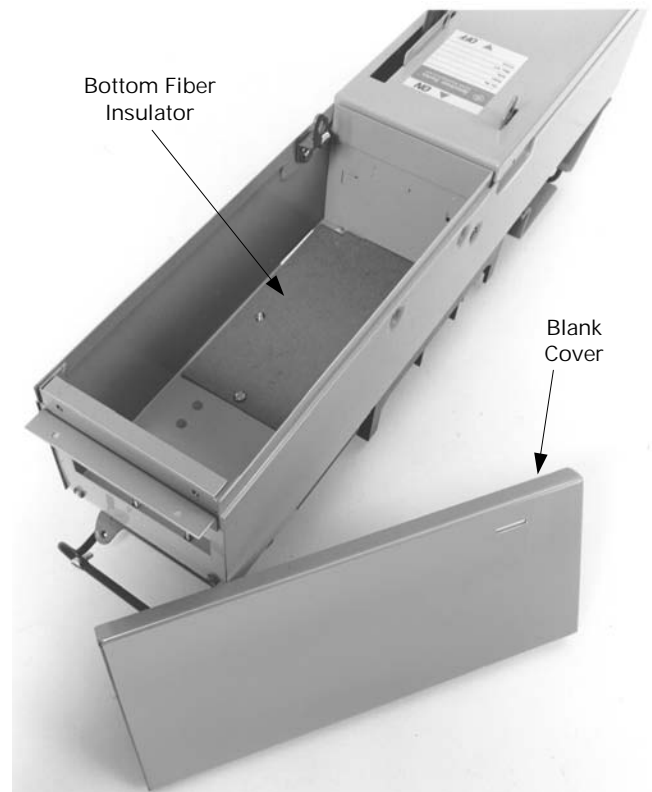


Figure 2. Removing the blank cover and bottom insulator.

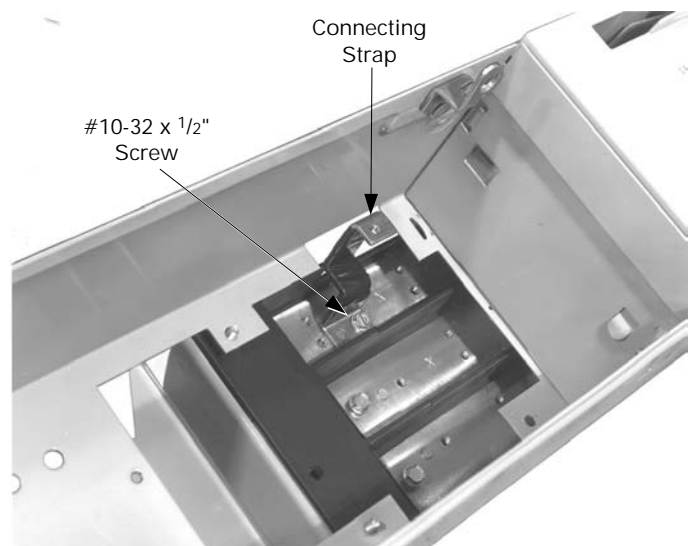


Figure 3. Installing the connecting straps.

4. **Prepare the switch.** Remove and save the hex nuts from the studs, the red arc cover, and the load base on the expansion switch, as shown in Figure 4.
5. **Install the kit.** Position the switch base over the connecting straps, as shown in Figure 5. Replace the load base and the hex nuts on the plate studs. Tighten the nuts to 27–32 in-lb. turn the switch back over to its upright position.
6. **Make the connections.** Install #10-32 x 1/4" screws into the mechanism shroud mounting holes, as shown in Figure 6. Install #10-32 screws with washers into the straps inside the switch base and tighten to 27–32 in-lb. Invert the switch and replace the hex nuts on the studs. Tighten the nuts to 27–32 in-lb.
7. **Install the cover.** Replace the endwall barrier and mounting screws, as shown in Figure 7. Install the red arc cover on the switch base and tighten the mounting screws. Position the new enclosure cover in place on the enclosure and secure the hinge with #10-32 x 1/4" screws. Tighten the screws to 27–32 in-lb. Reinstall the switch in the panelboard and secure the rail latch locking screws.

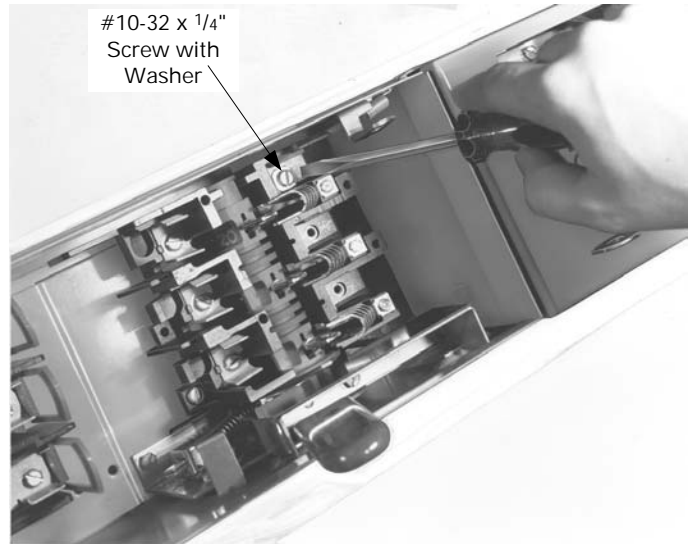


Figure 6. Making the connections.

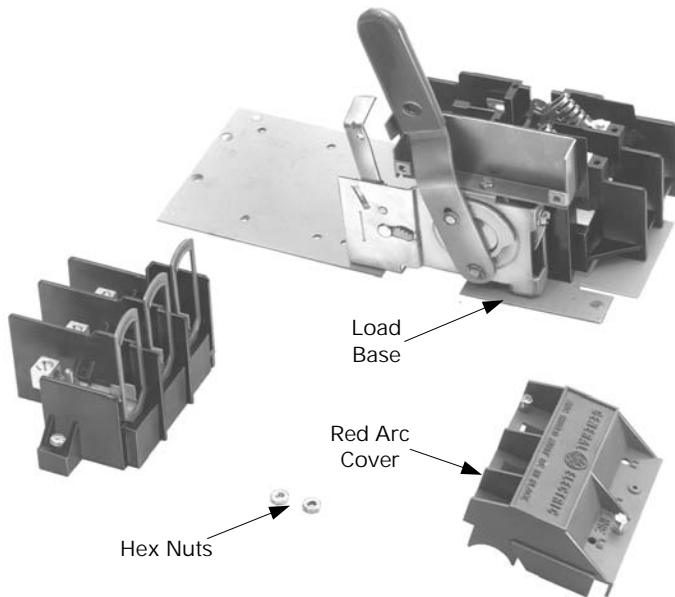


Figure 4. Removing the hex nuts from the switch.

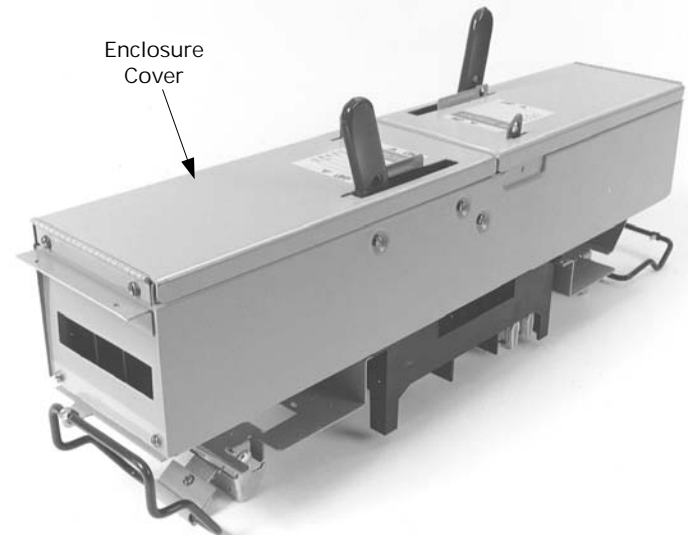


Figure 7. Installing the cover on the enclosure.



Figure 5. Installing the expansion kit.

For Two-Pole Devices on Three-Phase Systems Only

To balance the panelboard load, remove the screws on the appropriate bus clip, reposition the bus clip as shown in Figure 8, then reinstall and tighten the screws to 27–32 in-lb.

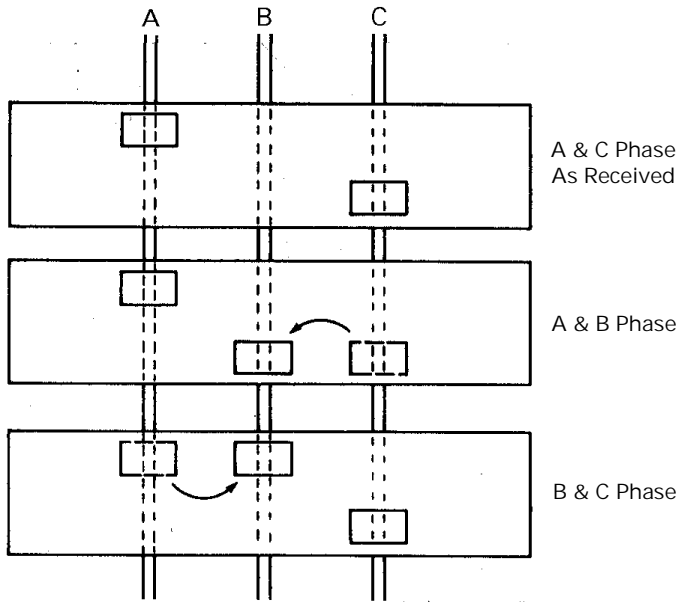


Figure 8. Repositioning the bus clip to balance the load.

These instructions do not cover all details or variations in equipment nor do they provide for every possible contingency that may be met in connection with installation, operation, or maintenance. Should further information be desired or should particular problems arise that are not covered sufficiently for the purchaser's purposes, the matter should be referred to the GE Company.

g

GE Industrial Systems