



Spectra Series™ Power Panelboards

Filler Plate Kit AFP6SKS



WARNING: Danger of electrical shock or injury. Turn OFF power ahead of the panelboard or switchboard before working inside the equipment or removing any component. Do not remove circuit protective devices or any other component until the power is turned OFF.

2. **Install end filler plates.** For type TKM, THKM, TK4V, TKL4, SKHA, SKLA, and SKPA circuit breakers, place the lug covers, as listed in Table 1, on the line and load ends of the circuit breaker, as shown in Figure 1. Attach the end filler plates, as listed in Table 2, to each side of the circuit breaker with the #10-32 x 9/16" screws provided. Tighten the screws to 15 in-lb.

General

These instructions apply to the following catalog numbers:

- Filler plate kit AFP6SKS
- Circuit breaker types TKM, THKM, TK4V, TKL4V, SKHA, SKLA, and SKPA

Breaker Type	Lug Cover
TKM, THKM	455C592P1, furnished with kit
TK4V, TKL4V	455C592P2, furnished with kit
SKHA, SKLA	Use covers furnished with breaker
SKPA*	Use covers furnished with breaker

* SKPA is available in 44"-wide panelboard or 45"-wide switchboard construction only.

Table 1. Lug covers used with each breaker type.

Installation

1. **Install circuit breaker.** Install the circuit breaker according to instruction sheet GEH-5623 for plug-in construction or DEH-061 for bolt-on construction.

Filler Plate	Switchboard or Panelboard
252B1768G2	40"-wide panelboard or switchboard
252B1768G1	44"-wide panelboard
252B1768G1	45"-wide switchboard

Table 2. End filler plates used with each panelboard or switchboard.

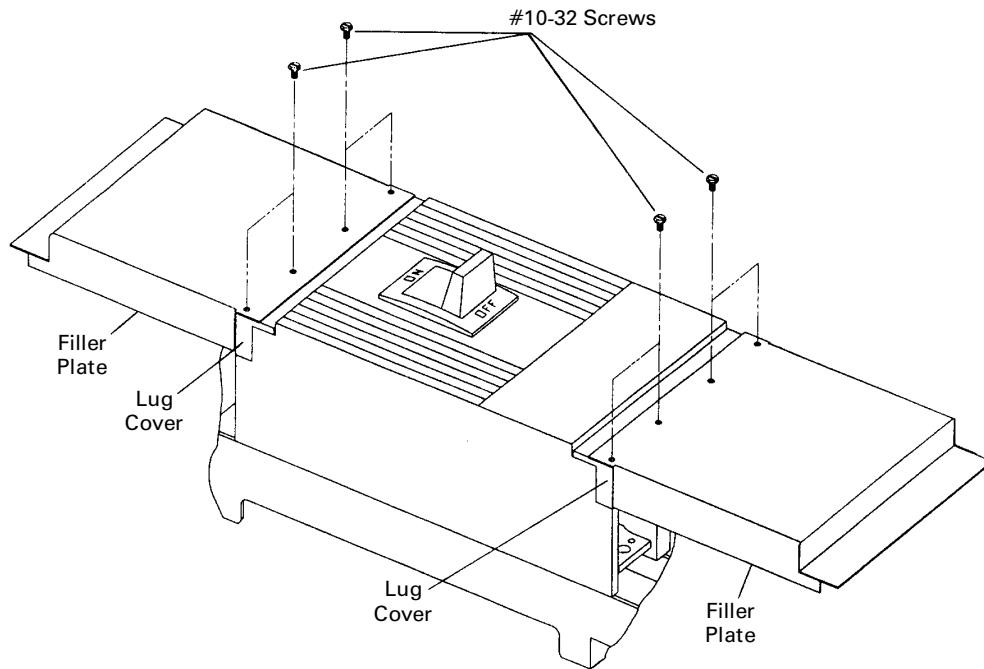


Figure 1. Installation of lug covers and filler plates.

These instructions do not cover all details or variations in equipment nor do they provide for every possible contingency that may be met in connection with installation, operation, or maintenance. Should further information be desired or should particular problems arise that are not covered sufficiently for the purchaser's purposes, the matter should be referred to the GE Company.



GE Industrial Systems