



## Spectra Series™ Power Panelboards

### Box Extensions



**WARNING:** Danger of electrical shock or injury. Turn OFF power ahead of the panelboard or switchboard before working inside the equipment or removing any component. Equipment is to be installed and maintained by properly trained and qualified personnel only.

#### Installation

Use the following procedure to install the box extension.

1. Remove all endwall screws from the end of the box where the box extension is to be mounted, as shown in Figure 1.
2. Remove the box extension cover.
3. Slide the extension collar over the trough and align the holes in the collar, trough, and endwall, as shown in Figure 2.
4. Reinstall the endwall screws on the sides and bottom.

**NOTE:** If the endwall is removed from the box and not used, use the hex nuts supplied with the endwall screws to mount and secure the box extension. Fasten the hex nuts to the screws on the inside of the box.

5. Replace the box extension cover.

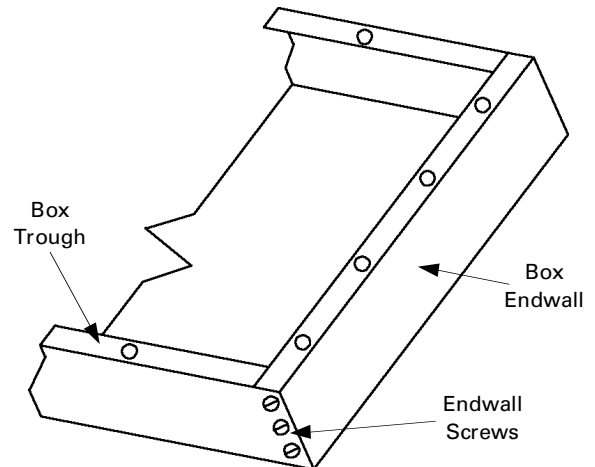


Figure 1. Box end where the extension is to be installed.

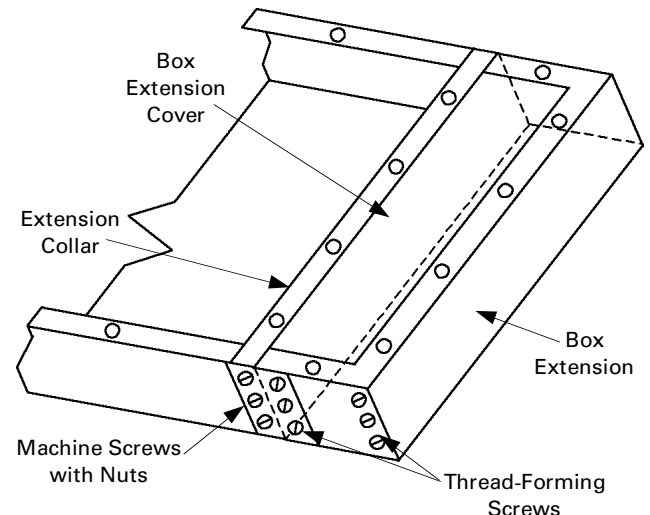


Figure 2. Box extension attached to the panel.

These instructions do not cover all details or variations in equipment nor do they provide for every possible contingency that may be met in connection with installation, operation, or maintenance. Should further information be desired or should particular problems arise that are not covered sufficiently for the purchaser's purposes, the matter should be referred to the GE Company.



**GE Industrial Systems**

General Electric Company  
41 Woodford Ave., Plainville, CT 06062