

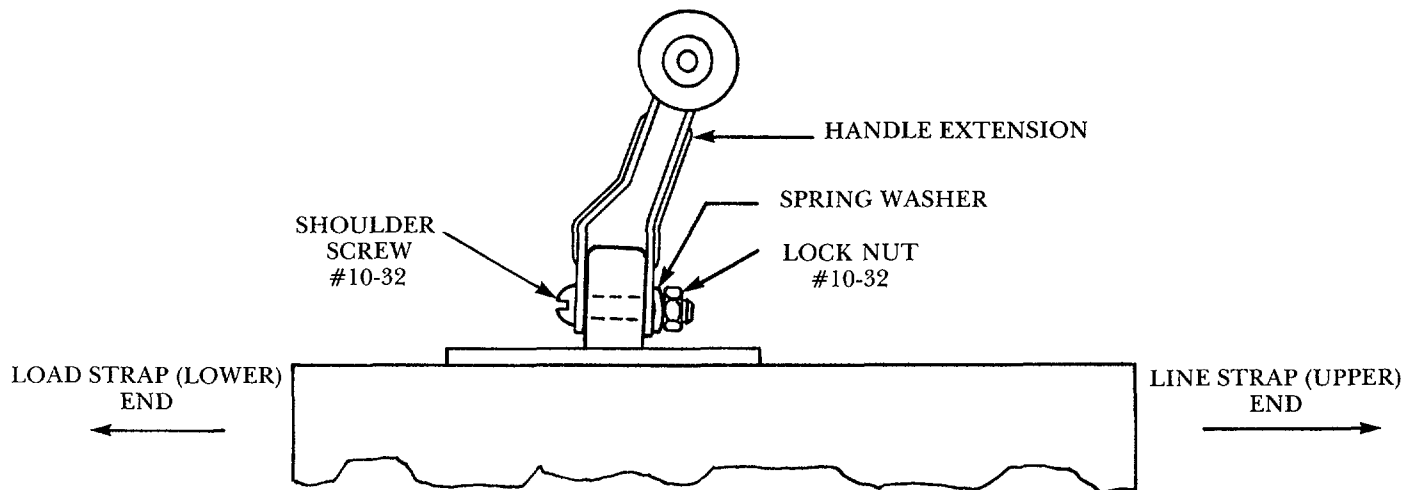


# Spectra RMS™ SK Frame Molded Case Circuit Breakers

## Replacement Handle Extension, Cat. No. SKHDLEXT

### GENERAL

Assemble Handle Extension with circuit breaker in Tripped or OFF position in direction shown.



**NOTE:** LOCK NUT SHOULD SEAT AGAINST SHOULDER OF SCREW.

These instructions do not purport to cover all details or variations in equipment nor to provide for every possible contingency to be met in connection with installation operation or maintenance. Should further information be desired or should particular problems arise which are not covered sufficiently for the purchaser's purposes, the matter should be referred to the GE Company.



**GE Electrical Distribution & Control**

General Electric Company  
41 Woodford Ave., Plainville, CT 06062