



TM
Spectra RMS
Molded Case Circuit Breakers

Mounting of Type TDM Handle Operating Mechanism For SG600 Circuit Breakers

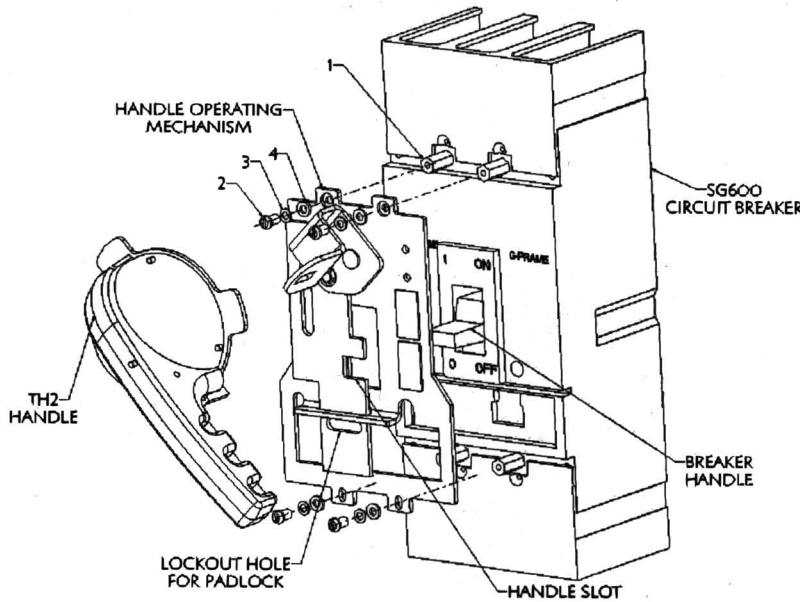


Figure 1.

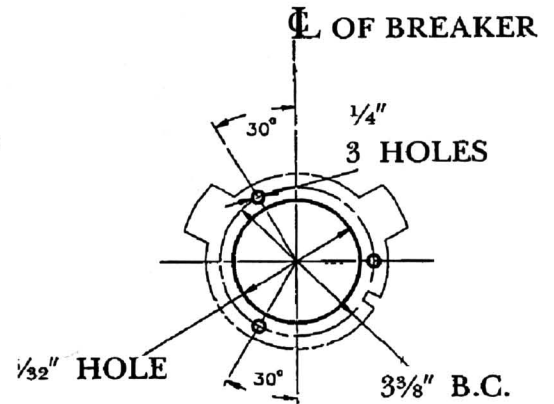


Figure 2.

KIT CONTENTS

The kit contains an operating mechanism and all hardware required for mounting it. Refer to the specific parts list found inside the hardware kit bag for a detailed listing of parts.

MOUNTING INSTRUCTIONS

Refer to Figure 1.

1. Mount circuit breaker to panel using four special mounting bolts (1), thread size is #10-32.
2. Align handle slot of handle operating mechanism with breaker handle.
3. Secure mechanism to breaker using four #10-32 screws (2), lockwashers (3), and flatwashers (4).
4. Cut shaft, if required (SGOM2 only) per figures 3 and 4. Insert shaft into mechanism collar and torque 1/4-20 Allen locking set screw to 40-50 lb.-in. using 1/8" Allen key wrench.
5. For 15" long shaft order Cat. No. 788A832G2
6. For 20" long shaft order Cat. No. 788A832G5
7. Optional NFPA79 compliant inner handle - Order TH79G. Requires minimum Shaft length (L) of 3.50".

COVER DRILLING

For handle Cat. No. TH2. See figure 2.

Pendulum motion. For up-down motion, rotate drilling 90 deg. clockwise.

BOX DEPTH DIMENSIONS

From back of breaker to inside of cover.

Cat. No.		A		
SGOM1	w/out Hdl.	5 7/8"	Fixed Depth	Fig. 1
SGHM1	with Hdl.			
SGOM2	w/out Hdl.	15 3/4"	Extended Shaft	Fig. 3
SGHM2	with Hdl.			

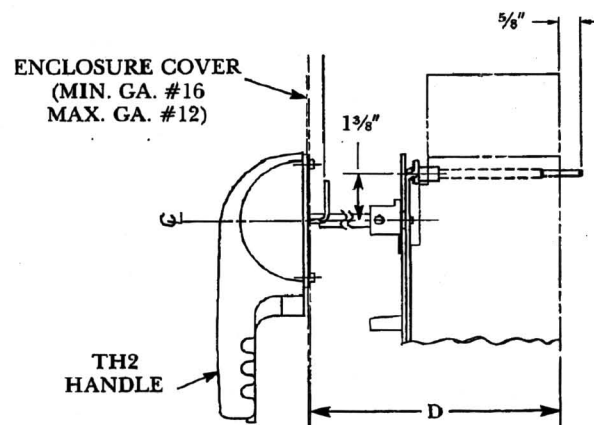


Figure 3.

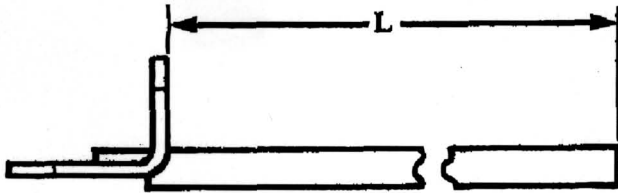


Figure 4.

REQUIRED SHAFT LENGTH

$$L = D - 5\frac{7}{8} \text{ IN. } \pm \frac{1}{16} \text{ IN.}$$

L = LENGTH OF SHAFT

D = DEPTH OF ENCLOSURE

These Instructions do not purport to cover all details or variations in equipment nor to provide for every possible contingency to be met in connection with installation operation or maintenance. Should further information be desired or should particular problems arise which are not covered sufficiently for the purchaser's purposes, the matter should be referred to the GE Company.



GE Consumer & Industrial

GEH5653
Rev.04 0404PSA

General Electric Company
41, Woodford Ave., Plainville, CT 06062
©2004 General Electric Company