



GE Sealable Trip Unit Cover

For MicroVersaTrip[®] Plus or MicroVersaTrip[®] PM Trip Units

WARNING: Danger of electrical shock or injury. Turn OFF power ahead of the device before installation or modification. Do not remove circuit protective devices until the power is turned OFF.

IMPORTANT: Danger d'électrocution. Couper l'alimentation avant d'installer ou de modifier le raccordement. Ne pas retirer l'appareil de protection avant que l'alimentation soit coupée.

GENERAL

These instructions explain the installation of a sealable, clear plastic cover for Spectra RMS[™] SG and SK frame and for MicroVersaTrip[®] Plus or MicroVersaTrip[®] PM trip unit on SG and SK frames.

Sealing the cover in accordance with the National Electrical Code, paragraph 240-6 exception, and paragraph 240-82 allows an ampere rating equal to the adjusted long time pickup setting (current setting) and therefore permits conductors to be sized to the **setting**. The cover also prevents removal and changing of the rating plug.

Three covers are available (See figure 2):

- SPCOV1 is the standard cover supplied on SG and SK frame with MicroVersaTrip[®] Plus and MicroVersaTrip[®] PM trip units. Three holes permit access to the FUNCTION, SELECT and VALUE keys for **viewing** selected functions and settings. The enter key is not accessible and therefore settings cannot be changed without breaking the seal and removing the cover.

A hole over the rating plug test jack is also provided for portable 24 Vdc control power for viewing the trip targets on a tripped breaker. See figure 1.

- SPCOV2 is an optional cover for Spectra RMS[™] SG and SK frame breakers. A single hole permits access to the instantaneous adjustment.
- SPCOV3 is an optional cover for use on both Spectra RMS[™] SG and SK frames and on SG and SK frames with MicroVersaTrip[®] Plus or MicroVersaTrip[®] PM trip units. It has no holes and must be removed to access keypad for viewing settings, changing settings and to bring in 24 Vdc via the rating plug.

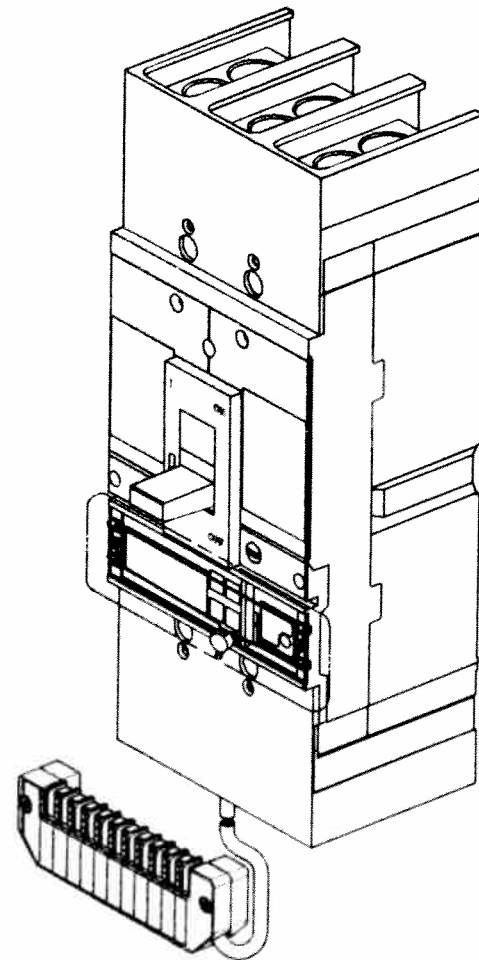


Figure 1.

INSTALLATION

Cat. No. SPCOV1. Factory installed as standard – no installation required. To replace a misplaced cover, remove two knurled inserts from captive flat head Phillips screw and install new cover by threading screws into inserts in breaker. Remove protective film on cover, and seal as shown in figure 3. Use .050 in. (1.25mm) max. diameter, flexible wire and 3/8 in. max. diameter seal (not provided).

Cat. No. SPCOV2. Optional, for field installation on Spectra RMS™ SG and SK frame breakers. Permits access to instantaneous adjustment and seals rating plug. Orient the cover with hole to the left side and positioned over instantaneous adjustment knob. Align knurled inserts over holes in programmer cover and tap in place until fully seated.

Cat. No. SPCOV3. Optional, for field installation on all breakers accepting SPCOV1 or SPCOV2. This trip unit cover has no holes and thereby precludes access to all trip unit adjustments and to rating plug. Install per instructions above.

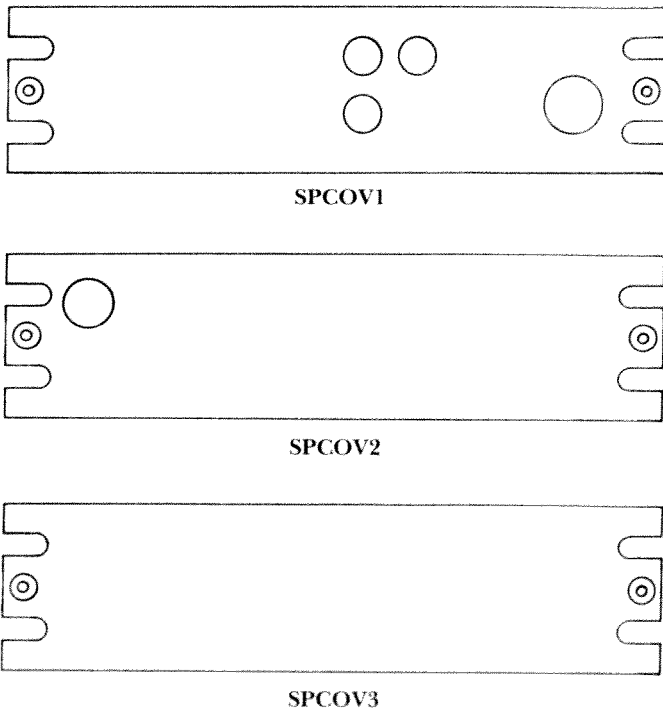


Figure 2.

SEALS AND SEALING WIRE

Seals and sealing wire may typically be purchased separately or with various wire lengths already attached. To seal as shown in figure 3A, or 3B, 14½-15 inch long sealing wire length is required. (Joseph G. Pollard Co. Inc., New Hyde Park, NY is one possible supplier).

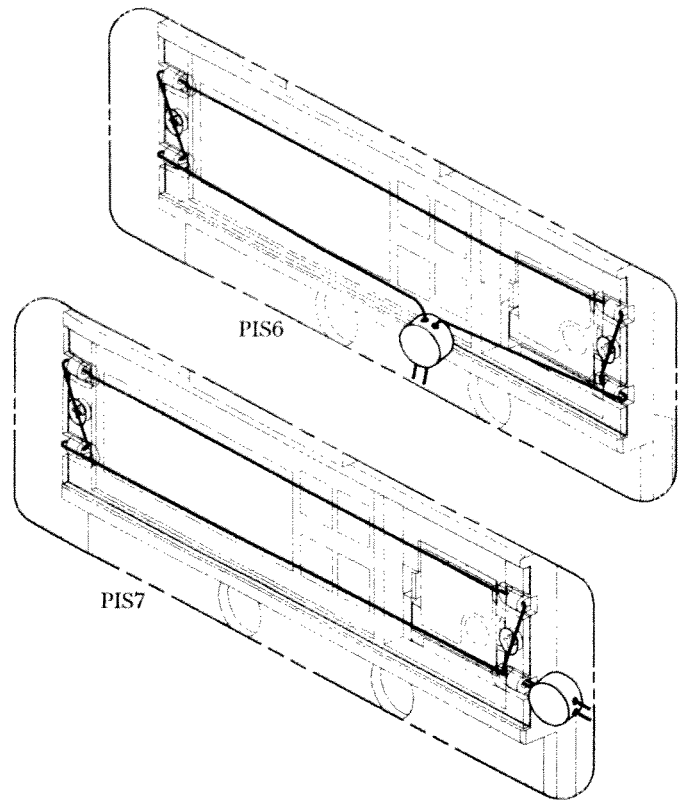


Figure 3.

These instructions do not purport to cover all details or variations in equipment nor to provide for every possible contingency to be met in connection with installation operation or maintenance. Should further information be desired or should particular problems arise which are not covered sufficiently for the purchaser's purposes, the matter should be referred to the GE Company.



GE Electrical Distribution & Control

General Electric Company
41 Woodford Ave. Plainville, CT 06062
© 1997 General Electric Company