



Spectra Series™ Power Panelboards

Circuit Breakers and Modules



WARNING: Danger of electrical shock or injury. Turn OFF power ahead of the panelboard or switchboard before working inside the equipment or removing any component. Do not remove circuit protective devices or any other component until the power is turned OFF.

General

These instructions apply to the following catalog numbers:

- Circuit breaker modules AMC6EY and AMC6QB
- Circuit breaker frames TEY, THQB, and THHQB

Installation

- 1. Prepare the module.** Attach the filler supports to each end of the module using the #10-32 x 3/4" hex-head screws, as shown in Figure 1. Tighten the screws to 15–20 in.-lbs. Loosen the latch-locking screws.
- 2. Install the circuit breaker(s).** Hook the load end of the circuit breaker onto the module and secure with the captive screws on the line end, as shown in Figure 1. Tighten the screws to 25 in.-lbs.
- 3. Install the module.** Fully retract the latches on the end of the module, shown in Figure 1, and hook one side of the module on the interior rail. Release the latch. Pivot the module onto the bussing and engage the second latch. Release the latch. Tighten the latch screws to 25 in.-lbs., as shown in Figure 2.

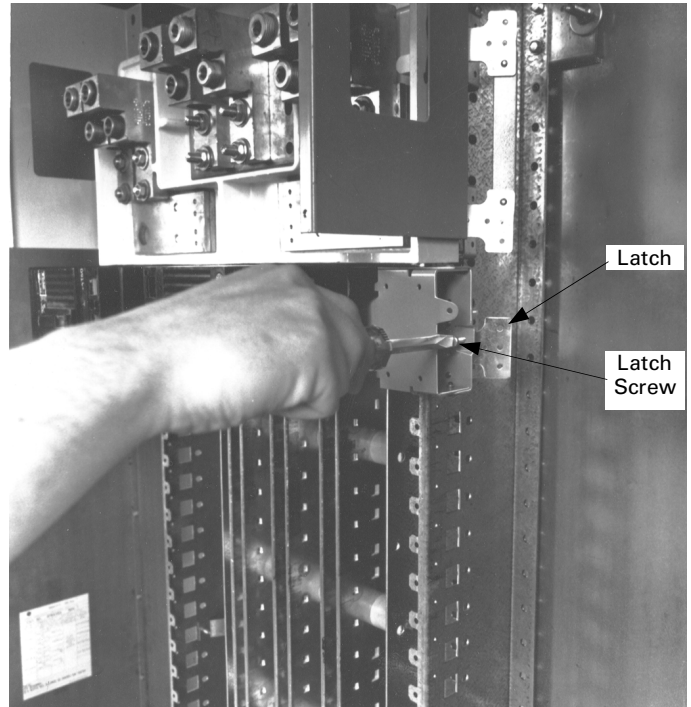


Figure 2. Attaching the circuit breaker module to the panelboard interior.

- 4. Wire the circuits.** Refer to the rating label on the circuit breaker for the proper tightening torques.
- 5. Filler plate kits.** Install the appropriate filler plate kit as listed in Table 1.

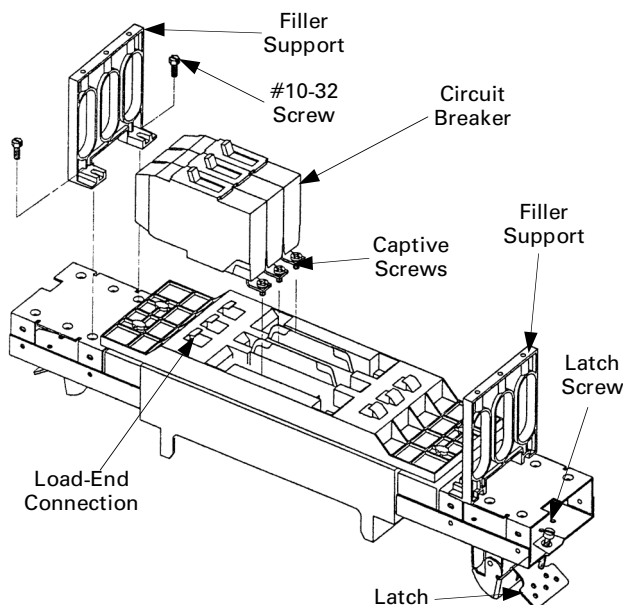


Figure 1. Installing the circuit breaker on the module.

Breaker Module	Filler Plate Kit
AMC6EY	AFP3EYD
AMC6QB	AFP3QBD

Table 1. Filler plate kit for each breaker module type.

Attention – Procedure for Aluminum Terminations

1. Strip the insulation, being careful to not nick the wire.
2. Clean the wire strands with a wire brush.
3. Thoroughly coat the stripped conductor with a suitable antioxidant compound, such as ALNOX or PENETROX A13.
4. Insert the conductor and tighten the connector screw to the torque indicated on the rating label.

These instructions do not cover all details or variations in equipment nor do they provide for every possible contingency that may be met in connection with installation, operation, or maintenance. Should further information be desired or should particular problems arise that are not covered sufficiently for the purchaser's purposes, the matter should be referred to the GE Company.



GE Industrial Systems