



Spectra RMS™ Molded Case Circuit Breakers

Control Wire Terminal Lug for SF-250A

WARNING: Danger of electrical shock or injury. Turn **OFF** power ahead of the device before lug installation or modification. Do not remove circuit protective devices until the power is turned **OFF**.

IMPORTANT: Danger d'electrocution. Couper l'alimentation avant d'installer les bornes ou de modifier le raccordement. Ne pas retirer l'appareil de protection avant que l'alimentation soit coupée.

**LUG CAT. NO.-TCAL29LV WIRE RANGE-
#8AWG-350MCM CU-AL**

GENERAL

Lug catalog number TCAL29LV is suitable for use with Spectra RMS™ Type SF-250A frame size breakers, MagBreak® Motor Circuit Protectors and Molded Case Switches.

INSTALLATION

1. Lug screw must be flush with or below top lug surface.
2. Holding lug as shown in Figure 1, position the lug on terminal strap with the terminal strap sandwiched between the main body of the lug and the control wire tab as shown in Figure 2.
3. Push lug onto terminal strap until it snaps into place.
4. When using aluminum wire, use joint compound recommended by wire manufacturer.
5. Strip $\frac{3}{4}$ - $\frac{7}{8}$ inch insulation from end of wire.
6. Install wire and torque each lug with a $\frac{5}{16}$ inch Allen wrench as shown in table.
7. Prepare control wire by installing receptacle connector onto an appropriate wire as specified by the receptacle connector manufacturer. **USE ONLY 250 SERIES FULLY INSULATED U/L LISTED RECEPTACLE CONNECTORS.** 90° flag style receptacle connectors are recommended.
8. Align receptacle connector over control wire tab and push firmly into place.

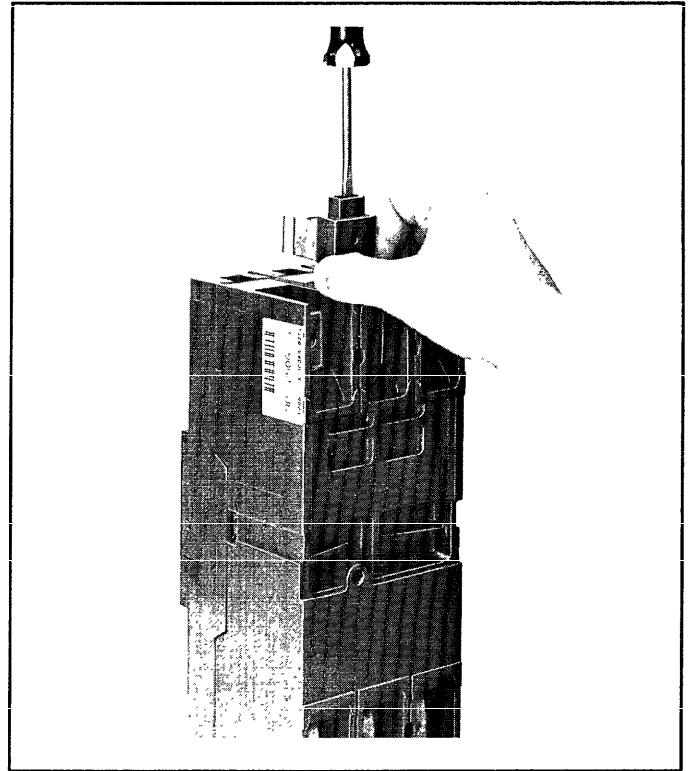


Figure 1. Installing control wire terminal lug.

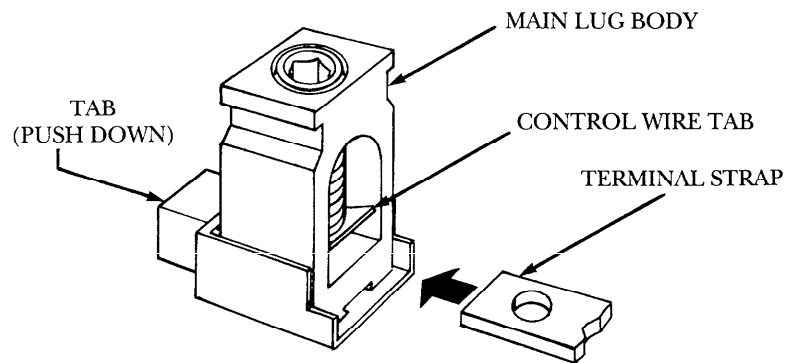


Figure 2. Terminal strap between control wire tab and main lug body.

TABLE 1. WIRE RANGE AND TORQUE REQUIREMENTS

| Wire Range (AWG/kcmil) | Torque (lb.-in.) |
|------------------------|------------------|
| 350-1/0 | 275 |
| 1-3 | 200 |
| 4-8 | 150 |

These instructions do not purport to cover all details or variations in equipment nor to provide for every possible contingency to be met in connection with installation operation or maintenance. Should further information be desired or should particular problems arise which are not covered sufficiently for the purchaser's purposes, the matter should be referred to the GE Company.



GE Electrical Distribution & Control