



Spectra Series™ Power Panelboards

Endwall Kit



WARNING: Danger of electrical shock or injury. Turn OFF power ahead of the panelboard or switchboard before working inside the equipment or removing any component. Do not remove circuit protective devices or any other component until the power is turned OFF.

General

Table 1 is the list of parts supplied with this kit. Numbers in brackets in the text and figures refer to the item number in this table.

Item	Description	Qty.
1	Endwall	2
2	Nonmetallic plate	1
3	Aluminum plate	1
4	1/4-20 x 1/2" screws	12

Table 1. Parts included in the endwall kit.

Installation

Use the following procedure to install the endwall kit.

1. Cut holes into the nonmetallic plate [2] and the aluminum plate [3] as required for wiring and as shown in Figure 1.
2. Attach the nonmetallic plate [2] and the aluminum plate [3] to the endwalls [1] with 1/4-20 x 1/2" screws [4], as shown in Figure 1.
3. Remove the existing endwalls from the panelboard box, as shown in Figure 2. *Do not* discard the screws.
4. Attach the new endwalls to the panelboard box, as shown in Figure 3, with the screws removed in step 3.

These instructions do not cover all details or variations in equipment nor do they provide for every possible contingency that may be met in connection with installation, operation, or maintenance. Should further information be desired or should particular problems arise that are not covered sufficiently for the purchaser's purposes, the matter should be referred to the GE Company.

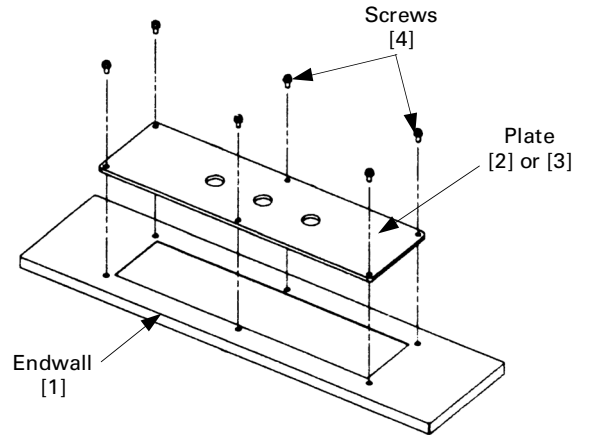


Figure 1. Attaching the nonmetallic plate or the aluminum plate to an endwall.

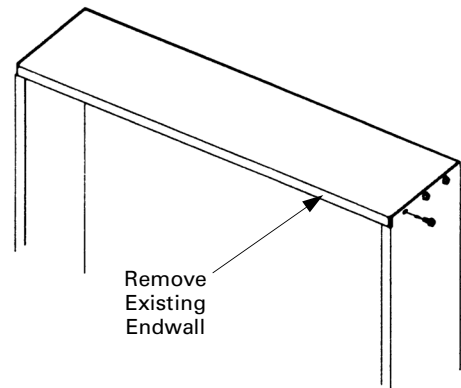


Figure 2. Removing the existing endwall from the panelboard box.

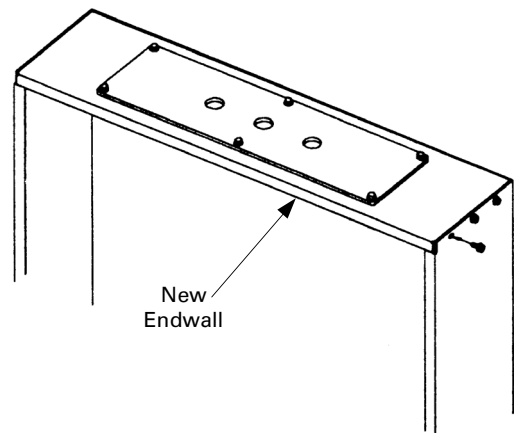


Figure 3. Attaching the new endwalls to the panelboard box.



GE Industrial Systems

General Electric Company
41 Woodford Ave., Plainville, CT 06062