



## Spectra Series™ Power Panelboards

### Drip-Resistant Cover



**WARNING:** Danger of electrical shock or injury. Turn OFF power ahead of the panelboard or switchboard before working inside the equipment or removing any component. Do not remove circuit protective devices or any other component until the power is turned OFF.

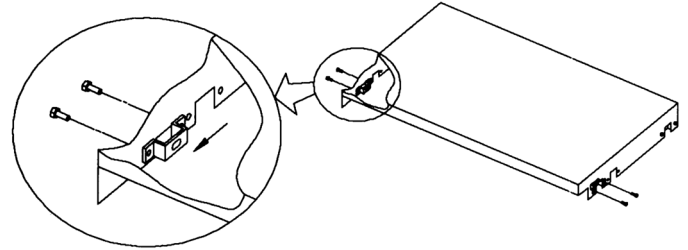


Figure 1. Relocating the mounting brackets on 16.25-inch-deep panelboards.

### Installation

1. If the drip-resistant cover is to be installed in a 16.25-inch-deep Spectra Power Panelboard enclosure, two cover-mounting brackets must be relocated, as shown in Figure 1. For all other applications, do not move the mounting brackets.
2. Remove four #10-32 screws from the enclosure top to match the locations of the mounting brackets on the drip-resistant cover. Save these screws, as they will be used to install the drip-resistant cover on the enclosure.
3. Attach the drip-resistant cover to the enclosure, as illustrated in Figure 2, using the screws removed in step 2. It may be necessary to loosen the screws in the mounting brackets to adjust their positions to proper alignment with the holes in the enclosure. Tighten all screws.

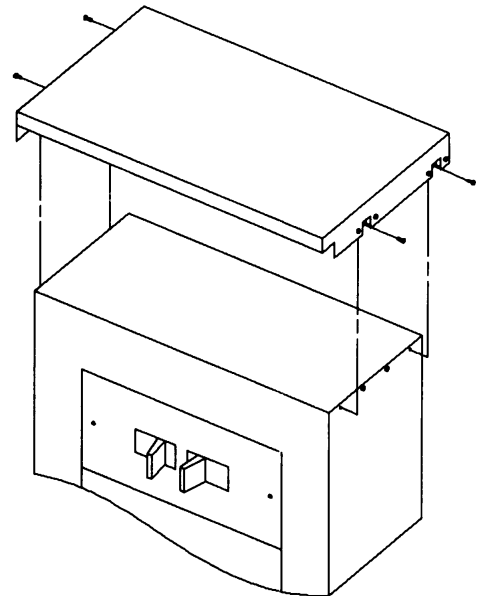


Figure 2. Attaching the drip-resistant cover.

These instructions do not cover all details or variations in equipment nor do they provide for every possible contingency that may be met in connection with installation, operation, or maintenance. Should further information be desired or should particular problems arise that are not covered sufficiently for the purchaser's purposes, the matter should be referred to the GE Company.



**GE Industrial Systems**

General Electric Company  
41 Woodford Ave., Plainville, CT 06062