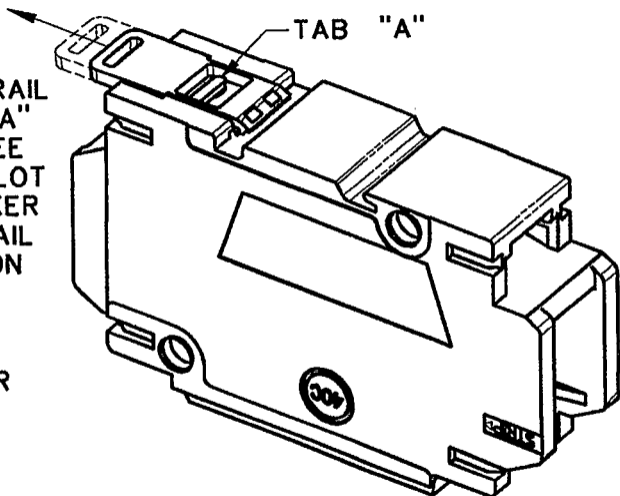


TO REMOVE DIN RAIL  
LOCK LIFT TAB "A"  
UNTIL TAB IS FREE  
FROM LOCKING SLOT  
IN CIRCUIT BREAKER  
AND SLIDE DIN RAIL  
LOCK IN DIRECTION  
SHOWN

DIN RAIL LOCK  
CATALOG NUMBER  
THQCDIN

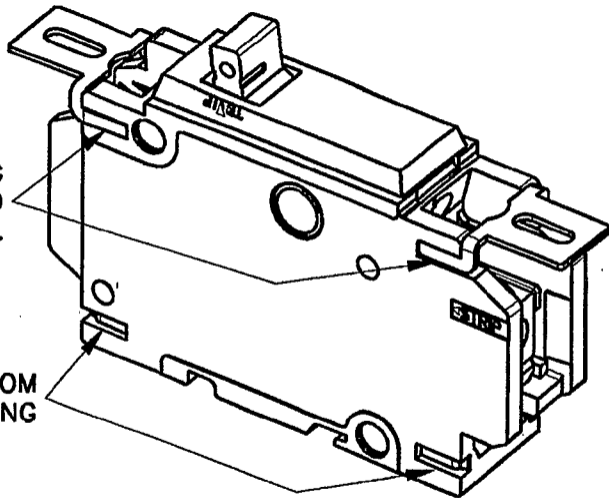
GEH6249



MOUNTING KIT  
CATALOG NUMBER  
THQCFMK

SLIDE MOUNTING  
PLATES INTO  
SLOTS AS SHOWN.

OPTIONAL BOTTOM  
MOUNTING



GEH6249

©