



Spectra Series™ Power Panelboards

NEMA 3R and NEMA 12 Enclosures

This publication describes the installation of type APBR (NEMA 3R) and type APBD (NEMA 12) enclosures. Table 1 lists the enclosure sizes available. Table 2 lists the catalog numbers of the hubs available for various conduit sizes. Figures 1 and 2 illustrate side and back views of the enclosures, with dimensions indicated.

Enclosure Exterior Size, in.	Dimension A, in.	Dimension B, in.	Dimension C, in.
27.19 W x 64.82 H	69.98	22.44	16.38
27.19 W x 75.70 H	80.88	22.44	16.38
27.19 W x 89.45 H	94.61	22.44	16.38
31.19 W x 64.82 H	69.98	22.44	16.38
31.19 W x 75.70 H	80.88	22.44	16.38
31.19 W x 89.45 H	94.61	22.44	16.38
36.19 W x 64.82 H	69.98	21.44	18.38
36.19 W x 75.70 H	80.88	21.44	18.38
36.19 W x 89.45 H	94.61	21.44	18.38
40.19 W x 64.82 H	69.98	22.44	16.38
40.19 W x 75.70 H	80.88	22.44	16.38
44.19 W x 64.82 H	69.98	22.44	18.38
44.19 W x 75.70 H	80.88	22.44	18.38

Table 1. NEMA 3R and 12 enclosure sizes available.

Conduit Dia., in.	Catalog Number	
	Zinc Hub	Chrome-Plated Zinc Hub
1/2	343L647G3	343L647G17
3/4	343L647G4	343L647G18
1	343L647G5	343L647G19
1 1/2	343L647G6	343L647G20
1 3/4	343L647G7	343L647G21
2	343L647G8	343L647G22
2 1/2	343L647G9	343L647G23
3	343L647G10	343L647G24
3 1/2	343L647G11	343L647G25
4	343L647G12	343L647G26

Table 2. Catalog numbers of available hubs for various conduit sizes.

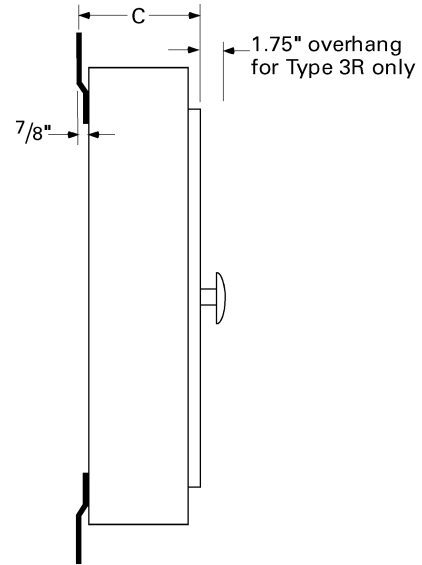


Figure 1. Side view of enclosure.

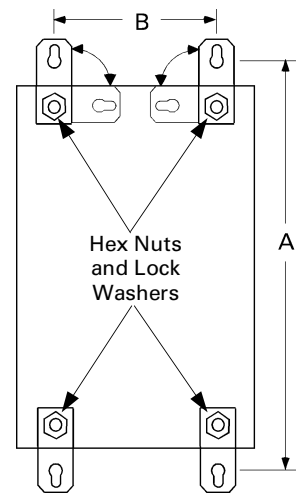


Figure 2. Rear view of enclosure.

Installation



WARNING: Danger of electrical shock or injury. Turn OFF power ahead of the panelboard or switchboard before working inside the equipment or removing any component. Equipment is to be installed and maintained by properly trained and qualified personnel only.

1. Remove two hanger brackets along with two $1/2$ -13 hex nuts and lock washers from the lower mounting studs and remove the shipping support. Reinstall the hanger brackets with the lock washers and nuts as shown in Figure 2. Loosen the upper hanger mounting nuts and rotate the brackets to the vertical position, as shown in Figures 1 and 2. Tighten the four $1/2$ -13 hanger nuts to 45 ft-lbs. Mount the enclosure in the designated area.
2. Remove the four $3/8$ -16 wing nuts and flat washers located inside the enclosure and install the interior onto the four studs. Replace the flat washers and wing nuts (tighten securely).
3. Wire the interior per the customer specifications.

These instructions do not cover all details or variations in equipment nor do they provide for every possible contingency that may be met in connection with installation, operation, or maintenance. Should further information be desired or should particular problems arise that are not covered sufficiently for the purchaser's purposes, the matter should be referred to the GE Company.



GE Industrial Systems