



## Spectra Series™ Power Panelboards

### Type ANKT (200% Rated) Neutrals



**WARNING:** Danger of electrical shock or injury. Turn OFF power ahead of the panelboard or switchboard before working inside the equipment or removing any component. Equipment is to be installed and maintained by properly trained and qualified personnel only.

### Installation

1. Mount the neutral in the end of the panelboard enclosure marked Incoming Line, onto the 1/4-20 mounting studs, as shown in Figure 1. Fasten with the 1/4-20 nuts, flat washers, and lock washers provided, as shown in Figure 2. Tighten to 27–32 in-lbs.
2. Fasten the opposite end of the neutral to the enclosure with the #10-32 x 3/8" self-tapping screws provided, as shown in Figure 1. Be sure to use all the mounting holes. Tighten the screws to 27–32 in-lbs.
3. When a bonding strap is required for service entrance applications, install the bonding strap to the underside of the bus with the 1/4-20 bolt, nut, lock washer, and flat washers supplied, as shown in Figure 3. Use a 1 1/4" bolt for up to 600 A applications or a 1 5/8" bolt for 800 A and 1200 A applications. Tighten the bolt to 40–50 in-lbs. Secure the opposite end of the bonding strap to the neutral mounting base and box back with the #10-32 self-tapping screw and lock washer supplied, tightened to 27–32 in-lbs.

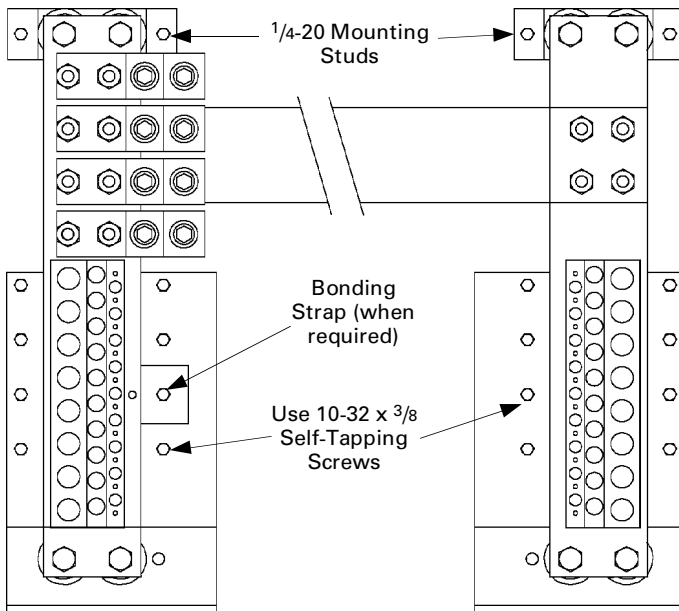


Figure 1. Installing the neutral in the enclosure.

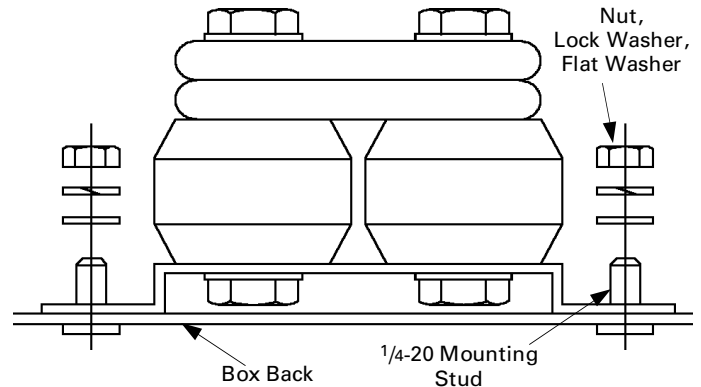


Figure 2. Securing the neutral to the mounting studs.

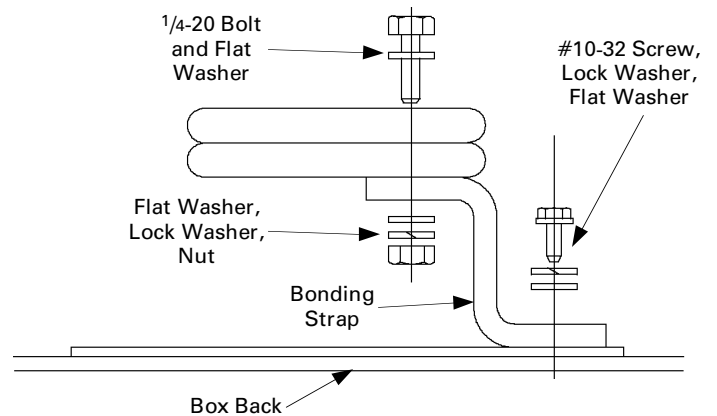


Figure 3. Attaching a bonding strap.

These instructions do not cover all details or variations in equipment nor do they provide for every possible contingency that may be met in connection with installation, operation, or maintenance. Should further information be desired or should particular problems arise that are not covered sufficiently for the purchaser's purposes, the matter should be referred to the GE Company.



**GE Industrial Systems**