



GEH3475

Neutral Kit

TNIA64



Hazards of electrical shock or burn! Turn off power before working inside this equipment.

Use with:

200A 600Vac NEMA 1, 3R Safety Switches

Description:

This is an insulated ground able neutral rated for 200A. Each kit contains the following parts (see Figures 1 and 2):

- Neutral block and mounting hardware
- Neutral/Ground lug
- Bonding screw

Wire Range

Neutral / Ground Lug	
Large hole	#1 – 300 MCM Cu/Al
Small hole	#10 – 2/0 Cu/Al

Installation

Step 1. Refer to switch rating label for proper mounting location of neutral kit.

Step 2. Mount neutral block to enclosure as shown in Figure 2. Torque fasteners to 20-24 in-lbs.

Step 3. Install bonding screw as shown in Figure 1 (if required). Torque fastener to 17-20 in-lbs.

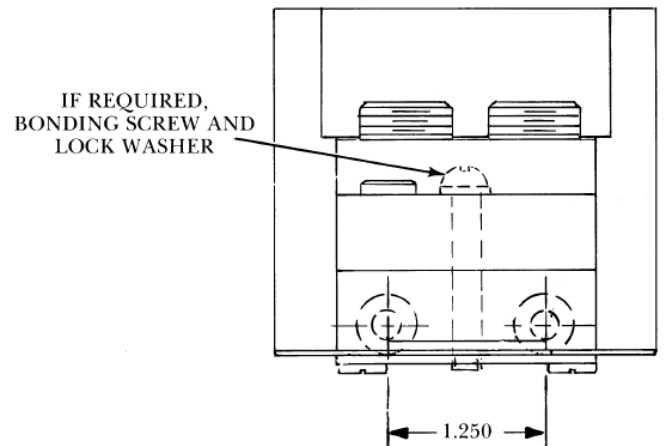


Figure 1 - Neutral

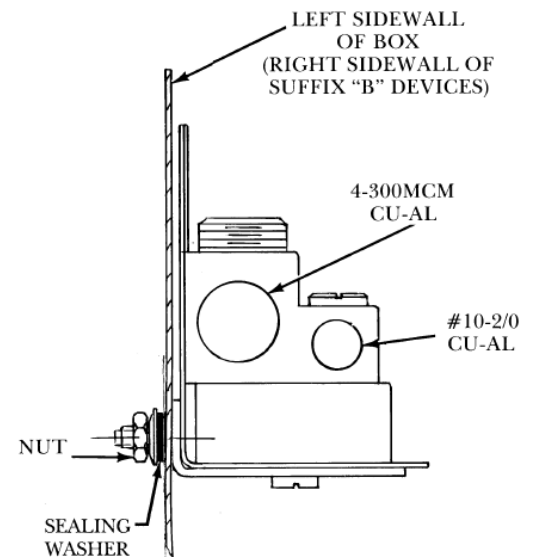


Figure 2 – Typical Installation of TNIA64C Neutral Kit