

Cat. Nos. TDS1, TDS2



Extended Drive Stud

For Use with Type TDOM Variable Depth Operating Mechanisms

GENERAL

This optional drive stud permits the Type TDOM variable depth operating mechanisms to be located $1 \frac{5}{16}$ inches further to the left (when flange handle is on right) or to the right (when handle is on left) to accommodate specific enclosure restrictions.

The optional stud can be easily substituted for the shorter stud provided with the TDOM operating mechanisms.

Cat. No. TDS1 is used with Cat. Nos. TDOM1A through TDOM3 operating mechanisms. The thicker steel yoke used on Cat. Nos. TDOM6 and TDOM7 requires extended drive stud Cat. No. TDS2 which has a longer shoulder height.

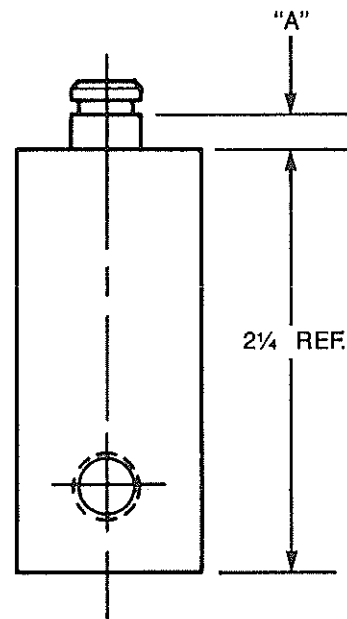
TDS1 and TDS2 look identical. Refer to "A" dimension in Figure 1 to verify correct stud is being used.

The extended drive stud is not recommended for use with variable depth operating mechanisms Cat. Nos. TDOM4 and TDOM5 due to the possibility of marginal travel of the yoke and circuit breaker toggle handle.

If attempting to use extended drive stud TDS2 on TDOM4 or TDOM5, extra care in setup must be taken to insure satisfactory operation of the circuit breaker.

INSTALLATION

1. Refer to instructions provided with TDOM operating mechanism. Remove drive stud (3) by unsnapping E-ring (2).
2. Insert extended drive stud into same hole and snap E-ring in place.
3. Refer again to operating mechanism instructions to complete the installation.



CAT. NO.	"A"
TDS1	0.130
TDS2	0.161

Figure 1

© 1986 GENERAL ELECTRIC COMPANY

These instructions do not purport to cover all details or variations in equipment nor to provide for every possible contingency to be met in connection with installation operation or maintenance. Should further information be desired or should particular problems arise which are not covered sufficiently for the purchaser's purposes, the matter should be referred to the General Electric Company.

For further information
call or write your local
General Electric
Sales Office or . . .

General Electric
Company
41 Woodford Avenue
Plainville, CT 06062 U.S.A.

Outside the U.S. write Construction Equipment Export Operation,
411 Theodore Fremd Ave., Rye, N.Y. 10580 U.S.A.
GEH-5325 0486 PSA

GENERAL  ELECTRIC