



ASTAT XB

USER MANUAL

1 Caution Statements

Caution Statements cannot cover every potential cause of equipment damage but can highlight common causes of damage. It is the installer's responsibility to read and understand all instructions in this manual prior to installing, operating or maintaining the equipment, to follow good electrical practice including applying appropriate personal protective equipment and to seek advice before operating this equipment in a manner other than as described in this manual.

- Isolate the ASTAT XB completely from the power supply before attempting any work on the ASTAT XB or motor.
- Cables to the control inputs must be segregated from mains voltage and motor cabling.
- Some electronic contactor coils are not suitable for direct switching with PCB mount relays. Consult the contactor manufacturer/supplier to confirm suitability.
- Do not apply incorrect voltages to the control input terminals.
- Do not connect power factor correction capacitors to the output of ASTAT XB soft starters. If static power factor correction is employed, it must be connected to the supply side of the soft starter.

The examples and diagrams in this manual are included solely for illustrative purposes. The information contained in this manual is subject to change at any time and without prior notice. In no event will responsibility or liability be accepted for direct, indirect or consequential damages resulting from the use or application of this equipment.

**WARNING - ELECTRICAL SHOCK HAZARD**

The ASTAT XB contains dangerous voltages when connected to mains voltage. Only a qualified electrician should carry out the electrical installation. Improper installation of the motor or the ASTAT XB may cause equipment failure, serious injury or death. Follow this manual and local electrical safety codes.

**AVERTISSEMENT - DANGER D'ELECTROCUTION**

L'ASTAT XB contient des tensions dangereuses lorsqu'il est raccordé à l'alimentation secteur. Seul un électricien compétent peut effectuer l'installation électrique. Une mauvaise installation du moteur ou de l'ASTAT XB peut déclencher une panne d'équipement, provoquer de graves blessures ou même la mort. Suivre les instructions de ce manuel et des codes locaux concernant la sécurité électrique.

**GROUNDING AND BRANCH CIRCUIT PROTECTION**

It is the responsibility of the user or person installing the ASTAT XB to provide proper grounding and branch circuit protection according to local electrical safety codes.

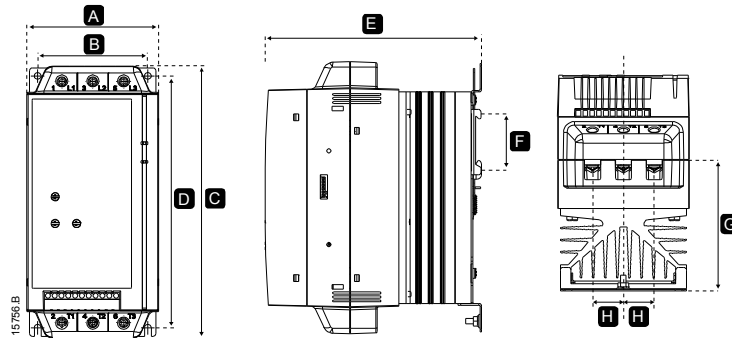
**SHORT CIRCUIT**

The ASTAT XB is not short circuit proof. After severe overload or short circuit, the operation of the ASTAT XB should be fully tested by an authorised service agent.



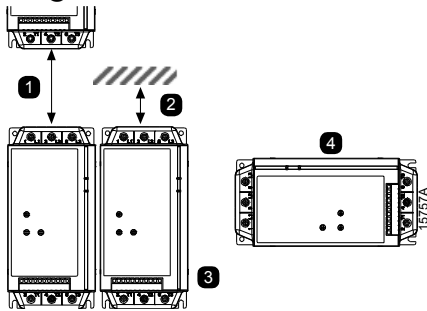
2 Mechanical Installation

2.1 Dimensions and Weights



Model	Width		Height		Depth	mm	mm	mm	Weight
	mm (inch)	mm (inch)	mm (inch)	mm (inch)	mm (inch)	(inch)	(inch)	(inch)	
	A	B	C	D	E	F	G	H	
QSxxB018X									
QSxxB034X									
QSxxB042X	98	82	201	188	165	55	90.5	23	2.1
QSxxB048X	(3.85)	(3.22)	(7.91)	(7.40)	(6.49)	(2.16)	(3.6)	(0.9)	(4.6)
QSxxB060X									
QSxxB075X									
QSxxB085X	145	124	215	196	193	-	110.5	37	3.8
QSxxB100X	(5.70)	(4.88)	(8.46)	(7.71)	(7.59)		(4.4)	(1.5)	(8.4)
QSxxB140X									
QSxxB170X	200	160	240	216	214	-	114.5	51	6.1
QSxxB200X	(7.87)	(6.29)	(9.44)	(8.50)	(8.42)		(4.5)	(2.0)	(13.5)

2.2 Physical Installation



1	QSxx018 ~ QSxx100: Allow 100 mm (3.9 inch) between soft starters. QSxx140 ~ QSxx200: Allow 200 mm (7.9 inch) between soft starters.
2	QSxx018 ~ QSxx100: Allow 50 mm (2.0 inch) between the soft starter and solid surfaces. QSxx140 ~ QSxx200: Allow 200 mm (7.9 inch) between the soft starter and solid surfaces.
3	Soft starters may be mounted side by side with no clearance (that is, if mounted without communications modules).
4	The soft starter may be mounted on its side. Derate the soft starter's

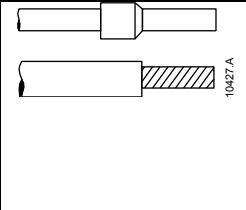
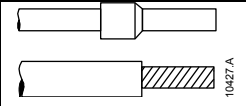
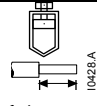
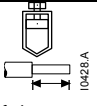
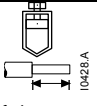
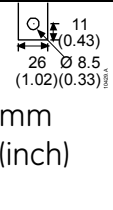
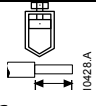
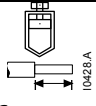
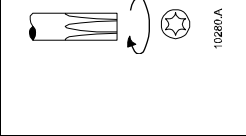
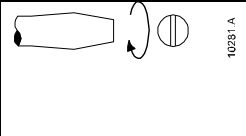


	rated current by 15%.
--	-----------------------



3 Electrical Installation

3.1 Power Terminations

	L1/1, L2/3, L3/5, T1/2, T2/4, T3/6 mm ² (AWG)				A1, A2, A3, 01, 02, 13, 14, 23, 24 mm ² (AWG)			
	018 - 060		075 - 100		140 - 200		018 - 200	
	 10 - 35 (8 - 2)	 14 mm (0.55 inch)	 25 - 50 (4 - 1/10)	 14 mm (0.55 inch)	N.A.	 mm (inch)	 0.14 - 1.5 (26 - 16)	 6 mm (0.24 inch)
	Torx (T20) 3 Nm 2.2 ft-lb		Torx (T20) 4 Nm 2.9 ft-lb		n/a		n/a	
	7 mm 3 Nm 2.2 ft-lb		7 mm 4 Nm 2.9 ft-lb		n/a		3.5 mm 0.5 Nm max 4.4 in-lb max	

3.2 Control Voltages

ASTAT XB soft starters can be supplied in either of two control voltage configurations:

- QSx1xxxxxX 110-240 VAC (+ 10% / - 15%)
..... or 380-440 VAC (+ 10% / - 15%)
- QSx2xxxxxX 24 VAC/VDC (± 20%)



WARNING

Always apply control voltage before (or with) mains voltage.



AVERTISSEMENT

Toujours appliquer la tension de commande avant (ou en même temps que) la tension secteur.

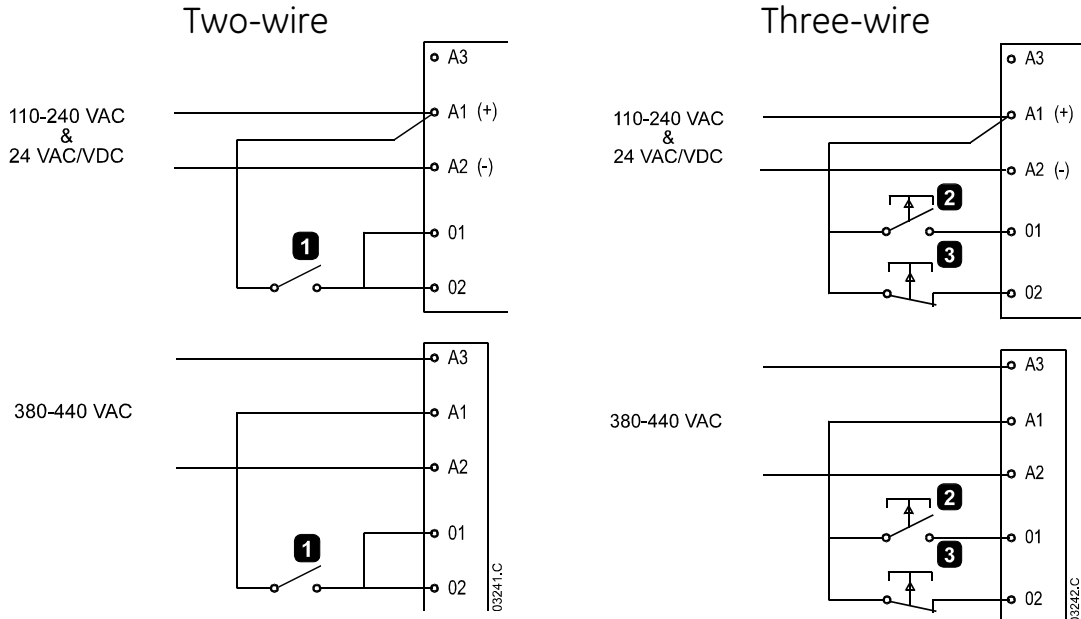


CAUTION

With 24 VAC/VDC use contacts rated for low voltage and low current (gold flash or similar).



3.3 Control Circuits



1	Start/stop. To reset a trip, open then close 02.
2	Start.
3	Stop. To reset a trip, open then close 02.



WARNING

Isolate the ASTAT XB completely from the power supply before attempting any work on the ASTAT XB or motor. Control terminals may be at phase voltage potential.



AVERTISSEMENT

Isoler complètement l'ASTAT XB de l'alimentation secteur avant de tenter toute intervention sur l'ASTAT XB ou sur le moteur. Les bornes de commande peuvent être au potentiel de la tension de phase.



CAUTION

For QSx2xxxxxX (24VAC/VDC control voltage) units you can connect an external 24 VDC supply into the control input terminals 01, 02.



3.4 Outputs

3.4.1 Main Contactor Output

The Main Contactor output (terminals 13, 14) closes as soon as the soft starter receives a start command and remains closed while the soft starter is controlling the motor (until the motor starts a coast to stop, or until the end of a soft stop). The Main Contactor output will also open if the soft starter trips.

The Main Contactor output can be used to directly control a main contactor coil.

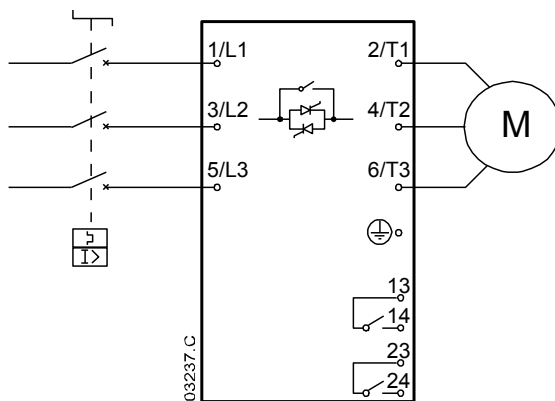
3.4.2 Run Output

The run output relay (terminals 23, 24) can be used to signal run status. This relay is normally open.

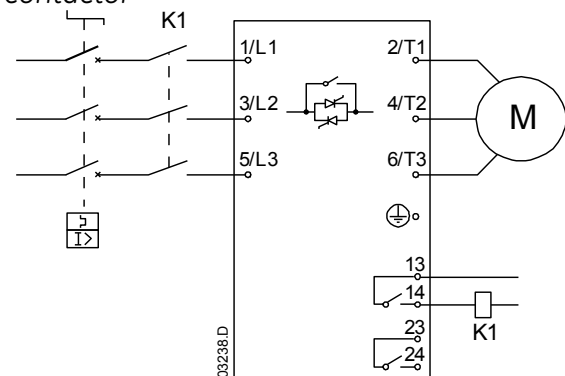
The relay operates when the soft start is complete, the bypass relays are closed and full voltage is being applied to the motor. The relay can be used to operate a contactor for power factor correction capacitors, or to signal soft starter run status to an automation system.

3.5 Electrical Schematics

Soft starter installed with a motor protection circuit breaker



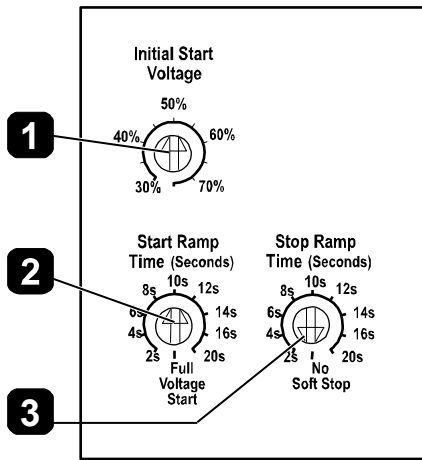
Soft starter installed with a motor protection circuit breaker and main contactor



M	Motor (three phase)
K1	Main contactor
13, 14	Main contactor output
23, 24	Run contactor output




4 Adjustments



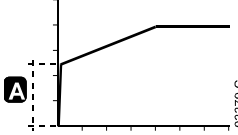
1	Initial Start Voltage
2	Start Ramp Time
3	Stop Ramp Time

1 Initial Start Voltage

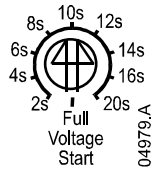


Select the initial start voltage (A).

Application	Initial Start Voltage - Suggested setting
Centrifugal Pump	50%
Submersible Pump	60%
Screw Compressor	70%
Conveyor	
Crusher	
Fan	
Other applications	



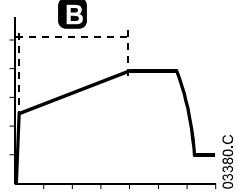
2 Start Ramp Time



Select the start ramp time (B).

The start ramp defines how long the soft starter will take to increase voltage from the initial start voltage to full voltage. The start ramp time does not control the time the motor will take to reach full speed.

1. Set the start ramp time to 20 seconds.
2. Set the initial start voltage as required for the application.
3. Attach a current monitoring device to output T1.





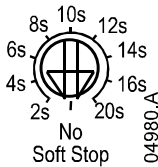
4. Start the motor under normal load conditions. Record the time required for the measured current to fall to (or below) the motor's rated full load current (t_1) then stop the motor.
5. Set start ramp time = t_1 .



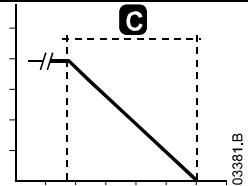
NOTE

The start ramp time must be long enough for the motor to reach full speed before the soft starter enters bypass mode.

3 Stop Ramp Time



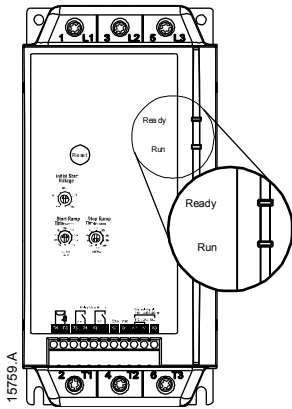
Select the soft stop ramp time (C).
Soft stop extends the time soft starter takes to reduce voltage to zero.
The ramp time does not control the time the motor will take to stop completely.





5 Troubleshooting




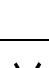
5.1 LEDs



LED Status	Ready	Run
Off	No control power	Motor not running
On	Ready	Motor running at full speed
Flash	Starter tripped	Motor starting or stopping

5.2 Trip Codes

The Ready LED will flash a different number of times to indicate the cause of the trip.

Ready LED	Description
 x 1	Power Circuit: Check mains supply (L1, L2, L3), motor circuit (T1, T2, T3), soft starter SCRs and bypass relays.
 x 6	Supply Frequency: Check mains voltage is available and supply frequency is in range.
 x 8	Network Communication Failure (between module and network): Check network connections, settings and configuration.
 x 9	Starter Communication Failure (between starter and module): Remove and refit accessory module.

5.2.1 Supply Frequency Protection

The soft starter will trip on supply frequency if the frequency rises above 72 Hz or falls below 40 Hz for more than five seconds while the soft starter is running. These trip points are not adjustable.

In pre-start, starting and stopping modes the high and low frequency limits both apply with no time delay.

A supply frequency trip will also occur if:

- all three input phases are lost while the soft starter is running
- all three input phases fall below 120 VAC at start or while the soft starter is running
- the line contactor opens while running



5.3 Reset

Trips can be cleared by pressing the Reset button on the soft starter, sending a Reset command from the serial communications network, or by switching the control inputs.

To clear a trip via the control inputs, the soft starter requires a closed to open transition on the stop input (O2).

- In three-wire control, use the external stop button to momentarily open the stop input (open A1-O2).
- In two-wire control, if the soft starter tripped with a start signal present, remove the start signal (open A1 to O1, O2).

The Reset button is located on the front of the unit, above the adjustment switches.

The soft starter will trip again immediately if the cause of the trip still exists.



6 Accessories

6.1 Finger Guard Kit

Finger guards may be specified for personnel safety. Finger guards fit over the soft starter terminals to prevent accidental contact with live terminals. Finger guards provide IP20 protection when used with cable of diameter 22 mm or greater.

6.2 Remote Operator

The Remote Operator can control and monitor the soft starter's performance. Functionality includes:

- Operational control (Start, Stop, Reset, Quick Stop)
- Starter status monitoring (Ready, Starting, Running, Stopping, Tripped)
- Trip code display

6.3 Communication Modules

ASTAT XB soft starters support network communication via easy-to-install communications modules. Each soft starter can support one communications module at a time.

Available protocols:

Ethernet (Profinet, Modbus TCP, Ethernet IP), Profibus, DeviceNet, Modbus RTU, and USB.

6.4 PC Software

GE ASTAT Setup Tool ed.03 can be used with GE soft starters to provide the following functionality for networks of up to 99 soft starters:

- Operational control (Start, Stop, Reset, Quick Stop)
- Starter status monitoring (Ready, Starting, Running, Stopping, Tripped)

To use GE ASTAT Setup Tool ed.03 with the ASTAT XB, the soft starter must be fitted with a USB Module, Modbus Module or a Remote Operator.



7 Specifications

7.1 Current Ratings

	AC53b 4-6:354 < 1000 metres		AC53b 4-20:340 < 1000 metres	
	40 °C	50 °C	40 °C	50 °C
QSxx018	18 A	17 A	17 A	15 A
QSxx034	34 A	32 A	30 A	28 A
QSxx042	42 A	40 A	36 A	33 A
QSxx048	48 A	44 A	40 A	36 A
QSxx060	60 A	55 A	49 A	45 A
	AC53b 4-6:594 < 1000 metres		AC53b 4-20 580 < 1000 metres	
	40 °C	50 °C	40 °C	50 °C
QSxx075	75 A	68 A	65 A	59 A
QSxx085	85 A	78 A	73 A	67 A
QSxx100	100 A	100 A	96 A	87 A
QSxx140	140 A	133 A	120 A	110 A
QSxx170	170 A	157 A	142 A	130 A
QSxx200	200 A	186 A	165 A	152 A

7.2 Semiconductor Fuses

Semiconductor fuses can be used with ASTAT XB soft starters to reduce the potential for damage to SCRs from transient overload currents and for Type 2 coordination. ASTAT XB soft starters have been tested to achieve Type 2 coordination with semiconductor fuses. Suitable Bussmann and Ferraz/Mersen semiconductor fuses are detailed below.

Model	SCR I ² t (A ² s)	Ferraz/Mersen Fuse European/IEC Style (North American Style)	Bussmann Fuse Square Body (170M)	Bussmann Fuse British Style (BS88)
QSxx018	1150	6.6URD30xxxA0063 (A070URD30xxx0063)	170M-1314	63 FE
QSxx034	8000	6.6URD30xxxA0125 (A070URD30xxx0125)	170M-1317	160 FEE
QSxx042	10500	6.6URD30xxxA0160 (A070URD30xxx0160)	170M-1318	160 FEE
QSxx048	15000	6.6URD30xxxA0160 (A070URD30xxx0160)	170M-1318	180 FM



QSxx060	18000	6.6URD30xxxA0160 (A070URD30xxx0160)	170M-1319	180 FM
QSxx075	51200	6.6URD30xxxA0250 (A070URD30xxx0250)	170M-1321	250 FM
QSxx085	80000	6.6URD30xxxA0315 (A070URD30xxx0315)	170M-1321	250 FM
QSxx100	97000	6.6URD30xxxA0315 (A070URD30xxx0315)	170M-1321	250 FM
QSxx140	168000	6.6URD31xxxA0450 (A070URD31xxx0450)	170M-1322	500 FMM
QSxx170	245000	6.6URD31xxxA0450 (A070URD31xxx0450)	170M-3022	500 FMM
QSxx200	320000	6.6URD31xxxA0450 (A070URD31xxx0450)	170M-3022	500 FMM

xxx = Blade Type. Contact Ferraz/Mersen for options.

7.3 General Technical Data

Mains Supply

Mains voltage (L1, L2, L3)

1	3 x 200 VAC ~ 440 VAC (+ 10% / - 15%)
3	3 x 200 VAC ~ 575 VAC (+ 10% / - 15%)

Mains frequency (at start) 45 Hz to 66 Hz

Rated insulation voltage 600 VAC

Form designation Bypassed semiconductor motor starter form 1

Control Voltage (A1, A2, A3)

QSx1xxxxX 110-240 VAC (+ 10% / - 15%)
 or 380-440 VAC (+ 10% / - 15%)

QSx2xxxxX 24 VAC/VDC (\pm 20%)

Current consumption (during run) < 100 mA

Current consumption (inrush)

QSx1xxxxX 10 A

QSx2xxxxX 2 A

Inputs

Start (terminal 01) Normally open

..... 150 k Ω @ 300 VAC and 5.6 k Ω @ 24 VAC/VDC

Stop (terminal 02) Normally closed

..... 150 k Ω @ 300 VAC and 5.6 k Ω @ 24 VAC/VDC

Outputs

Main contactor (terminals 13, 14) Normally open



.....	6 A, 30 VDC / 6 A, 250 VAC resistive
Run relay (terminals 23, 24)	Normally open
.....	6 A, 30 VDC / 6 A, 250 VAC resistive

Environmental

Degree of Protection QSxxx018 to QSxxx100	IP20
Degree of Protection QSxxx140 to QSxxx200	IP00
Operating temperature	- 10 °C to + 60 °C
Storage temperature ...	-25 °C to + 60 °C (to +70 °C for less than 24 hours)
Humidity	5% to 95% Relative Humidity
Pollution degree	Pollution Degree 3
Vibration	IEC 60068 Test Fc Sinusoidal
.....	4 Hz to 13.2 Hz: ± 1 mm displacement
.....	13.2 Hz to 200 Hz: ± 0.7 g

EMC Emission

Equipment class (EMC)	Class B
Conducted radio frequency emission	0.15 MHz to 0.5 MHz: < 56-46 dB (µV)
.....	0.5 MHz to 5 MHz: < 46 dB (µV)
.....	5 MHz to 30 MHz: < 50 dB (µV)
Radiated radio frequency emission ...	30 MHz to 230 MHz: < 30 dB (µV/m)
.....	230 MHz to 1000 MHz: < 37 dB (µV/m)

EMC Immunity

Electrostatic discharge	4 kV contact discharge, 8 kV air discharge
Radio frequency electromagnetic field	
.....	0.15 MHz to 1000 MHz: 140 dB (µV)
Rated impulse withstand voltage (Fast transients 5/50 ns)	
.....	2 kV line to earth, 1 kV line to line
Voltage dip and short time interruption ...	100 ms (at 40% nominal voltage)
Harmonics and distortion	IEC61000-2-4 (Class 3), EN/IEC61800-3

Short Circuit

Rated short-circuit current QSxxx018 to QSxxx048	5 kA ¹
Rated short-circuit current QSxxx060 to QSxxx200	10 kA ¹

¹ These short circuit ratings are with fuses used as given in the table under *Semiconductor Fuses*.

Heat Dissipation

During Start	3 watts / ampere
During Run	10 watts typical



Standards Approvals

- C✓ IEC 60947-4-2
- CCC (pending) GB 14048.6
- CE IEC 60947-4-2
- GOST (pending) GOST R 50030.4.1-2002
- Marine (pending)
 - Lloyds Marine No 1 Specification, ABS: 2010 Steel Vessels Rules
- RoHS Compliant with EU Directive 2002/95/EC
- UL / C-UL (pending) UL 508

7.4 Model Code

Example: Model QS11B018X

