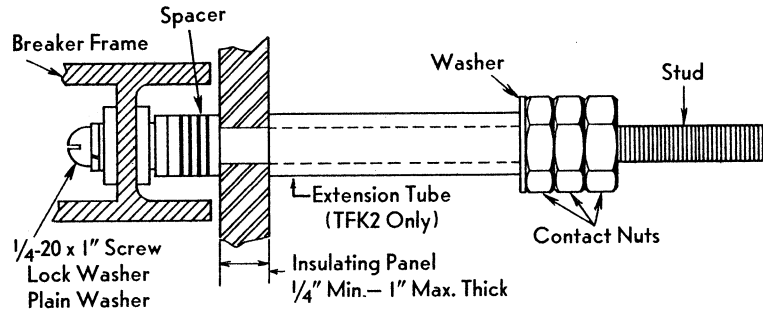




# TFK1, TFK2, BACK CONNECTED STUDS

TYPES TFJ, TFK, THFK MOLDED CASE CIRCUIT BREAKERS

1. Remove four breaker cover screws. Lift off cover.
2. Remove lugs or lug screws from appropriate terminals.
3. If studs are for terminals of TFK or THFK frame only, at this point install TFK trip unit.
4. Mount studs to insulating panel as shown in sketch below.
5. Connect breaker to studs using spacer tubes and 1/4-20 x 1" screws and washers as shown. (Steps 4 and 5 may be reversed).
6. Replace cover, tightening four screws.



CIRCUIT PROTECTIVE DEVICES DEPT. GENERAL ELECTRIC CO.  
Plainville, Connecticut

PLAINVILLE, CONNECTICUT

**GENERAL ELECTRIC**

CIRCUIT PROTECTIVE DEVICES DEPARTMENT

These instructions do not purport to cover all details or variations in equipment nor to provide for every possible contingency to be met in connection with installation, operation or maintenance. Should further information be desired or should particular problems arise which are not covered sufficiently for the purchaser's purposes, the matter should be referred to the General Electric Company.