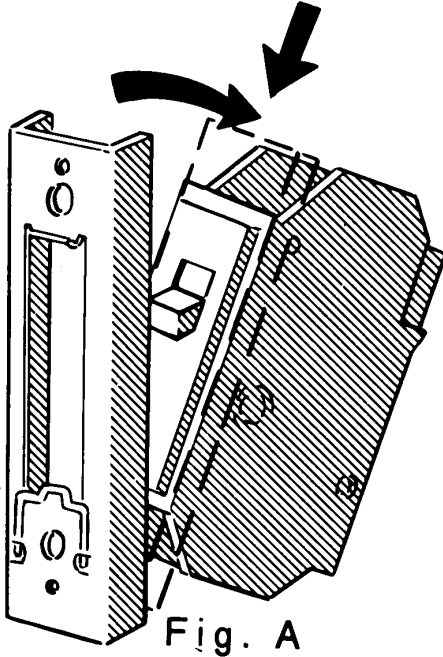


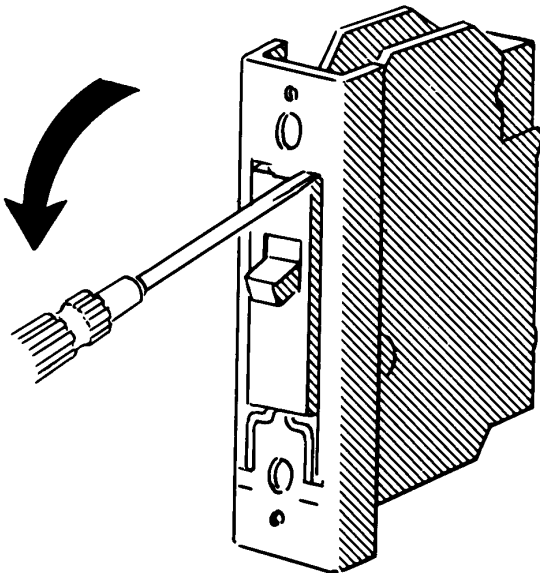
CAT. No. TQCFMP2 (NAED NO.3164-02102)
FRONT-MOUNTING PLATE
FOR 2-POLE TYPE TQC BREAKER*

INSTRUCTIONS FOR ASSEMBLY



1. Assemble mounting plate to front of breaker by inserting spring in slot on load end of breaker as shown in Fig. A.
2. Push down line end of mounting plate until it snaps into place.

INSTRUCTIONS FOR DISASSEMBLY



1. To remove mounting plate from breaker pry it off with screwdriver at line end of breaker as shown in Fig. B.

* For clarity the one-pole frame is shown. For multi-pole application follow same procedure on assembly and removal.

CONSTRUCTION EQUIPMENT

PLAINVILLE, CONNECTICUT 06062

GENERAL  **ELECTRIC**