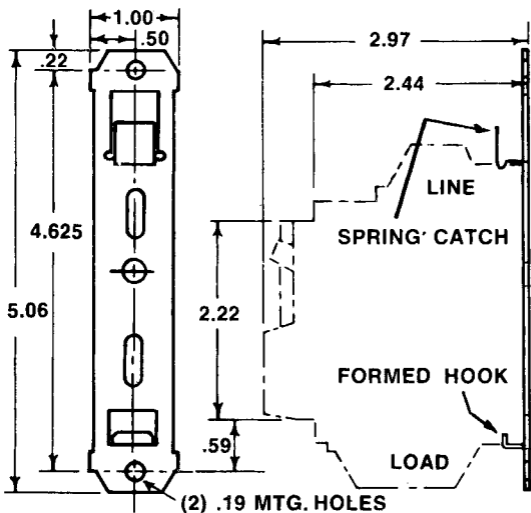


BACK MOUNTING PLATE FOR THQC-GFCI CIRCUIT BREAKER



To install breaker on mounting plate, fit in load end to formed hook, then push down line end of circuit breaker onto spring catch. To disengage circuit breaker, push spring catch with screwdriver or suitable tool.

GENERAL  ELECTRIC

CIRCUIT PROTECTIVE DEVICES DEPT., PLAINVILLE, CONN. 06062