

- NOTES:
5. SEE OUTLINE DRAWING 10055629SH4.
 4. SEE 10054370SH6 AND 10055629SH7 FOR ADDITIONAL INFORMATION.
 3. 8.00 [203.2] MINIMUM DISTANCE ABOVE BREAKER TO METAL DUE TO ARC CHUTE VENTING.
 2. DIMENSIONS IN BRACKETS ARE IN [MILLIMETERS].
 1. ALL OUTLINE DIMENSIONS ARE THE SAME FOR MANUALLY AND ELECTRICALLY OPERATED DEVICES.



Industrial Solutions

by **ABB**

**POWER BREAK II
CIRCUIT BREAKER 3000A**

THIRD ANGLE	SHEET#	DWG. NO.	DATE	REV
	10 of 19	GEM3025	09/19	02

AUXILIARY SWITCH	
19 AUX. 11 "A"	20 AUX. 12 "B"
21 AUX. 11 COM	22 AUX. 12 COM
23 AUX. 9 "A"	24 AUX. 10 "A"
25 AUX. 9 COM	26 AUX. 10 COM
27 AUX. 7 "A"	28 AUX. 8 "A"
29 AUX. 7 COM	30 AUX. 8 COM
31 AUX. 5 "A"	32 AUX. 6 "A"
33 AUX. 5 COM	34 AUX. 6 COM
35 AUX. 3 "A"	36 AUX. 4 "A"
37 AUX. 3 COM	38 AUX. 4 COM
39 AUX. 1 "A"	40 AUX. 2 "A"
41 AUX. 1 COM	42 AUX. 2 COM

↑ FAR* ROW
↑ NEAR* ROW
LEFT SIDE
TERMINAL BLOCK LABEL
BLOCK "A"
*SCREW TERMINAL POSITION RELATIVE TO FRONT OF CIRCUIT BREAKER

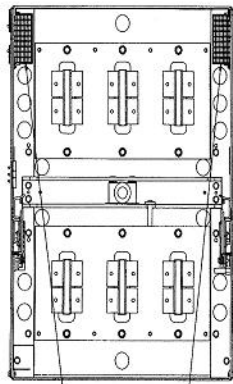
INTERNAL WIRE HARNESS COLOR CODES:	
R=RED	P=PURPLE
W=WHITE	G=GREEN
Y=YELLOW	B=BLACK
N=BROWN	L=BLUE

16 ELECT. OPER. S	16 ELECT. OPER. S
17 RMT. CIG. W	35 RMT. CIG. W
18 RMT. CIG. +	34 RMT. CIG. -
19 B.A. ONLY COM F	33 CIG. IND. F
20 B.A. ONLY NO. S	32 SHUNT TRIP N
21 B.A. ONLY N.C. S	31 SHUNT TRIP N
22 B.A. LOCKOUT COM N	30 O.V.R. N
23 B.A. LOCKOUT NO. N	29 O.V.R. N
24 B.A. LOCKOUT N.C. N	28
25	27
26	26 251 INPUT- M
27	25 251 INPUT+ S
28	24 251 OUTPUT- M
29	23 251 OUTPUT+ S
30	22 DVO SWITCH W
31	21 DVO SWITCH L
32	20 + TOP B
33	19 - COM N

↑ NEAR* ROW
↑ FAR* ROW
RIGHT SIDE
TERMINAL BLOCK LABEL
BLOCK "B"

WIRE CHART

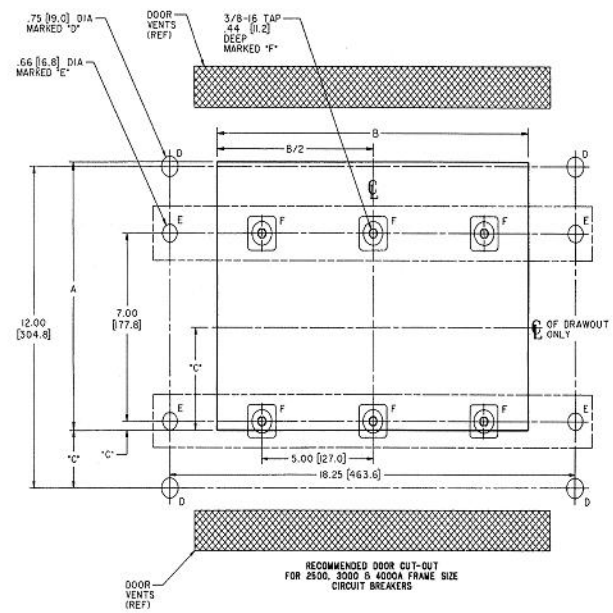
NOTE: WIRE RANGE #18 THRU #12 SOLID OR 5 STRANDED COPPER WIRE. TORQUE: 9LB-IN



SECONDARY DISCONNECT PLUG (DEDICATED POSITIONS)

1	2	3	4	5	6	7	8	9	10	11	12	13	14	15	16	17	18	19	20	21	22	23	24	25	26	27	28	29	30	31	32	33	34	35
---	---	---	---	---	---	---	---	---	----	----	----	----	----	----	----	----	----	----	----	----	----	----	----	----	----	----	----	----	----	----	----	----	----	----

LEFT SIDE RIGHT SIDE
NOTE: ALL WIRES ON LEFT = AUX. SWITCH WIRES. ALL WIRES ON RIGHT = ALL OTHER WIRING. *S CORRESPOND TO WIRE CHART I.E. #31, 32 RIGHT = SHUNT TRIP



FRAME RATING	BREAKER TYPE	WEIGHT		MINIMUM COMPARTMENT VOLUME	MINIMUM DOOR VENTILATION	STANDARD DOOR CUT-OUT			OPTIONAL DOOR CUT-OUT		
		BREAKER	DRAWOUT SUBSTRUCTURE			A	B	C	A	B	C
2500A	BACK CONNECTED	167 LBS [76KG] *	N/A	13,959 CU.IN. [229,600 CU.CM.]	160 SQ.IN. [1,032 SQ.CM.] TOTAL 80 SQ.IN. [516 SQ.CM.] TOP 80 SQ.IN. [516 SQ.CM.] BOTTOM	10	14	34	9.83	13.38	29.5
	FRONT CONNECTED	178 LBS [80KG] *				[254]	[356]	[6.6]	[249.7]	[339.9]	[6.4]
3000A	BACK CONNECTED	266 LBS [98.3KG] *	N/A	20,832 CU.IN. [341,375 CU.CM.]	270 SQ.IN. [1,742 SQ.CM.] TOTAL 135 SQ.IN. [871 SQ.CM.] TOP 135 SQ.IN. [871 SQ.CM.] BOTTOM	TRIM PLATE REQUIRED			FLUSH FRONT OR NON-HINGED DOOR CONSTRUCTION- TRIM PLATE MAY BE OMITTED		
	FRONT CONNECTED	179 LBS [81.4KG] *				217	[55.1]	2,255	[57.28]		
4000A	FRONT CONNECTED	320 LBS [145.6KG] *		25,143 CU.IN. [412,020 CU.CM.]	270 SQ.IN. [1,742 SQ.CM.] TOTAL 135 SQ.IN. [871 SQ.CM.] TOP 135 SQ.IN. [871 SQ.CM.] BOTTOM	10	14	3.64	9.83	13.38	3.755
2500A	DRAWOUT MOUNTED	232 LBS [105.6KG] *	111 LBS [50.5KG]	10,991 CU.IN. [180,109 CU.CM.]	246 SQ.IN. [1,587 SQ.CM.] TOTAL 123 SQ.IN. [793.5 SQ.CM.] TOP 123 SQ.IN. [793.5 SQ.CM.] BOTTOM	[254]	[356]	[97.5]	[249.7]	[339.9]	[95.38]
3000A		233 LBS [106KG] *	111 LBS [50.5KG]	10,991 CU.IN. [180,108 CU.CM.]	246 SQ.IN. [1,587 SQ.CM.] TOTAL 123 SQ.IN. [793.5 SQ.CM.] TOP 123 SQ.IN. [793.5 SQ.CM.] BOTTOM	TRIM PLATE REQUIRED			FLUSH FRONT OR NON-HINGED DOOR CONSTRUCTION- TRIM PLATE MAY BE OMITTED		
4000A		295 LBS [134.2KG] *	167 LBS [76KG]	15,138 CU.IN. [248,074 CU.CM.]	246 SQ.IN. [1,587 SQ.CM.] TOTAL 123 SQ.IN. [793.5 SQ.CM.] TOP 123 SQ.IN. [793.5 SQ.CM.] BOTTOM	TRIM PLATE REQUIRED			FLUSH FRONT OR NON-HINGED DOOR CONSTRUCTION- TRIM PLATE MAY BE OMITTED		

N/A = NOT APPLICABLE
* ADD 9 LBS [4.1KG] FOR ELECTRICAL OPERATOR

TABLE 1

- NOTES:
- SEE OUTLINE DRAWING 10055629SH7.
 - SEE 10054370SH6 FOR MECHANICAL ACCESSORY INFORMATION.
 - 'F' DIA. = 2500A & 3000A BACK CONNECTED BREAKER MOUNTING INSERTS.
 - 'E' DIA. = 2500A & 3000A FRONT CONNECTED BREAKER MOUNTING HOLES.
 - 'D' DIA. = 4000AMP FRONT CONNECTED BREAKER MOUNTING HOLES.
 - BUSBARS OR CABLES SHOULD BE SIZED PER UL89I DEAD-FRONT SWITCHBOARDS STANDARD
 - DIMENSIONS IN BRACKETS ARE [METRIC].

Industrial Solutions

by ABB

POWER BREAK II

CIRCUIT BREAKER WEIGHTS & VENTS INFO

THIRD ANGLE	SHEET#	DWG NO.	DATE	REV
	13 of 19	GEM3025	09/19	02