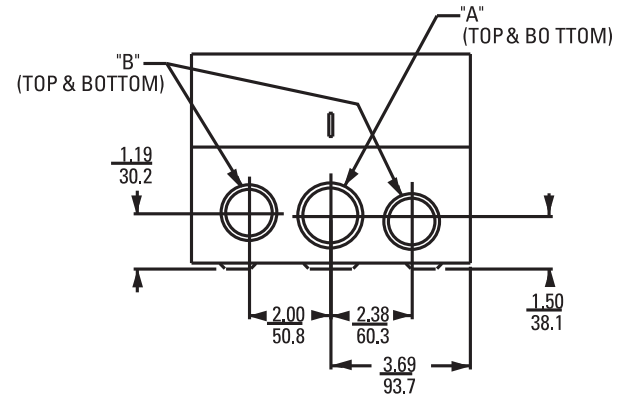
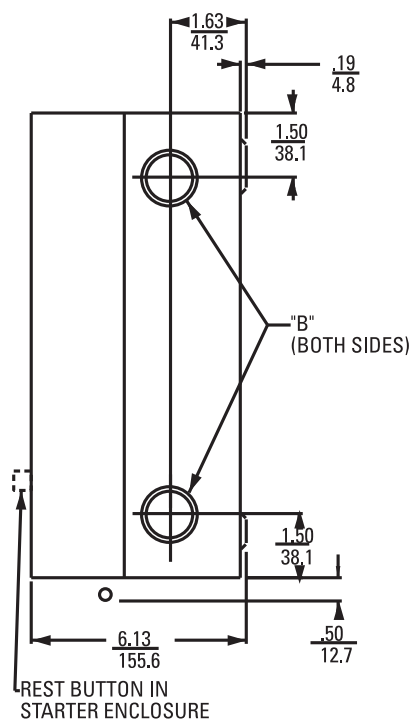



"A" Combination Knock-Outs for 1" or 1 1/4" Conduit  
 "B" Combination Knock-Outs for 1/2" or 3/4" Conduit



Dual Dimensions  $\frac{\text{Inches}}{\text{(Millimeters)}}$  (Estimating Only)

 imagination at work		
PUB# GEP1260-04-009		
Enclosure CR353XE1BC		
File Name 353X 25-60A Enclosure	Date 06/01/2010	Rev 01