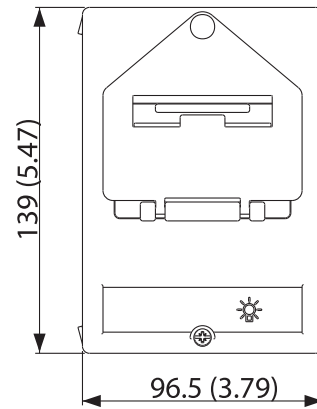
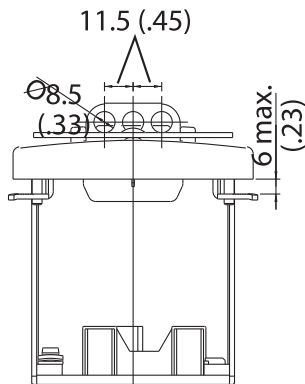
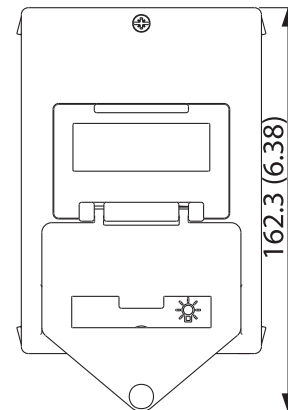


Padlocking device
locked



unlocked



Dual Dimensions $\frac{\text{Inches}}{\text{(Millimeters)}}$ (Estimating Only)



PUB# GEP1260-06-025

Non-metal Enclosure for GPS1BSAA-GPS1BSAP
Flush Mounting with Padlocking Device

| File Name | Date | Rev |
|--|------------|-----|
| IECMMS GPS1BSAA-GPS1BSAP NonMtlEncl FlshmntPadlck | 06/01/2010 | 01 |