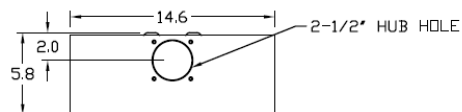


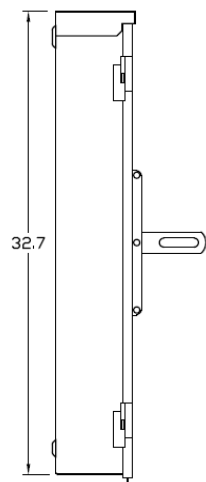
Top View



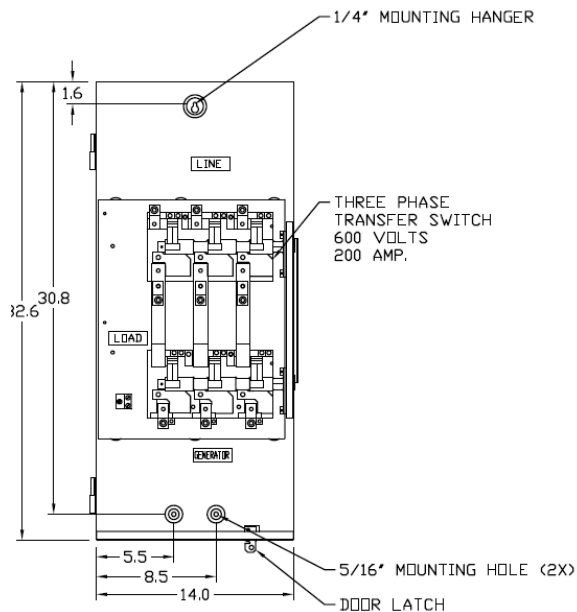
Notes

- USE UNE #6-250 MCM CU/AL WIRE PER LUG FOR 200 AMP SWITCH
- EQUIP. GRD.-#14-1/0 CU/AL

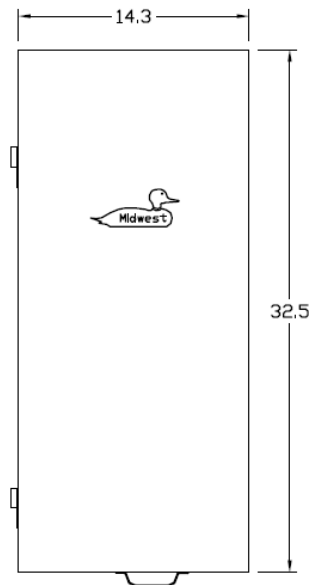
Left Side View



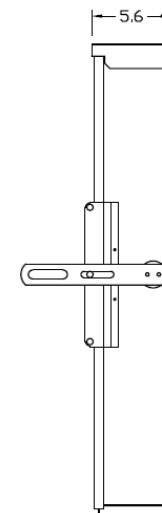
Front View Internal



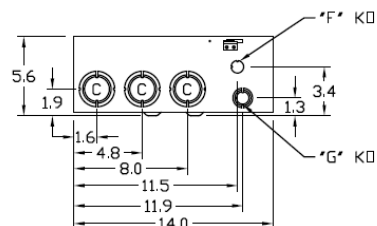
Front View External



Right Side View



Bottom View



Wire Range

(1) #6 - 250MCM (CU/AL)

Knockouts

C= 1-1/4", 1-1/2", 2" KØ
 F= 1/2" KØ
 G= 1/2", 3/4", 1" KØ



MIDWEST HD TRANSFER SWITCH 3P 10K 200A MAIN
 200A STANDBY 3PH 600V N3R G90 STEEL ENCL

CAT NO	DWG DATE	REV #
GS3262B25UL	03/23/2017	01