



Circuit Breaker/Switchgear Renewal Parts Catalog

(Low, Medium, and High Voltage)



GE Support Services



GE Support Services

**For your parts needs,
call the GE Parts contact shown below:**

**For more information contact your authorized
GE sales representative or GE distributor.**

**Visit the GE Support Services website at:
www.gess.ge.com**

GE Circuit Breaker/Switchgear Renewal Parts

GE Support Services

...dedicated to providing product support for GE parts and components and GE mature products. Trained sales and marketing specialists are ready to assist you with any product information inquiry. A \$25 million parts inventory insures the best possible service levels to you and your customer, and if we don't have the part in stock, our extensive database assists in locating the product you need or provides substitute items available immediately.

The following pages contain all presently available Switchgear parts that GE Support Services provides. Please contact your local GE distributor or a GE Sales representative regarding any questions you may have regarding all other GE renewal parts and components.

Features	Benefits
Extensive Inventory	—Fill all your parts needs immediately from an extensive stock inventory of over 12,000 items
In-house Parts Experts	—Our experts can assist with product identification, cost, and availability
24-hour Emergency Service	—Available seven days a week
Nationwide Communications Systems	—Tracks orders from entry to shipment so we can locate the parts you need and speed up the shipping process
Automated Warehouse	—Electronic linkage guarantees superior service on all stock and provides reliable, same-day/overnight delivery
Sourcing of Obsolete Parts	—With access to GE prints, GE Support Services can provide you with obsolete factory items
Full Factory Warranties	—Honor all warranties on parts sold through GE Support Services
Repair and Exchange Programs	—Choose from our repair-and-return option or our exchange plan for electronic boards for significant savings
Catalog Information	—Technical publications, catalogs, and price sheets

GE Support Services is your GE source for:

- Power Distribution Parts
 - Circuit Breaker
 - Switchgear
 - Transformer
 - Oil Cutouts
- Industrial Control Parts & Devices
- Drive Parts & Components
- Motor Parts
 - AC (Small, Medium & Large)
 - DC (Small, Medium & Large)
- Power Generation Parts
 - Turbine (Frames 3-2, 5-1 and 5-2)
 - GE Flame Tracker
- Specialty Products
 - Environmental Systems
 - GE Fanuc (Series 1, 1jr, 3 and 5)
 - GE Micro Switch Push Buttons
 - GE Push Buttons (CR103/104 & 080)
 - GE Starters/Contactors (CR700)
 - Molded Case Circuit Breakers (TEL, TEMPL, TFL)
 - Motor Starter Kits
 - Photoelectric Controls (357505/7511)
 - Power Fuses (9F60, 9F62)
 - Switches (QMR & SB)
 - Transportation (Switching Locomotive Parts)
 - Watt-hour Meters & Instruments



GE Circuit Breaker/Switchgear Renewal Parts Catalog

Contents

Low Voltage Circuit Breaker Parts

1. AK-15/25 and AKR-30S Series Circuit Breakers1
2. AKR-30 and AK/AKR-50 Series Circuit Breakers13
3. AKS-50 and AK/AKR-75/100 Series Circuit Breakers37
4. Programmers and Related Parts67

Medium Voltage Circuit Breaker/Switchgear Parts

5. Power/Vac Vacuum Circuit Breaker/Switchgear73
ML-17 and ML-18 Mechanism
6. Magne Blast (Type AM) and GE/Vac Circuit Breakers/Switchgear87
7. Vertical Lift Metal-Clad Switchgear Parts103
M-26 and M-36

High Voltage Circuit Breaker Parts

8. Oil Distribution Circuit Breakers (14.4 to 25.8 kV)109
9. Vacuum Distribution Circuit Breakers (14.4 to 25.8 kV)113
10. Single Tank Oil Circuit Breakers (14.4 to 72.5 kV)117
11. Three Tank Oil Circuit Breakers (14.4 to 72.5 kV)123
12. Three Tank Oil Circuit Breakers (115 to 242 kV)129
13. Air Transmission Circuit Breakers (115 to 550 kV)141

Specialty Breaker Parts

14. DC Breakers147
MC-5 and MC-6; AG-7
15. Station Breakers171
16. Network Protectors203

Conversions/ Modifications/Other

17. Trip Device Conversion Kits219
18. AK/AKR Asbestos Free Arc Quencher Replacement Kits225
19. Other Factory Conversions and Upgrades227
20. Oil Cutouts229

WavePro™ 800-2000 Ampere Power Circuit Breakers

21. Back Frame Assembly and Components238
22. Front Frame Assemblies and Components242
23. Standard Parts and Assemblies243
24. Accessories248
25. Trip Units252

WavePro™ 3200-5000 Ampere Power Circuit Breakers

26. Back Frame Assembly and Components254
27. Front Frame Assembly and Components256
28. Standard Parts and Assemblies257
29. Accessories260
30. Trip Units, Rating Plugs, Target Modules265



Oil Distribution Circuit Breakers (14.4 to 25.8 kV)

Included in this Section

These oil-blast breakers are triple pole outdoor units used in distribution voltage applications. These breakers were manufactured from 1950 to 1983 and used for rapid interruption of distribution circuits in the distribution voltage range of 14.4 kV to 25.8 kV (nominal) inclusive. The breaker illustrated consists of a three pole breaker unit and an operating mechanism.

FKD-14.4-100/250/500-0, -1, -2, -3	OR-A-14.4-560/1120-0, -1	OR-E-23-560/1120-0
FKD-15.5-8900/18000-4, -5	OR-B-14.4-560/1120-0, -1	OR-F-23-560/1120-0, -1
FKD-23-250/500-0, -1, -2	OR-A-15.5-10000-2	OR-F-27-8000-2
FKD-25.8-11000-3, -4	OR-B-15.5-16000-2	

Equipment Identification and Nomenclature Guide

When ordering parts, or requesting information, please refer to the breaker model number² and serial number¹. Both numbers can be found stamped on the nameplate located inside the mechanism door, as pictured below. The operating mechanism type³ is also stamped on the nameplate.

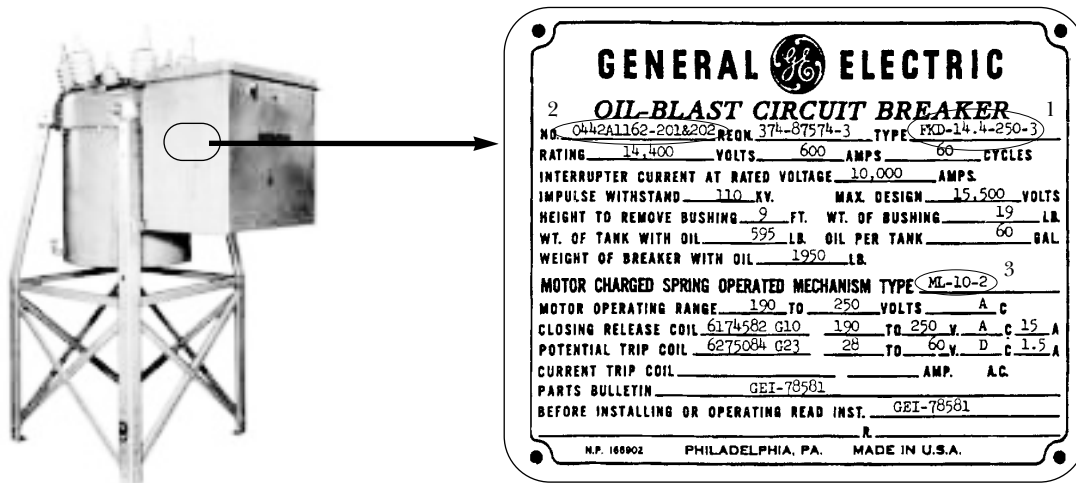
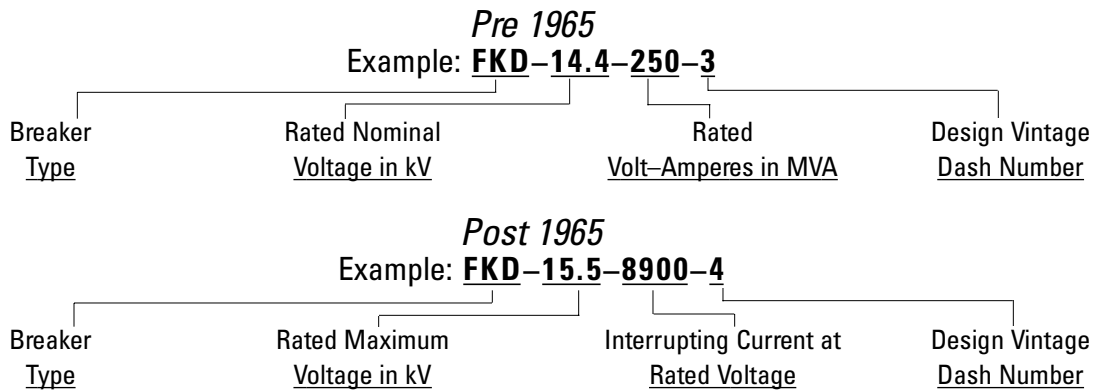


Figure 8: Oil Distribution Circuit Breaker Nameplate Data



110 High Voltage Circuit Breaker Parts

Table 8A, FKD Breaker Parts—See Figure 8A on facing page

Ref. # Fig. 8A	Description	FKD Breaker Type	
		14.4/15.5 KV	23/25.8 KV
1	Gray Bushing (12.5 Inch Creep)	0263X0803705	Not Applicable
	Brown Bushing (12.5 Inch Creep)	0263X0803701	Not Applicable
	Gray Bushing (18 Inch Creep)	0263X0803706	0269A3691AAP633
	Brown Bushing (18 Inch Creep)	0263X0803702	0269A3691AAP632
2	Gasket for Bushing Porcelain (All Breakers except 25.8KV)	0178V0103001	
3	O-Ring for Bushing Cap ①	0193A4434220	Not Applicable on 25.8 KV
4	Brown Bushing Porcelain (12.5 Inch Creep)	0268B0696001	Not Applicable
	Gray Bushing Porcelain (12.5 Inch Creep)	0268B0696004	Not Applicable
	Brown Bushing Porcelain (18 Inch Creep)	0268B0696003	Not Applicable
	Gray Bushing Porcelain (18 Inch Creep)	0268B0696005	Not Applicable
5	O-Ring for Bushing Support	0193A4434244	
6	Gasket for Oil Tank All Breakers except FKD-14.4-100/250-0	0182V0835005	
	Gasket for Oil Tank FKD-14.4-100/250-0 Only	0178V0162001	
7	Lift Rod Guide FKD-14.4/23-500, FKD-15.5/25.8-11000/18000, OR-B, and OR-F	0153B9228702	
	Lift Rod Guide All ratings except FKD-14.4/23-500, FKD-15.5/25.8-11000/18000, OR-B, and OR-F	0153B9228701	
NI	Glass Window For Indicator	0178V0727001	
8	Interrupter	0214X0109702	0214X0109703
9	Moving Contact Assembly End Phase	0809B0326704	0809B0327702 0809B0327704 (OR-E only)
	Moving Contact Assembly Middle Phase	0809B0326703	0809B0327701 0809B0327703 (OR-E only)
10	Lift Rod	0103A1180003	0103A3959003 0103A3959001 (OR-E only)
11	Contact Rod & Tip	0103A3850701	0103A3850702
13	O-Ring for Stop Bolt	0193A4434114	
NI	Stop Bolt	0181V0867001	
14	Oil Gage Gasket FK-14.4-100/250-0 Only	0182V0515001	Not Applicable
	Oil Gage Glass Tube FK-14.4-100/250-0 Only	0181V0558002	Not Applicable
14	Oil Gage All Except FK-14.4-100/250-0	0109B1638701	
	Oil Gage Gasket (Wide) All Except FK-14.4-100/250-0	0103A6162001	
	Oil Gage Gasket (Narrow) All Except FK-14.4-100/250-0	0103A6162003	
	Glass Tube for Oil Gage All Except FK-14.4-100/250-0	0103A6161001	

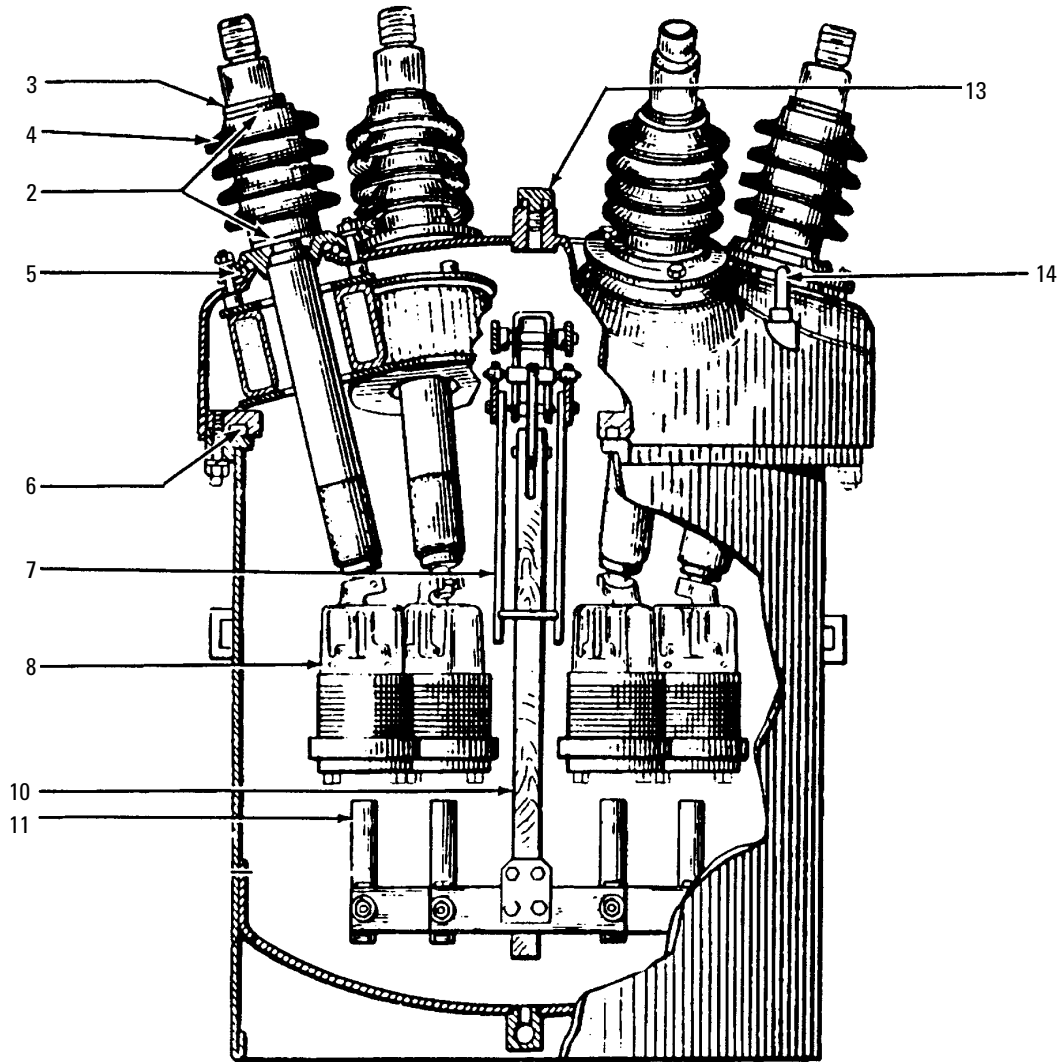
① For all breakers except FKD-14.4-100/250, For FKD-14.4-100/250 order gasket 0183V0961001.

NI: Not illustrated in Figure #8A.

Note: Some early design FKD-14.4-100/250 breakers were designated FK-14.4 on the nameplate.

For more information contact your authorized GE sales representative or GE Distributor.

FKD Breaker Parts



High Voltage
Circuit Breaker Parts

Figure 8A: Cross sectional view of FKD Breaker (refer to Table 8A for the GE Catalog Number)



112 High Voltage Circuit Breaker Parts

Table 8B, FKD ML-10-0, -1, -2, -3 Mechanism Parts

Description	24 VDC	48 VDC	125 VDC	250 VDC	120 VAC	240 VAC
Trip Coil	006174582727	006174582732	006174582722	006174582G002	006174582727	006174582710
Close Coil	006174582727	006174582739	006174582722	006174582G002	—	006174582710
Close Coil 120 VAC only	—	—	—	—	0366A0764701	—
Seal-In Resistor DC Only 0235L0434	0235L0434712	0235L0434711	0235L0434715	0235L0434710	—	—
Seal-In Resistor AC Only	—	—	—	—	0103A5114002 [Ⓜ]	0103A5114001
Motor	Not Available	0268B0673003	0268B0673002	0268B0673001	0268B0673002	0268B0673001
Heater	—	—	—	—	0132A1384001	0132A1384002

[Ⓜ] For ML-10-0 mechanism only, two resistors are required and should be wired in series.

Further Details

FKD Renewal Parts Bulletin
Distribution Circuit Breaker Catalog

GEF-4577
BP-91/11

114 High Voltage Circuit Breaker Parts

Table 9A, VIB Breaker Parts—See Figure 9A on page 116

Ref. # Fig. 9A	Description	VIB Breaker Type					
		15.5-12000-4 600A 15.5-16000-1 800A	15.5-16000-1 1200A 15.5-20000-1, -2 1200A	15.5-20000-0 1200A	15.5-25000-0 1200A	15.5-28000-0 1200A	15.5-25000-1 1200A
1	Bushing Complete Gray Brown	0104B3735713 —	0128C9937701 0128C9937703	0128C9937701 0128C9937703	— 0128C9937709	0128C9937701 0128C9937703	0128C9937701 0128C9937703
NI	Bushing Upper Gasket	0138A7888002	0202A7427002				
NI	Bushing Porcelain Gray Brown	—	0104B3729002 0104B3729001				
NI	Bushing Lower Gasket	0138A7888001	0202A7427001				
NI	Bushing Bellville Washer	0138A7132001	0202A7438001				
11	Interphase Barrier	0128C9944006					
12	Rear Connector (Near Side)	0203A3486002					
12	Rear Connector (Far Side)	0203A3486003					
13	Flexible Lead	0203A3485701					
14	Radiator Connector	0159C1007001					
16	Clamp	0203A3475002					
17	Interrupter	0197B4900001	0197B4900007	0197B4900005			0197B4900006
18	Clevis	0128C9930008			0128C9930001		
19	Flexible Connector & Block	0193A2831701	0191B4433701		0191B4433702		
20	Counter	0269A3691AAP593					
NI	Spring for Counter	0455A0300001					
21	Auxiliary Switch	0183B8406701					
26	Bias Spring	0202A7434001					
27	Bias Spring Guide	0128C9964701					
28	Locknut	0254A1272001					
29	Main Crank	0193B9411002			0193B9411001		
30	Shaft	0128C9939001					
31	Bias Spring Coupling	0128C9930005					
32	Operating Rod Adj. Coupling	0128C9930014					
33	Stand-Off Insulator	0104B3599702					
34	Insulated Operating Rod	0128C9944701					
35	Saddle Link	0128C9927004					
36	Contact Guide Link	0128C9927007					
37	Wipe Spring Guide	0128C9927005					
38	Wipe Spring Stop Nut	006477429002					
39	Trunnion Pin	0128C9930002					
40	Wipe Spring (Inner)	0202A8398001					
41	Wipe Spring (Outer)	0202A8398002					
42	Interrupter Support	0197B4909702	0197B4909702 0125D6909001 ①	0125D6909001			0197B4909701
43	Front Clamp (Near Side)	0193B8962001					
44	Front Clamp (Far Side)	0193B8962002					
45	Spring Assembly	0158A8808702					

NI: Not illustrated in Figure #9A.

① (20000-1 only)

Table 9B, VIBC Breaker Parts—See Figure 9A on page 116

Ref. # Fig. 9A	Description	VIB Breaker Type		
		25.8-16000-0 1200A 25.8-20000-0 1200A	15.5-20000-0 2000A	15.5-25000-0 2000A
1	Bushing Complete Gray Brown	0104D6119703 0104D6119706		0104D6119701 0104D6119705
NI	Bushing Upper Gasket	0202A7427006		0202A7427008
NI	Bushing Porcelain Gray Brown	0159C1041003 0159C1041004		0159C1040001 0159C1040002
NI	Bushing Lower Gasket	0202A7427006		0202A7427007
NI	Bushing Bellville Washer	0251A9078001		0251A9078002
11	Interphase Barrier		0128C9944015	
12	Rear Connector		0159C1053003	
13	Flexible Lead		0251A9020702	
14	Radiator Connector		0159C1053005	
15	Shield		0159C1002001	
16	Clamp (order both halves)	0159C1058002 0159C1058003		0159C1057002 0159C1057003
17	Interrupter	0197B4900008	0197B4900007	0197B4900006
18	Clevis	0128C9930001		—
19	Flexible Connector & Block	0191B4433702		—
20	Counter		0269A3691AA1593	
NI	Spring For Counter		0455A0300001	
21	Auxiliary Switch		0183B8406701	
26	Bias Spring		0254A1263001	
27	Bias Spring Guide		0128C9964701	
28	Locknut		0254A1272001	
29	Main Crank	0193B9411001	0193B9411002	0193B9411001
30	Shaft		0193B8942701	
31	Bias Spring Coupling		0128C9930005	
32	Operating Rod Adj. Coupling		0251A9040001	
33	Stand-Off Insulator		0161A4123701	
34	Insulated Operating Rod	0128C9944704		0128C9944703
35	Saddle Link	0128C9927004		0203A3413001
36	Contact Guide Link		0128C9927007	
37	Wipe Spring Guide		0128C9927005	
38	Wipe Spring Stop Nut		006477429002	
39	Trunnion Pin		0128C9930002	
40	Wipe Spring		0202A8398001	
42	Interrupter Support	0125D6909001	0104D6118701	0695D0798701
43	Front Clamp (Near Side)	0159C1058002	0159C1057002	
44	Front Clamp (Far Side)	0159C1058003	0159C1057003	
45	Spring Assembly		0158A8808702	

NI: Not illustrated in Figure #9A.

High Voltage
Circuit Breaker Parts



116 High Voltage Circuit Breaker Parts

VIB Breaker Parts

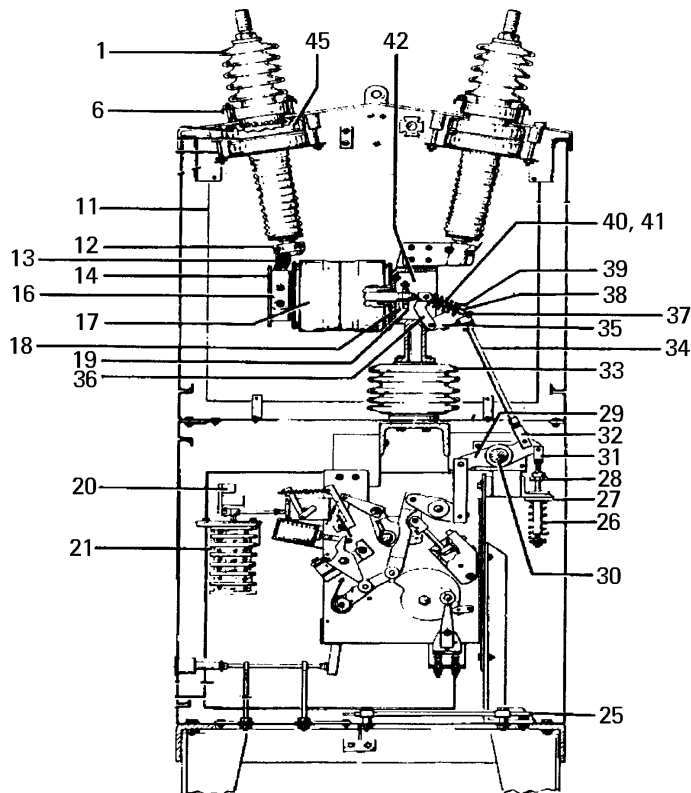


Figure 9A: Cross sectional view of Vacuum Distribution Circuit Breaker (refer to Table 9A and 9B for the GE Catalog Number)

Table 9C, VIB MLV Mechanism Parts

Description	24 VDC	48 VDC	125 VDC	250 VDC	120 VAC	240 VAC
Trip Coil	006174582727	006174582732	006174582722	006174582G002	006174582727	006174582732
Close Coil	—	006174582739	006174582722	006174582G002	—	006174582710
Close Coil 120 VAC only	—	—	—	—	0366A0764701	—
Seal-In Resistor DC Only	—	0235L0434711	0235L0434715	0235L0434710	—	—
Seal-In Resistor AC Only	—	—	—	—	0103A5114002	0103A5114001
Motor	Not Available	0268B0673003	0268B0673002	0268B0673001	0268B0673002	0268B0673001
Heater	—	—	—	—	0132A1384001	0132A1384002

Further Details

VIB Renewal Parts Bulletin
Distribution Circuit Breaker Catalog

GEF-4646
BP-91/11

For more information contact your authorized GE sales representative or GE Distributor.

Single Tank Oil Sub-transmission Breakers (14.4 to 72.5 kV)

Included in this Section

These oil-blast breakers are triple pole outdoor units used in distribution voltage applications. These breakers were manufactured from 1950 to 1983 and used for rapid interruption of distribution circuits in the distribution voltage range of 14.4 kV to 72.5 kV (nominal) inclusive. The breaker illustrated consists of a three pole breaker unit and an operating mechanism.

FKA-14.4-1000-0, -1, -2	FKA-38-22000-3, -4, -5, -6	FKA-69-2500/3500-0
FKA-15.5-36000-3, -5, -6	FKA-46-500/1500-0, -1, -2	FKA-72.5-19000/27000-1, -2, -3
FKA-23-500-0, -1	FKA-48.3-17000-3, -4, -5, -6	
FKA-34.5-500/1000/1500-0, -1, -2	FKA-48.3-29000-3, -4, -5, -6	

Equipment Identification and Nomenclature Guide

When ordering parts, or requesting information, please refer to the breaker model number² and serial number¹. Both numbers can be found stamped on the nameplate located inside the mechanism door, as pictured below. The operating mechanism type³ is also stamped on the nameplate.

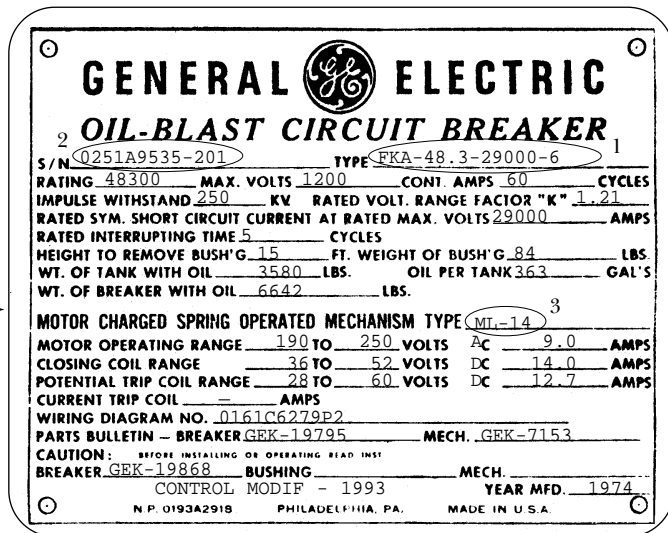
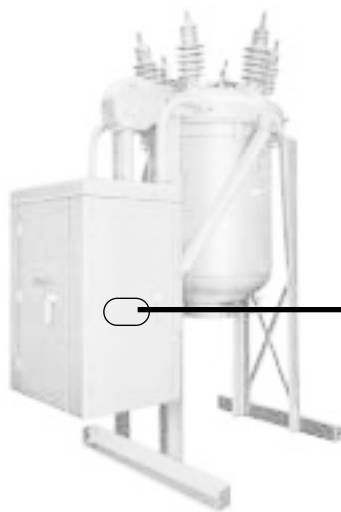
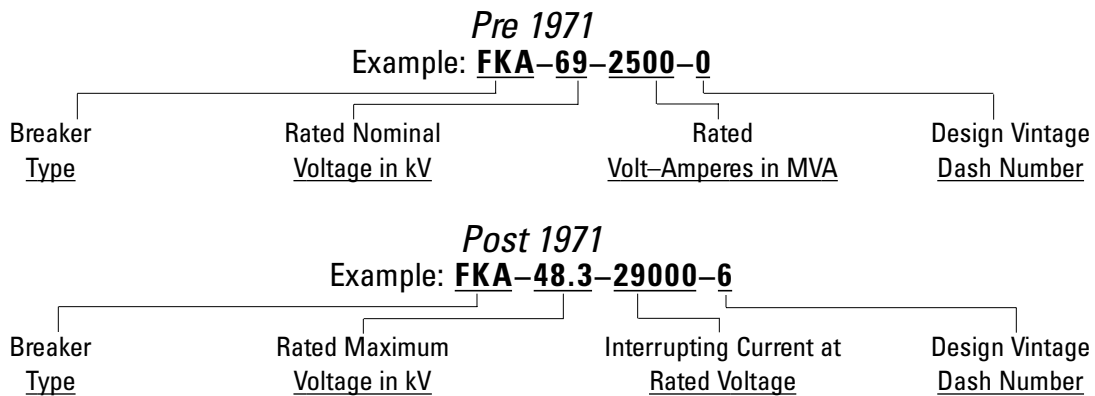


Figure 10: Single Tank Oil Sub-transmission Breaker Nameplate Data



118 High Voltage Circuit Breaker Parts

Type FKA Oil Circuit Breaker Parts

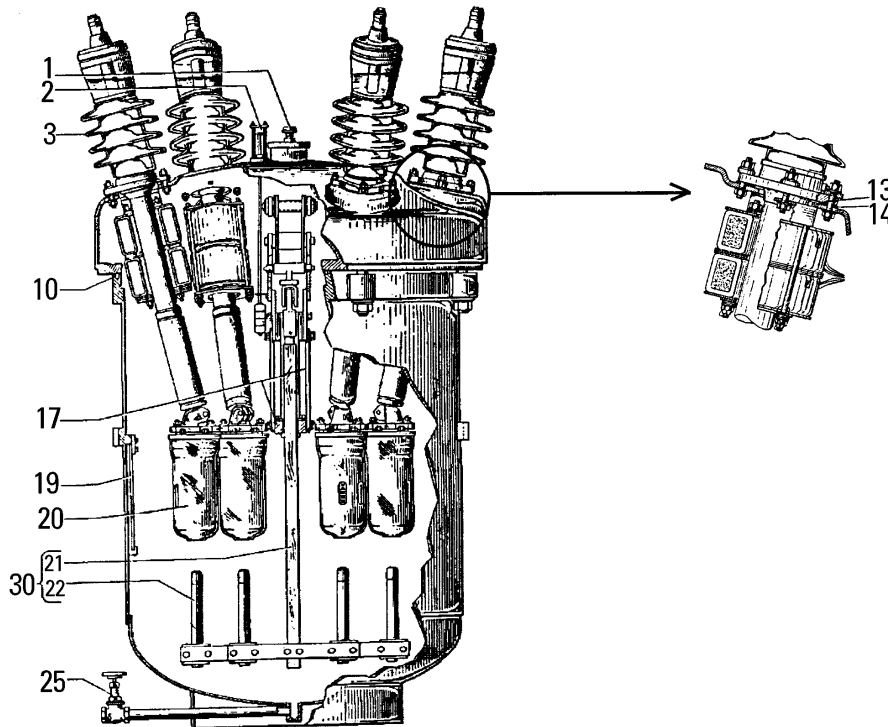


Figure 10A: FKA 14.4 kV through 72.5 kV Oil Breaker (refer to Table 10A through 10I for the GE Catalog Number)

Table 10A, FKA-14.4, 15.5, 23 -See Figure 10A above

Ref. # Fig.10A	Description	FKA Breaker Type						
		-14.4-1000-0	-14.4-1000-1	-14.4-1000-2	-15.5-36000-3	-15.5-36000-5	-15.5-36000-6	-23-500-0
1	Breather				0182V0804001			
2	Oil Gage				0103A6105701			
NI	Oil Gage Glass				006370470020			
	Upper & Lower Oil Gage Gasket				006440357001			
3	Brown Bushing				0269A3691AAP602			
	Gray Bushing				0269A3691AAP603			
10	Tank Gasket				0173A9024004			
13	Bushing Gasket				0138A7102004			
14	Bushing Gasket Retainer	None			0399A0231001		None	
17	Lift Rod Guide ASM	0809B0154701			0104D5848702	0104D5847704	0809B0154701	
19	Tank Liner	0809B0149701			0153B5271701			
20	Interrupter	0175L0885714	0186L0952701		0214X0286703		0175L0885713	
21	Lift Rod	0191B3615021		0191B3616001	0191B3616005		0191B3615021	
22	Contact Rod	0269A2229701			0269A2229702		0103A3849003	
25	Drain Valve	0275A7343001						
30	Moving Contact ASM (Blade & Rod) Outer	0278B0737702		0123B1903701	0123B1903717		0278B0737701	
	Moving Contact ASM (Blade & Rod) Inner	0278B0737704		0123B1903702	0123B1903718		0278B0737703	

NI: Not illustrated in Figure #10A.

For more information contact your authorized GE sales representative or GE Distributor.

Table 10B, FKA-14.4, 15.5, 23 –See Figure 10A on page 118

Ref. # Fig. 10A	Description	FKA Breaker Type					
		-14.4-1000-1R	-14.4-1000-2R	-15.5-36000-3R	-15.5-36000-5R	-15.5-36000-6R	-23-500-1R
1	Breather	0182V0804001					
2	Oil Gage	0103A6105701					
NI	Oil Gage Glass	006370470020					
	Upper & Lower Oil Gage Gasket	006440357001					
3	Brown Bushing	0269A3691AAP602					
	Gray Bushing	0269A3691AAP603					
10	Tank Gasket	0173A9024004					
13	Bushing Gasket	0138A7102004					
14	Bushing Gasket Retainer	None		0399A0231001			None
17	Lift Rod Guide ASM	0809B0154701			0104D5848702	0104D5847704	0809B0154701
19	Tank Liner	0809B0149701			0153B5271701		0809B0149701
20	Interrupter	0186L0952705			0214X0286713		0186L0952706
21	Lift Rod	0191B3615025	0191B3616003	0191B3616005		0191B3615025	
22	Contact Rod	0269A2219711					
25	Drain Valve	0275A7343001					
30	Moving Contact ASM (Blade & Rod) Outer	0278B0737715		0123B1903719			0278B0737715
	Moving Contact ASM (Blade & Rod) Inner	0123B0737716		0123B1903720			0278B0737716

Table 10C, FKA-34.5 –See Figure 10A on page 118

Ref. # Fig. 10A	Description	FKA Breaker Type							
		-34.5-1000-0 -34.5-1500-0	-34.5-1500-1	-34.5-1500-2	-34.5-500-0	-34.5-1000-1R -34.5-1500-1R	-34.5-1500-2R	-34.5-500-1R	
1	Breather	0182V0804001							
2	Oil Gage	0103A6105701							
NI	Oil Gage Glass	006370470020							
	Upper & Lower Oil Gage Gasket	006440357001							
3	Brown Bushing	0269A3691AAP602							
	Gray Bushing	0269A3691AAP603							
10	Tank Gasket	0173A9024004							
13	Bushing Gasket	0138A7102004							
14	Bushing Gasket Retainer	NONE							
17	Lift Rod Guide ASM	0809B0154701							
19	Tank Liner	0809B0149701							
20	Interrupter	0175L0885716	0186L0952703		0175L0885715	0186L0952707			
21	Lift Rod	0191B3615021		0191B3616001	0191B3615021	0191B3615025	0191B3616003	0191B3615025	
22	Contact Rod	0269A2229701				0103A3849003	0269A2219711		
25	Drain Valve	0275A7343001							
30	Moving Contact ASM (Outer) Blade & Rod	0278B0737702		0123B1903701	0278B0737701	0278B0737715			
	Moving Contact ASM (Inner) Blade & Rod	0278B0737704		0123B1903702	0278B0737703	0278B0737716			

NI: Not illustrated in Figure #10A.



120 High Voltage Circuit Breaker Parts

Table 10D, FKA-38 – See Figure 10A on page 118

Ref. # Fig. 10A	Description	FKA Breaker Type			
		-38-22000-3	-38-22000-4	-38-22000-5	-38-22000-6
1	Breather	0182V0804001			
2	Oil Gage	0103A6105701			
NI	Oil Gage Glass	006370470020			
	Upper & Lower Oil Gage Gasket	006440357001			
3	Brown Bushing	0269A3691AAP618	0269A3691AAP604	0269A3691AAP618	0269A3691AAP640
	Gray Bushing	0269A3691AAP619	0269A3691AAP605	0269A3691AAP619	0269A3691AAP641
10	Tank Gasket	0173A9024004			
13	Bushing Gasket	0138A7102004			
14	Bushing Gasket Retainer	0399A0231001	None	0399A0231001	
17	Lift Rod Guide ASM	0809B0154701		0104D5848702	0104D5847704
19	Tank Liner	0153B5271701			
20	Interrupter	0214X0286704	Contact GESS	0214X0286704	0214X0286703
21	Lift Rod	0191B3616005	0191B3616010	0191B3616005	
22	Contact Rod	0269A2229702			
25	Drain Valve	0275A7343001			
30	Moving Contact ASM (Outer) Blade & Rod	0123B1903717	0123B1903711	0193B1903717	
	Moving Contact ASM (Inner) Blade & Rod	0123B1903718	0123B1903712	0193B1903718	

Table 10E, FKA-38 – See Figure 10A on page 118

Ref. # Fig. 10A	Description	FKA Breaker Type			
		-38-22000-3R	-38-22000-4R	-38-22000-5R	-38-22000-6R
1	Breather	0182V0804001			
2	Oil Gage	0103A6105701			
NI	Oil Gage Glass	006370470020			
	Upper & Lower Oil Gage Gasket	006440357001			
3	Brown Bushing	0269A3691AAP618	0269A3691AAP604	0269A3691AAP618	0269A3691AAP640
	Gray Bushing	0269A3691AAP619	0269A3691AAP605	0269A3691AAP619	0269A3691AAP641
10	Tank Gasket	0173A9024004			
13	Bushing Gasket	0138A7102004			
14	Bushing Gasket Retainer	0399A0231001	None	0399A0231001	
17	Lift Rod Guide ASM	0809B0154701		0104D5848702	0104D5847704
19	Tank Liner	0153B5271701			
20	Interrupter	0214X0286714	Contact GESS	0214X0286714	0214X0286730
21	Lift Rod	0191B3616005	0191B3616010	0191B3616005	
22	Contact Rod	0269A2219711			
25	Drain Valve	0275A7343001			
30	Moving Contact ASM (Outer) Blade & Rod	0123B1903719	0123B1903715	0123B1903719	
	Moving Contact ASM (Inner) Blade & Rod	0123B1903720	0123B1903716	0123B1903720	

NI: Not illustrated in Figure #10A.

For more information contact your authorized GE sales representative or GE Distributor.

Table 10F, FKA-46 – See Figure 10A on page 118

Ref. # Fig. 10A	Description	FKA Breaker Type						
		-46-1500-0	-46-1500-1	-46-1500-2	-46-500-0	-46-500-1R	-46-1500-1R	-46-1500-2R
1	Breather	0182V0804001						
2	Oil Gage	0103A6105701	0103A6105702	0103A6105701		0103A6105702		
NI	Oil Gage Glass	006370470020						
	Upper & Lower Oil Gage Gasket	006440357001						
3	Brown Bushing	0269A3691AAP609						
	Gray Bushing	0269A3691AAP610						
10	Tank Gasket	0173A9024005						
13	Bushing Gasket	0138A7102005						
14	Bushing Gasket Retainer	None						
17	Lift Rod Guide ASM	0809B0154701						
19	Tank Liner	0809B0203701						
20	Interrupter	0175L0885718	0186L0952704	0175L0885717	0186L0952708			
21	Lift Rod	0191B3615022	0191B3616002	0191B3615022	0191B3615028	0191B3616004		
22	Contact Rod	0269A2229701		0103A3849003	0269A2219711			
25	Drain Valve	0275A7343001						
30	Moving Contact ASM (Outer) Blade & Rod	0278B0737706	0123B1903703	0278B0737705	0278B0737717			
	Moving Contact ASM (Inner) Blade & Rod	0278B0737708	0123B1903704	0278B0737707	0278B0737718			

Table 10G, FKA-48.3 – See Figure 10A on page 118

Ref. # Fig. 10A	Description	FKA Breaker Type			
		-48.3-17000-3 -48.3-29000-3	-48.3-17000-4 -48.3-29000-4	-48.3-17000-5 -48.3-29000-5	-48.3-17000-6 -48.3-29000-6
1	Breather	0182V0804001			
2	Oil Gage	0103A6105701	0103A6105702	0103A6105701	
NI	Oil Gage Glass	006370470020			
	Upper & Lower Oil Gage Gasket	006440357001			
3	Brown Bushing	0269A3691087	0269A3691AAP609	0269A3691087	0269A3691088
	Gray Bushing	0269A3691AAP620	0269A3691AAP610	0269A3691AAP620	0269A3691089
10	Tank Gasket	0173A9024004	0173A9024005	0173A9024004	
13	Bushing Gasket	0138A7102004	0138A7102005	0138A7102004	
14	Bushing Gasket Retainer	0399A0231001	None	0399A0231001	
17	Lift Rod Guide ASM	0809B0154701		0104D5848702	0104D5847704
19	Tank Liner	0153B5271701	0809B0203701	0153B5271701	
20	Interrupter	0214X0286705	Contact GESS	0215X0286705	0214X0286731
21	Lift Rod	0191B3616010	0191B3616012	0191B3616010	
22	Contact Rod	0269A2229702			
25	Drain Valve	0275A73423001			
30	Moving Contact ASM (Outer) Blade & Rod	0123B1903711	0123B1903709	0123B1903711	
	Moving Contact ASM (Inner) Blade & Rod	0123B1903712	0123B1903710	0123B1903712	

NI: Not illustrated in Figure #10A.



122 High Voltage Circuit Breaker Parts

Table 10H, FKA-48.3 – See Figure 10A on page 118

Ref. # Fig. 10A	Description	FKA Breaker Type			
		-48.3-17000-3R -48.3-29000-3R	-48.3-17000-4R -48.3-29000-4R	-48.3-17000-5R -48.3-29000-5R	-48.3-17000-6R -48.3-29000-6R
1	Breather	0182V0804001			
2	Oil Gage	0103A6105701	0103A6105702	0103A6105701	
NI	Oil Gage Glass	006370470020			
	Upper & Lower Oil Gage Gasket	006440357001			
3	Brown Bushing	0269A3691087	0269A3691AAP609	0269A3691087	0269A3691088
	Gray Bushing	0269A3691AAP620	0269A3691AAP610	0269A3691AAP620	0269A3691089
10	Tank Gasket	0173A9024004	0173A9024005	0173A9024004	
13	Bushing Gasket	0138A7102004	0138A7102005	0138A7102004	
14	Bushing Gasket Retainer	0399A0231001	None	0399A0231001	
17	Lift Rod Guide ASM	0809B0154701		0104D5848702	0104D5847704
19	Tank Liner	0153B5271701	0809B0203701	0153B5271701	
20	Interrupter	0214X0286715	CONTACT GESS	0214X0286715	0214X0286732
21	Lift Rod	0191B3616010	0191B3616012	0191B3616010	
22	Contact Rod	0269A2219711			
25	Drain Valve	0275A73423001			
30	Moving Contact ASM (Outer) Blade & Rod	0123B1903715	0123B1903713	0123B1903715	
	Moving Contact ASM (Inner) Blade & Rod	0123B1903716	0123B1903714	0123B1903716	

Table 10I, FKA-69, 72.5 – See Figure 10A on page 118

Ref. # Fig. 10A	Description	FKA Breaker Type							
		-69-2500-0 -69-3500-0	-72.5-19000-1 -72.5-27000-1	-72.5-19000-2 -72.5-27000-2	-72.5-19000-3 -72.5-27000-3	-72.5-19000-1R -72.5-27000-1R	-72.5-19000-2R -72.5-27000-2R	-72.5-19000-3R -72.5-27000-3R	
1	Breather	0182V0804001							
2	Oil Gage	0103A6105702							
NI	Oil Gage Glass	00637047020							
	Upper & Lower Oil Gage Gasket	006440357001							
3	Brown Bushing	0269A3691086	0269A3691AAP621	0269A3691086	0269A3691AAP621				
	Gray Bushing	0269A3691090	0269A3691AAP622	0269A3691090	0269A3691AAP622				
10	Tank Gasket	0173A9024005							
13	Bushing Gasket	0138A7102005							
14	Bushing Gasket Retainer	None	0399A0231002						
17	Lift Rod Guide ASM	0809B0154701	0104D5848701	0104D5847703	0809B0154701	0104D5848701	0104D5847701		
19	Tank Liner	0809B0203701							
20	Interrupter	0214X0286706	0214X0286733		0214X0286716	0214X0286734			
21	Lift Rod	0191B3616002	0191B3616012	0191B3616002	0191B3616012		0191B3616002		
22	Contact Rod	0269A2229702			0269A2219711				
25	Drain Valve	0275A7343001							
30	Moving Contact ASM (Outer) Blade & Rod	0123B1903709	0123B1903721	0123B1903713	0123B1903723				
	Moving Contact ASM (Inner) Blade & Rod	0123B1903710	0123B1903722	0123B1903714	0123B1903724				

NI: Not illustrated in Figure #10A.

Further Details

Sub Transmission Circuit Breaker Catalog

SB693

Three Tank Oil Sub-transmission Breakers (14.4 to 72.5 kv)

Included in this Section

These oil-blast breakers are three separate single pole outdoor units used in sub-transmission voltage applications. These breakers were manufactured from 1950 to 1983 and used for rapid interruption of distribution circuits in the distribution voltage range of 14.4 kV to 72.5 kV (nominal) inclusive. The breaker illustrated consists of of a three pole breaker unit and an operating mechanism.

FK-14.4-1000-0 thru -3	FK-34.5-500/1000/1500-0 thru -3	FK-48.3-17000-4, 5
FK-15.5-36000-4, -5	FK-38-22000-4, -5	FK-48.3-29000/35000-1, -4, -5
FK-23-250/500-0, -1	FK-38-36000-0, -1	FK-69-1000/1500-0, -1, -2, -3
FK-23-500-2, -3	FK-46-500/1000/1500-0, -1, -2, -3	FK-72.5-19000/27000-4, -5, -6

Equipment Identification and Nomenclature Guide

When ordering parts, or requesting information, please refer to the breaker model number² and serial number¹. Both numbers can be found stamped on the nameplate located inside the mechanism door, as pictured below. The operating mechanism type³ is also stamped on the nameplate.

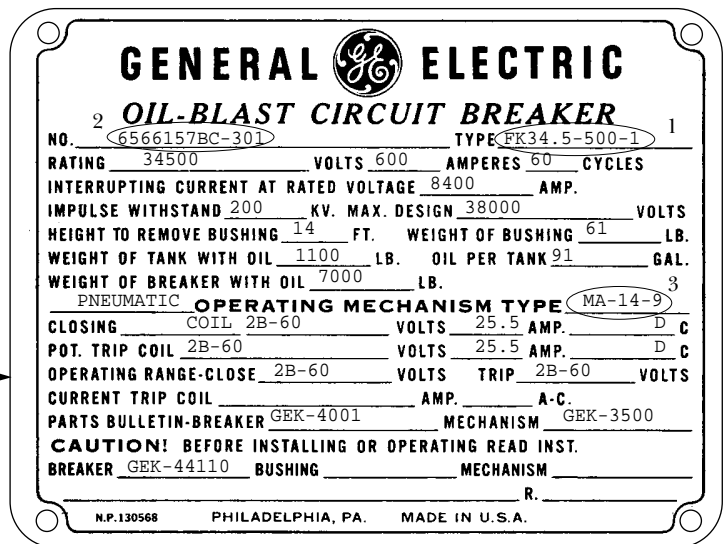
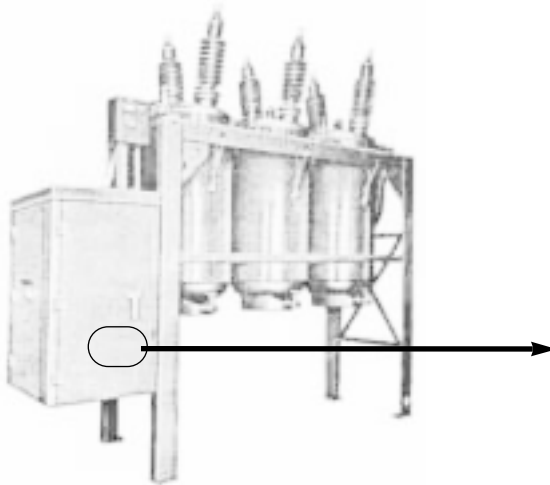
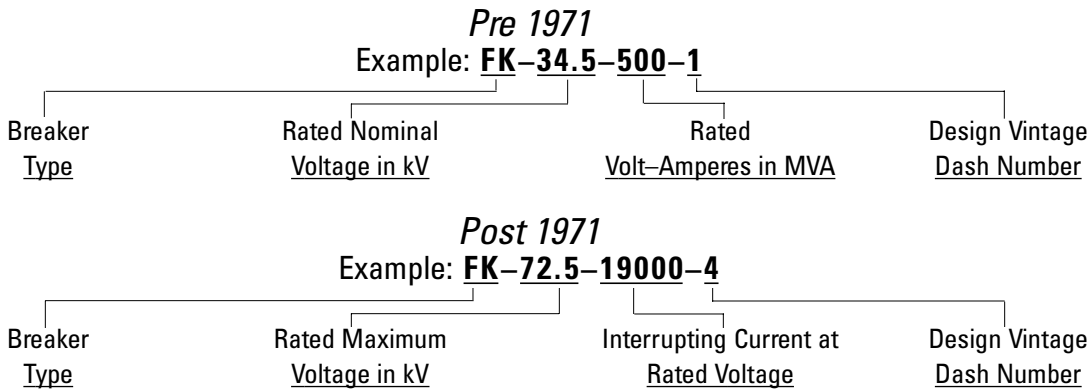


Figure 11: Three Tank Oil Sub-transmission Breaker (14.4 to 72.5 kV) Nameplate Data

High Voltage
Circuit Breaker Parts



124 High Voltage Circuit Breaker Parts

Type FK Oil Circuit Breaker Parts

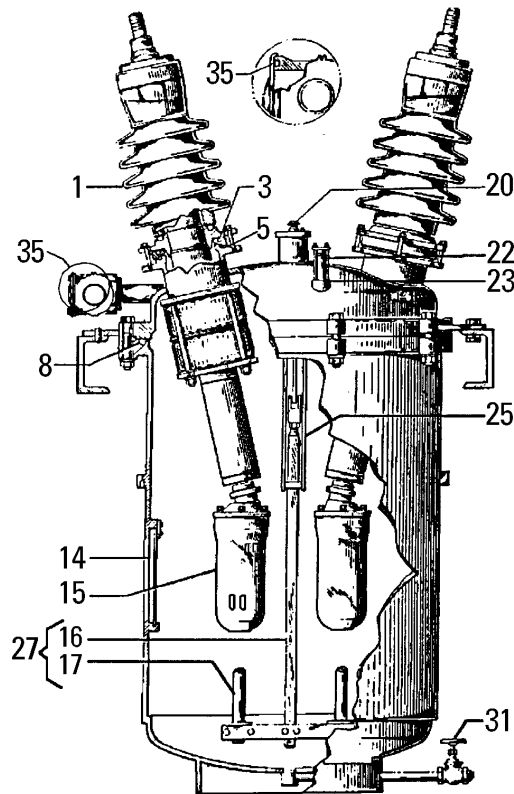


Figure 11A: FK 14.4 kV through 72.5 kV Oil Breaker (refer to Table 11A through 11I for the GE Catalog Number)

Table 11A, FK-14.4, 15.5 - See Figure 11A above

Ref. # Fig. 11A	Description	FK Breaker Type					
		-14.4-1000-0 -14.4-1000-1	-14.4-1000-2	-14.4-1000-3	-14.4-1000-3R	-15.5-36000-4 -15.5-36000-5	-15.5-36000-4R -15.5-36000-5R
1	Brown Bushing	0269A3691AAP602					
	Gray Bushing	0269A3691AAP603					
3, 5	Bushing Gasket	0177V0561015					
8	Tank Gasket	0173A9024001					
15	Interrupter	0214X0286708		0186L0952713	0186L0952717	0214X0286708	0214X0286717
17	Contact Rod & Tip	0269A2219701		0269A2229701	0269A2219711	0269A2229702	0269A2219711
22	Oil Gage Glass	006370470020					
23	Oil Gage Glass Gasket	006440357001					
25	Lift Rod Guide	0273B0220706					
16	Lift Rod	0191B3615008		0191B3613001		0191B3616006	
27	Moving Contact ASM -Blade & Rod	0278B0118706	0808B0632701	0109B1835701	0109B1835702	0123B1903733	0123B1903734
31	Drain Valve	0275A7343001					
35	Conduit Box Gasket	006445751001		0183V0396001			
20	Breather	0182V0804001					
14	Tank Liner	None			0109B1861701		

For more information contact your authorized GE sales representative or GE Distributor.

Table 11B, FK-23 – See Figure 11A on facing page 124

Ref. # Fig. 11A	Description	FK Breaker Type			
		-23-250-0 -23-250-1	-23-500-0 -23-500-1	-23-500-2	-23-500-3
1	Brown Bushing	0269A3691AAP602			
	Gray Bushing	0269A3691AAP603			
3, 5	Bushing Gasket	0177V0561015			
8	Tank Gasket	0173A9024001			
15	Interrupter	0214X0286708			0186L0952714
16	Contact Rod & Tip	0103A3849001	0269A2219701		0269A2229701
21	Oil Gage Glass	006370470020			
22	Oil Gage Glass Gasket	006440357001			
24	Lift Rod Guide	0273B0220706			
25	Lift Rod	0191B3615008			0191B3613001
27	Moving Contact ASM -Blade & Rod	0278B0118701	0278B0118706	0808B0632701	0109B1835701
31	Drain Valve	0275A7343001			
35	Conduit Box Gasket	006445751001		0183V0396001	
20	Breather	0182V0804001			
14	Tank Liner	None			0109B1861701

Table 11C, FK-34.5 – See Figure 11A on facing page 124

Ref. # Fig. 11A	Description	FK Breaker Type					
		-34.5-1000-0, -1 -34.5-1500-0, -1	-34.5-500-3 -34.5-1000-2 -34.5-1500-2	-34.5-1000-3 -34.5-1500-3	-34.5-500-0, -1	-34.5-500-2	-34.5-500-3R -34.5-1000-3R -34.5-1500-3R
1	Brown Bushing	0269A3691AAP604					
	Gray Bushing	0269A3691AAP605					
3, 5	Bushing Gasket	0177V0561015					
8	Tank Gasket	0173A9024001					
15	Interrupter	0214X0286708	0186L0952714		0214X0286708	0186L0952719	
17	Contact Rod & Tip	0269A2219701	0269A2229701		0103A3849001	0269A2219711	
22	Oil Gage Glass	006370470020					
23	Oil Gage Glass Gasket	006440357001					
25	Lift Rod Guide	0273B0220706					
16	Lift Rod	0191B3615009	0191B3615001	0191B3615009		0191B3613002	
27	Moving Contact ASM -Blade & Rod	0278B0118707	0808B0632709	0109B1835703	0278B0118702	0808B0632702	0109B1835704
31	Drain Valve	0275A7343001					
35	Conduit Box Gasket	006445751001	0183V0396001		006445751001	0183V0396001	
20	Breather	0182V0804001					
14	Tank Liner	None		0109B1861701	None		0109B1861701

High Voltage
Circuit Breaker Parts



126 High Voltage Circuit Breaker Parts

Table 11D, FK-38-See Figure 11A on page 124

Ref. # Fig. 11A	Description	FK Breaker Type			
		-38-22000-4 -38-22000-5	-38-22000-4R -38-22000-5R	-38-36000-0, -1	-38-36000-0R, -1R
1	Brown Bushing	0269A3691AAP604		0269A3691AAP607	
	Gray Bushing	0269A3691AAP605		0269A3691AAP608	
3, 5	Bushing Gasket	0177V0561015		0177V0561021	
8	Tank Gasket	0173A9024001		0173A9024003	
15	Interrupter	0214X0286708	0214X0286718	0214X0286711	0214X0286725
17	Contact Rod & Tip	0269A2229702	0269A2219711	0269A2219714	
22	Oil Gage Glass	006370470020		006370470020	
23	Oil Gage Glass Gasket	006440357001		006440357001	
25	Lift Rod Guide	0273B0220706		0273B0220707	
16	Lift Rod	0191B3616007		0188B9285004	
27	Moving Contact ASM -Blade & Rod	0123B1903735	0123B1903736	0153B5209701	
31	Drain Valve	0275A7343001		0275A7343001	
35	Conduit Box Gasket	0183V0396001		0183V0396001	
20	Breather	0182V0804001		0182V0804001	
14	Tank Liner	0109B1861701		0109B2119703	

Table 11E, FK-46-See Figure 11A on page 124

Ref. # Fig. 11A	Description	FK Breaker Type					
		-46-500-0, -1	-46-500-2	-46-1500-0, -1	-46-1500-2	-46-500-3 -46-1500-3	-46-500-3R -46-1000-3R -46-1500-3R
1	Brown Bushing	0269A3691AAP609					
	Gray Bushing	0269A3691AAP610					
3, 5	Bushing Gasket	0177V0561016					
8	Tank Gasket	0173A9024002					
15	Interrupter	0175L0995724			0186L0952715	0186L0952720	
17	Contact Rod & Tip	006445498001	0138A8713701		0269A2229701	0269A2219711	
22	Oil Gage Glass	006370470020					
23	Oil Gage Glass Gasket	006440357001					
25	Lift Rod Guide	0273B0220705					
16	Lift Rod	0191B3615010			0191B3613003	0191B3613004	
27	Moving Contact ASM -Blade & Rod	0278B0118703	0808B0632706	0278B0118704	0808B0632707	0109B1835705	0109B1835706
31	Drain Valve	0275A7343001					
35	Conduit Box Gasket	006445751001	0183V0396001	006445751001	0183V0396001		
20	Breather	0182V0804001					
14	Tank Liner	NONE			0109B1861702		

For more information contact your authorized GE sales representative or GE Distributor.

Table 11F, FK-48.3-See Figure 11A on page 124

Ref. # Fig. 11A	Description	FK Breaker Type			
		-48.3-17000-4, -5 -48.3-29000-4, -5	-48.3-17000-4R, -5R -48.3-29000-4R, -5R	-48.3-29000-0, -1 -48.3-35000-0, -1	-48.3-29000-0R, -1R -48.3-35000-0R, -1R
1	Brown Bushing	0269A3691AAP609		0269A3691457	
	Gray Bushing	0269A3691AAP610		0269A3691458	
3, 5	Bushing Gasket	0177V0561016		0177V0561021	
8	Tank Gasket	0173A9024002		0173A9024003	
15	Interrupter	0214X0286709	0214X0286719	0214X0286711	0214X0286727
17	Contact Rod & Tip	0269A2229702	0269A2219711	0269A2219714	
22	Oil Gage Glass	006370470020			
23	Oil Gage Glass Gasket	006440357001			
25	Lift Rod Guide	0273B0220705		0273B0220707	
16	Lift Rod	0191B3616008		0188B9285004	
27	Moving Contact ASM -Blade & Rod	0123B1903737	0123B1903738	0153B5209701	
31	Drain Valve	0275A7343001			
35	Conduit Box Gasket	0183V0396001			
20	Breather	0182V0804001			
14	Tank Liner	0109B1861702		0109B2119703	

Table 11G, FK-69-See Figure 11A on page 124

Ref. # Fig. 11A	Description	FK Breaker Type			
		-69-1000-0, -1, -2 -69-1500-0, -1, -2 -69-2500-0, -1, -2	-69-1000-3, -4	-69-1500-3, -4 -69-2500-3, -4	-69-1000-5
1	Brown Bushing	0269A3691AAP615			
	Gray Bushing	0269A3691AAP616			
3, 5	Bushing Gasket	0177V0561017			
8	Tank Gasket	0173A9024003			
15	Interrupter	0175L0995722			0175L0995723
17	Contact Rod & Tip	0138A8713701	006445498001	0138A8713701	006445498001
22	Oil Gage Glass	006370470020			
23	Oil Gage Glass Gasket	006440357001			
25	Lift Rod Guide	0273B0220704			
16	Lift Rod	0191B3615011			
27	Moving Contact ASM -Blade & Rod	0278B0118705	0808B0632710	0808B0632708	
31	Drain Valve	0275A7343001			
35	Conduit Box Gasket	006445751001	0183V0396001		
20	Breather	0182V0804001			
14	Tank Liner	NONE			

High Voltage
Circuit Breaker Parts



128 High Voltage Circuit Breaker Parts

Table 11H, FK-69-See Figure 11A on page 124

Ref. # Fig. 11A	Description	FK Breaker Type			
		-69-1500-5 -69-2500-5, -6	-69-3500-0	-69-3500-6	-69-3500-7, -8
1	Brown Bushing	0269A3691AAP615	0269A3691AAP614	0269A3691AAP615	
	Gray Bushing	0269A3691AAP616	Contact GESS	0269A3691AAP616	
3, 5	Bushing Gasket	0177V0561017	0174V0296001	0177V0561017	
8	Tank Gasket	0173A9024003	006200574011	0173A9024003	
15	Interrupter	0175L0995722	0175L0523703	0186L969702	0186L0969703
17	Contact Rod & Tip	0138A8713701	0269A2219702	0269A2219703	0269A2219713
22	Oil Gage Glass	006370470020			
23	Oil Gage Glass Gasket	006440357001			
25	Lift Rod Guide	0273B0220704	0389A0536701	0273B0220704	
16	Lift Rod	0191B3615011	0389A0692007	0191B3613007	0191B3613010
27	Moving Contact ASM -Blade & Rod	0808B0632708	0175L0560705	0109B1890702	0109B1890704
31	Drain Valve	0275A7343001			
35	Conduit Box Gasket	0183V0396001	None	0183V0396001	
20	Breather	0182V0804001			
14	Tank Liner	None	0397A0475701	0109B2119004	

Table 11I, FK-72.5-See Figure 11A on page 124

Ref. # Fig. 11A	Description	FK Breaker Type			
		-72.5-19000-3, -4 -72.5-27000-3, -4 -72.5-38000-3, -4	-72.5-19000-3R, -4R -72.5-27000-3R, -4R -72.5-38000-3R, -4R	-72.5-19000-7, -8 -72.5-27000-9, -10	-72.5-19000-7R, -8R -72.5-27000-9R, -10R
1	Brown Bushing	0269A3691107		0269A3691AAP615	
	Gray Bushing	0269A3691108		0269A3691AAP616	
3, 5	Bushing Gasket	0177V0561021		0177V0561017	
8	Tank Gasket	0173A9024003			
15	Interrupter	0214X0286711	0214X0286723	0214X0286710	0214X0286722
17	Contact Rod & Tip	0269A2219714		0269A2229702	0269A2219711
22	Oil Gage Glass	006370470020			
23	Oil Gage Glass Gasket	006440357001			
25	Lift Rod Guide	0273B0220707		0273B0220704	
16	Lift Rod	0188B9285004		0191B3616009	
27	Moving Contact ASM -Blade & Rod	0153B5209701		0123B1903739	0123B1903740
31	Drain Valve	0275A7343001			
35	Conduit Box Gasket	0183V0396001			
20	Breather	0182V0804001			
14	Tank Liner	0109B2119703		0109B2119702	

Further Details

Sub Transmission Circuit Breaker Catalog

SB693

Three Tank Oil Transmission Breakers (115 to 242 kv)

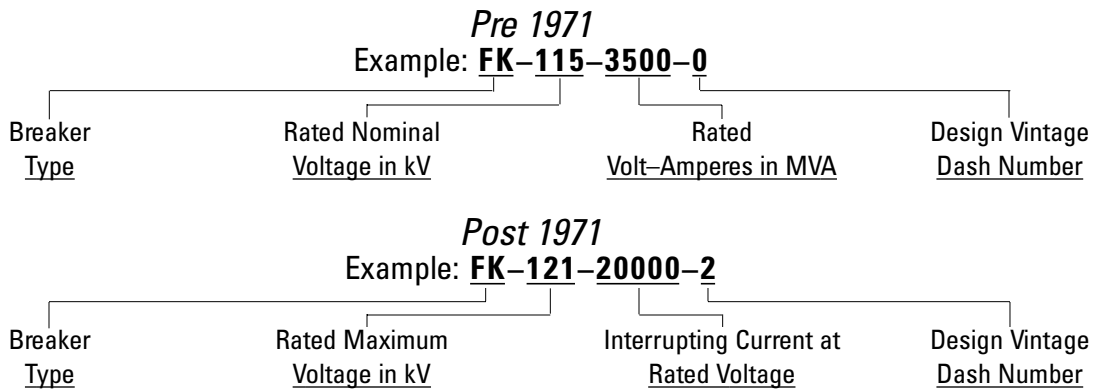
Included in this Section

These oil-blast breakers are three separate single pole outdoor units used in sub-transmission voltage applications. These breakers were manufactured from 1950 to 1983 and used for rapid interruption of distribution circuits in the distribution voltage range of 115 kV to 242 kV (nominal) inclusive. The breaker illustrated consists of of a three pole breaker unit and an operating mechanism.

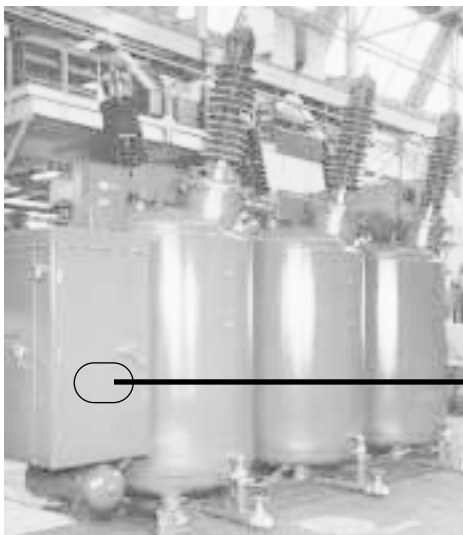
FK-115-3500/5000-0, -1, -2	FK-138-10000-3, -4	FK-242-31500/40000-0
FK-115-10000-0, -1, -2	FK-145-18000/37000-1 thru -7	FK-242-50000/63000-0
FK-121-22000/43000-1, -2, -3	FK-161-3500/5000-0, -1	FK-138-3500/5000-0, -1, -2
FK-169-16000/31000/50000-1, -2, -3		

Equipment Identification and Nomenclature Guide

When ordering parts, or requesting information, please refer to the breaker model number² and serial number¹. Both numbers can be found stamped on the nameplate located inside the mechanism door, as pictured below. The operating mechanism type³ is also stamped on the nameplate.



High Voltage Circuit Breaker Parts



GENERAL ELECTRIC

OIL BLAST CIRCUIT BREAKER

2 1

S/N (0202A9486-801 (802) TYPE FK-121-20000-2)

RATING 12000	MAX-VOLTS 1200	CONT. AMPS 60	CYCLES
IMPULSE WITHSTAND 550	KV RATED VOLT. RANGE FACTOR "K" 1.0		
RATED SYM. SHORT CIRCUIT CURRENT AT RATED MAX. VOLTS 20,000	AMPS		
RATED INTERRUPTING TIME 3	CYCLES		
HEIGHT TO REMOVE BUSH'G 17	FT.	WEIGHT OF BUSH'G 375	LBS.
WEIGHT OF TANK WITH OIL	LBS.	OIL PER TANK 580	GAL'S
WEIGHT OF BREAKER WITH OIL 25,200	LBS.		
PNEUMATIC OPERATING MECHANISM TYPE (MA-13-6A)			
CLOS. CONTROL VALVE COIL 366A701G10	NO. 1 90	TO 130	Vp 5.4
	NO. 2	TO	V C
	NO. 3	TO	V C
AUXILIARY VALVE COIL		TO	V C
POTENTIAL TRIP COIL (2)132A1165P67	70	TO 140	VDC 12.0
EXCITING COIL		TO	V C
OPER'G AIR PRESSURE	NORMAL 140 ± 3	PSIG	MIN. 90 ± 3
COMP. GOVERNOR SW.	CLOS. PRESS. 125 ± 3	PSIG	OPEN 140 ± 3
LOW PRESS. ALARM SW.	CLOS. PRESS. 100 ± 4	PSIG	OPEN 111 ± 6
LOW PRESS. LOCKOUT SW.	CLOS. PRESS. 100 ± 5	PSIG	OPEN 90 ± 3
PARTS BULLETIN - BREAKER GEK-39615	MECHANISM GEK-39634		
CAUTION: OPERATING READ INST. WIRING DIAGRAM NO. 0172C6960P12			
BREAKER GEK-39711	BUSHING	MECHANISM	
		YEAR MFD.	
PHILADELPHIA, PA.		MADE IN U.S.A.	
N.P. 0193A2917			

Figure 12: Three Tank Oil Sub-transmission Breaker (115 to 242 kv) Nameplate Data



Type FK Oil Circuit Breaker Parts

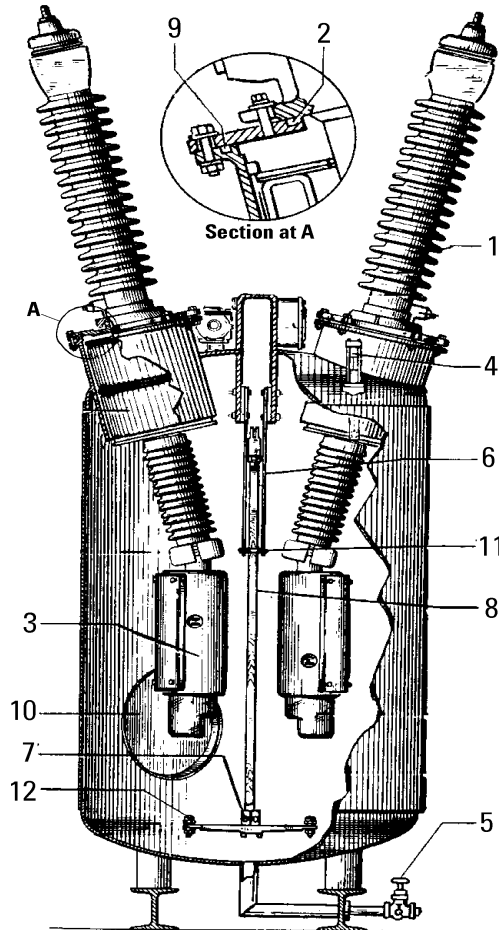


Figure 12A: FK 115 kV through 242 kV Oil Breaker (refer to Table 12A through 12I for the GE Catalog Number)

Table 12A, FK 115 Oil Breaker –See Figure 12A above

Ref. # Fig. 12A	Description	FK Breaker Type					
		FK-115-3500-0 1200 Amps	FK-115-3500-1 1200 Amps	FK-115-3500-2 1200 Amps	FK-115-5000-0 1200 Amps	FK-115-5000-1 1200 Amps	FK-115-5000-2 1200 Amps
	Breaker Instructions	GEI-72603					
1	Brown Bushing	0269A3691AAP369					
	Grey Bushing	0269A3691AAP370					
2	Bushing Gasket	0182V0937001					
3	Interrupter	0103L0117701					
4	Oil Gage	0809B0181701					
5	Drain Valve	0368A0827003					
6	Lift Rod Guide	006509333711					
7	Moving Contact Asm	0286B0843701					
8	Lift Rod	0269A2174001					
9	Adapter Gasket	0182V0937005					
10	Manhole Gasket	0173A9024001					
11	Guide Block	006318391001					
12	Contact Tip	006440364001					

For more information contact your authorized GE sales representative or GE Distributor.

Table 12B, FK 115, 121 Oil Breaker –See Figure 12A on page 130

Ref. # Fig. 12A	Description	FK Breaker Type					
		FK-115-10000-0 1600 Amps	FK-115-10000-0 2000 Amps	FK-115-10000-1 1600 Amps	FK-115-10000-2 1600 Amps	FK-121-20000-2 1200 Amps	FK-121-20000-3 1200 Amps
	Breaker Instructions	GEI-57109	GEI-72650	GEI-72650		GEK-39615	GEK-39679
1	Brown Bushing	0269A3691AAP369	0269A3691308	0269A3691AAP369			
	Grey Bushing	0269A3691AAP370	Contact GESS	0269A3691AAP370			
2	Bushing Gasket	0182V0937001	0182V0937002	0182V0937001			
3	Interrupter	0175L0873706	0214X0236701	0175L0873706		0103L0117701	0103L0117706
4	Oil Gage	0175L0857706	0809B0181701				0263X0257701
5	Drain Valve	0368A0827003					0123BB2600731
6	Lift Rod Guide	0273B0212703	0181L0311701			006509333711	0153B9249705
7	Moving Contact Asm	0178L0218703	0178L0218708	0178L0218703		0286B0843701	0286B0843705
8	Lift Rod	0103A5025002				0269A2174001	
9	Adapter Gasket	NONE	0182V0937004			0182V0937005	NONE
10	Manhole Gasket	006002139034	0173A9024001				0173A9024008
11	Guide Block	NONE	0384A0378002			006318391001	006318391003
12	Contact Tip	0455A0348001	0455A0348003	0455A0348001		006440364001	

Table 12C, FK 121 Oil Breaker –See Figure 12A on page 130

Ref. # Fig. 12A	Description	FK Breaker Type					
		FK-121-22000-2 1200 Amps	FK-121-22000-3 1200 Amps	FK-121-40000-0 2500 Amps	FK-121-40000-0 3000 Amps	FK-121-40000-0M 2500 Amps	FK-121-40000-0M 3000 Amps
	Breaker Instructions	GEI-72603		GEK-39616		GEK-39614	
1	Brown Bushing	0269A3691AAP369		Contact GESS			
	Grey Bushing	0269A3691AAP370		Contact GESS			
2	Bushing Gasket	0182V0937001					
3	Interrupter	0103L0117701		0214X0867708	0214X0867709	0214X0867708	0214X0867709
4	Oil Gage	0809B0181701		0809B0181705			
5	Drain Valve	0368A0827003					
6	Lift Rod Guide	006509333711		0153B9249701			
7	Moving Contact Asm	0286B0843701		0153B6709702			
8	Lift Rod	0269A2174001		0188B9283003			
9	Adapter Gasket	0182V0937005					
10	Manhole Gasket	0173A9024001					
11	Guide Block	006318391001		0384A0378002			
12	Contact Tip	006440364001		0124C3211002			

High Voltage
Circuit Breaker Parts



132 High Voltage Circuit Breaker Parts

Table 12D, FK 121 Oil Breaker –See Figure 12A on page 130

Ref. # Fig. 12A	Description	FK Breaker Type				
		FK-121-40000-1 3000 Amps	FK-121-40000-4M 2000 Amps	FK-121-40000-5 2000 Amps	FK-121-40000-5M 1600 Amps	FK-121-40000-6 1600 Amps
	Breaker Instructions	GEK-39680	GEK-39614	GEK-39616	GEK-39614	GEK-39616
1	Brown Bushing	Contact GESS	0269A3691AAP384		0269A3691AAP369	
	Grey Bushing	Contact GESS	0269A3691AAP385		0269A3691AAP370	
2	Bushing Gasket	0182V0937001				
3	Interrupter	0214X0867714	0214X0867704			
4	Oil Gage	0263X0257701	0809B0181705			
5	Drain Valve	0123BB2600731	0368A0827003			
6	Lift Rod Guide	0153B9249703	0153B9249701			
7	Moving Contact Asm	0153B6709713	0153B6709702			
8	Lift Rod	0188B9283008	0188B9283003			
9	Adapter Gasket	None	0182V0937005			
10	Manhole Gasket	0173A9024008	0113A9024001			
11	Guide Block	0384A0378002				
12	Contact Tip	0124C3211002				

Table 12E, FK 115 through 242 Oil Breaker –See Figure 12A on page 130

Ref. # Fig. 12A	Description	FK Breaker Type					
		FK-121-40000-6 2000 Amps	FK-121-40000-7 1600 Amps	FK-121-43000-1 2000 Amps	FK-121-43000-2 2000 Amps	FK-121-43000-3 1600 Amps	FK-121-43000-3 2000 Amps
	Breaker Instructions	GEK-39680		GEK-7138			GEK-19763
1	Brown Bushing	0269A3691AAP384	0269A3691AAP369	0269A3691308	0269A3691AAP384	0269A3691AAP369	0269A3691AAP384
	Grey Bushing	0269A3691AAP385	0269A3691AAP370	Contact GESS	0269A3691AAP385	0269A3691AAP370	0269A3691AAP385
2	Bushing Gasket	0182V0937001		0182V0937003	0182V0937001		
3	Interrupter	0214X0867713		0214X0236702		0175L0873707	0214X0867704
4	Oil Gage	0263X0257701		0809B0181701			0809B0181705
5	Drain Valve	0123B2600731		0368A0827003			
6	Lift Rod Guide	0153B9249703		0181L0311701			0153B9249701
7	Moving Contact Asm	0153B6709709		0178L0218713		0178L0218711	0153B6709702
8	Lift Rod	0188B9283007		0103A5025011		0188B9283003	
9	Adapter Gasket	None		0182V0937005			
10	Manhole Gasket	0173A9024008		0173A9024001			
11	Guide Block	0384A0378002					
12	Contact Tip	0124C3211002		0455A0348003		0455A0348001	0124C3211002

For more information contact your authorized GE sales representative or GE Distributor.

Table 12F, FK 121 Oil Breaker –See Figure 12A on page 130

Ref. # Fig. 12A	Description	FK Breaker Type					
		FK-121-43000-4 1600 Amps	FK-121-43000-4 2000 Amps	FK-121-43000-5 1600 Amps	FK-121-63000-0 1600 Amps	FK-121-63000-0 2000 Amps	FK-121-63000-0 2500 Amps
	Breaker Instructions	GEK-19763			GEK-39614		
1	Brown Bushing	0269A3691AAP369	0269A3691AAP384	0269A3691AAP369	0269A3691AAP371		Contact GESS
	Grey Bushing	0269A3691AAP370	0269A3691AAP385	0269A3691AAP370	Contact GESS		
2	Bushing Gasket	01 82V0937001					
3	Interrupter	0214X0867704			0214X0867708		
4	Oil Gage	0809B0181705					
5	Drain Valve	0368A0827003					
6	Lift Rod Guide	0153B9249701					
7	Moving Contact Asm	0153B6709702					
8	Lift Rod	0188B9283003					
9	Adapter Gasket	0182V0937005					
10	Manhole Gasket	0173A9024001					
11	Guide Block	0384A0378002					
12	Contact Tip	0124C3211002					

Table 12G, FK 121, 138 Oil Breaker –See Figure 12A on page 130

Ref. # Fig. 12A	Description	FK Breaker Type					
		FK-121-63000-0 3000 Amps	FK-121-63000-1 2000 Amps	FK-121-63000-1 3000 Amps	FK-121-65000-0 2000 Amps	FK-138-3500-0 1200 Amps	FK-138-3500-1 1200 Amps
	Breaker Instructions	GEK-39614	GEK-39680		GEK-19763	GEI-72603	
1	Brown Bushing	Contact GESS			0269A3691AAP371	0269A3691AAP375	
	Grey Bushing	Contact GESS	0269A3691AAP364	0269A3691AAP365	Contact GESS	0269A3691AAP376	
2	Bushing Gasket	0182V0937001				0182V0937002	
3	Interrupter	0214X0867709		0214X0867715	0214X0867108	0103L0117701	
4	Oil Gage	0809B0181705	0263X0257101		0809B0181705	0809B0181701	
5	Drain Valve	0368A0827003	0123B2600731			0368A0827003	
6	Lift Rod Guide	0153B9249701	0153B9249703		0153B9249701	006509333712	
7	Moving Contact Asm	0153B6709702	0153B6709710			0286B0843702	
8	Lift Rod	0188B9283003	0188B9283008		0188B9283003	0454A0829002	
9	Adapter Gasket	0182V0937005	None			0182V0937005	
10	Manhole Gasket	0173A9024001	0173A9024008			0173A9024001	
11	Guide Block	0384A0378002				006318391001	
12	Contact Tip	0124C3211002				006440364001	

High Voltage
Circuit Breaker Parts



134 High Voltage Circuit Breaker Parts

Table 12H, FK 138 Oil Breaker –See Figure 12A on page 130

Ref. # Fig. 12A	Description	FK Breaker Type					
		FK-138-3500-2 1200 Amps	FK-138-5000-0 1200 Amps	FK-138-5000-1 1200 Amps	FK-138-5000-2 1200 Amps	FK-138-10000-0 1600 Amps	FK-138-10000-1 1600 Amps
	Breaker Instructions	GEI-72603				GEG-8945	
1	Brown Bushing	0269A3691AAP375					
	Grey Bushing	0269A3691AAP376					
2	Bushing Gasket	0182V0937002					
3	Interrupter	0103L0117701				0175L0873706	
4	Oil Gage	0809B0181701				0175L0857727	
5	Drain Valve	0368A0827003					
6	Lift Rod Guide	006509333712				0181L0311701	
7	Moving Contact Asm	0286B0843702				0178L0218701	
8	Lift Rod	0454A0829002				0372A0734026	
9	Adapter Gasket	0182V0937005				None	
10	Manhole Gasket	0173A9024001				006002139034	
11	Guide Block	006318391001				0384A0378002	
12	Contact Tip	006440364001				0455A0348001	

Table 12I, FK 138, 145 Oil Breaker –See Figure 12A on page 130

Ref. # Fig. 12A	Description	FK Breaker Type						
		FK-138-10000-2 1600 Amps	FK-138-10000-3 1600 Amps	FK-138-10000-4 1600 Amps	FK-145-18000-2 1200 Amps	FK-145-18000-3 1200 Amps	FK-145-20000-2 1200 Amps	
	Breaker Instructions	GEI-57109	GEI-72650			GEI-72603		GEK-39615
1	Brown Bushing	0269A3691AAP375						
	Grey Bushing	0269A3691AAP376						
2	Bushing Gasket	0182V0937002						
3	Interrupter	0175L0873706				0103L0117701		
4	Oil Gage	0175L0857727	0809B0181701					
5	Drain Valve	0368A0827003						
6	Lift Rod Guide	0181L0311701				006509333712		
7	Moving Contact Asm	0178L0218701	0178L0218702			0286B0843702		
8	Lift Rod	0372A0734026				0454A0829002		
9	Adapter Gasket	NONE	0182V0937004			0182V0937005		
10	Manhole Gasket	006002139034	0173A9024001					
11	Guide Block	0384A0378002				006318391001		
12	Contact Tip	0455A0348001				006440364001		

For more information contact your authorized GE sales representative or GE Distributor.

Table 12J, FK 145 Oil Breaker – See Figure 12A on page 130

Ref. # Fig. 12A	Description	FK Breaker Type					
		FK-145-20000-3 1200 Amps	FK-145-37000-0 2000 Amps	FK-145-37000-1 2000 Amps	FK-145-37000-2 2000 Amps	FK-145-37000-5 1600 Amps	FK-145-37000-6 1600 Amps
	Breaker Instructions	GEK-39679	GEK-7138	GEK-19763		GEK-7138	GEK-19763
1	Brown Bushing	0269A3691248	Contact GESS	0269A3691AAP388		0269A3691AAP375	
	Grey Bushing	0269A3691AAP374	Contact GESS		0269A3691AAP376		
2	Bushing Gasket	0182V0937001	0182V0937003	0182V0937002			
3	Interrupter	0103L0117706	0214X0236702	0214X0867704		0175L0873707	0214X0867704
4	Oil Gage	0263X0257701	0809B0181705		0809B0181701	0809B0181705	
5	Drain Valve	0123B2600731	0368A0827003				
6	Lift Rod Guide	0153B9249706	0181L0311701	0153B9249701		0181L0311701	0153B9249701
7	Moving Contact Asm	0286B0843706	0178L0218712	0153B6709701		0178L0218710	0153B6709701
8	Lift Rod	0269A2174002	0103A5025010	0188B9283001		0103A5025010	0188B9283001
9	Adapter Gasket	None	0182V0937005				
10	Manhole Gasket	0173A9024008	0173A9024001				
11	Guide Block	006318391003	0384A0378002				
12	Contact Tip	006440364001	0455A0348003	0124C3211002		0455A0348001	0124C3211002

Table 12K, FK 145 Oil Breaker – See Figure 12A on page 130

Ref. # Fig. 12A	Description	FK Breaker Type					
		FK-145-37000-7 1600 Amps	FK-145-40000-0 2500 Amps	FK-145-40000-0 3000 Amps	FK-145-40000-0M 2500 Amps	FK-145-40000-0M 3000 Amps	FK-145-40000-1 3000 Amps
	Breaker Instructions	GEK-19763	GEK-39616		GEK-39614		GEK-39680
1	Brown Bushing	0269A3691AAP375	Contact GESS				
	Grey Bushing	0269A3691AAP376	Contact GESS				
2	Bushing Gasket	0182V0937002					0182V0937001
3	Interrupter	0214X0867704	0214X0867708	0214X0867709	0214X0867708	0214X0867709	0214X0867714
4	Oil Gage	0809B0181705					0263X0257701
5	Drain Valve	0368A0827003					0123B2600731
6	Lift Rod Guide	0153B9249701					0153B9249703
7	Moving Contact Asm	0153B6709701					0153B6709714
8	Lift Rod	0188B9283001					0188B9283006
9	Adapter Gasket	0182V0937005					NONE
10	Manhole Gasket	0173A9024001					0173A9024008
11	Guide Block	0384A0378002					
12	Contact Tip	01 24C3211002					

High Voltage
Circuit Breaker Parts



136 High Voltage Circuit Breaker Parts

Table 12L, FK 145 –See Figure 12A on page 130

Ref. # Fig. 12A	Description	FK Breaker Type				
		FK-145-40000-2M 2000 Amps	FK-145-40000-3 2000 Amps	FK-145-40000-4 2000 Amps	FK-145-40000-7M 1600 Amps	FK-145-40000-8 1600 Amps
	Breaker Instructions	GEK-39614	GEK-39616	GEK-39680	GEK-39614	GEK-39616
1	Brown Bushing	0269A3691AAP388		Contact GESS	0269A3691AAP375	
	Grey Bushing	Contact GESS		0269A3691AAP373	0269A3691AAP376	
2	Bushing Gasket	0182V0937002		0182V0937001	0182V0937002	
3	Interrupter	0214X0867704		0214X0867713	0214X0867704	
4	Oil Gage	0809B0181705		0263X0257701	0809B0181705	
5	Drain Valve	0368A0827003		0123B2600731	0368A0827003	
6	Lift Rod Guide	0153B9249701		0153B9249703	0153B9249701	
7	Moving Contact Asm	0153B6709701		0153B6709711	0153B6709701	
8	Lift Rod	0188B9283001				
9	Adapter Gasket	0182V0937005		NONE	0182V0937005	
10	Manhole Gasket	0173A9024001		0173A9024008	0173A9024001	
11	Guide Block	0384A0378002				
12	Contact Tip	0124C3211002				

Table 12M, FK 145 Oil Breaker –See Figure 12A on page 130

Ref. # Fig. 12A	Description	FK Breaker Type				
		FK-145-40000-9 1600 Amps	FK-145-55000-0 2000 Amps	FK-145-55000-0 2500 Amps	FK-145-63000-0 1600 Amps	FK-145-63000-0 2000 Amps
	Breaker Instructions	GEK-39680	GEK-19763		GEK-39614	
1	Brown Bushing	0269A3691486		Contact GESS	0269A3691486	
	Grey Bushing	0269A3691AAP374	Contact GESS			
2	Bushing Gasket	0182V0937001			0182V0937002	
3	Interrupter	0214X0867713			0214X0867708	
4	Oil Gage	0263X0257701			0809B0181705	
5	Drain Valve	0123B2600731			0368A0827003	
6	Lift Rod Guide	0153B9249703			0153B9249701	
7	Moving Contact Asm	0153B6709711			0153B6709701	
8	Lift Rod	0188B9283001				
9	Adapter Gasket	None			0182V0937005	
10	Manhole Gasket	0173A9024008				
11	Guide Block	0384A0378002				
12	Contact Tip	0124C3211002				

For more information contact your authorized GE sales representative or GE Distributor.

Table 12N, FK 145, 161 Oil Breaker –See Figure 12A on page 130

Ref. # Fig. 12A	Description	FK Breaker Type					
		FK-145-63000-0 3000 Amps	FK-145-63000-1 2000 Amps	FK-145-63000-1 3000 Amps	FK-161-3500-0 1200 Amps	FK-161-5000-0 1200 Amps	FK-161-5000-1 1200 Amps
	Breaker Instructions	GEK-39614	GEK-39680			GEI-88127	
1	Brown Bushing	Contact GESS			0269A3691256		
	Grey Bushing	Contact GESS	0269A3691226	0269A3691201	0269A3691257		
2	Bushing Gasket	0182V0937002	0182V0937001			0182V0937003	
3	Interrupter	0214X0867709		0214X0867715		0103L0117702	
4	Oil Gage	0809B0181705	0263X0257701			0809B0181702	
5	Drain Valve	0368A0827003	0123B2600731			0368A0827003	
6	Lift Rod Guide	0153B9249701	0153B9249703			006509333713	
7	Moving Contact Asm	0153B6709701	0153B6709708			0286B0843703	
8	Lift Rod	0188B9283001	0188B9283006			0454A0829003	
9	Adapter Gasket	0182V0937005	None			0182V0937004	
10	Manhole Gasket	0173A9024001	0173A9024008			0173A9024001	
11	Guide Block	0384A0378002			006318391001		
12	Contact Tip	0124C3211002			006440364001		

Table 12O, FK 161, 169 –See Figure 12A on page 130

Ref. # Fig. 12A	Description	FK Breaker Type					
		FK-161-10000-0 1600 Amps	FK-161-10000-0 2000 Amps	FK-161-10000-1 1600 Amps	FK-161-10000-1 2000 Amps	FK-169-16000-1 1200 Amps	FK-169-16000-2 1200 Amps
	Breaker Instructions	GEI-72650				GEI-88127	GEK-39679
1	Brown Bushing	0269A3691256	Contact GESS	0269A3691256	Contact GESS	0269A3691256	
	Grey Bushing	0269A3691257	Contact GESS	0269A3691257	Contact GESS	0269A3691257	
2	Bushing Gasket	0182V0937003					
3	Interrupter	0175L0873706	0214X0236701	0175L0873706	0214X0236701	0103L0117702	
4	Oil Gage	0809B0181701				0809B0181702	
5	Drain Valve	0368A0827003				0368A0827003	
6	Lift Rod Guide	0181L0311701				006509333713	
7	Moving Contact Asm	0178L0218702	0178L0218707	0178L0218702	0178L0218707	0286B0843703	
8	Lift Rod	0372A0734026				0454A0829003	
9	Adapter Gasket	0182V0937004					
10	Manhole Gasket	0173A9024001					
11	Guide Block	0384A0378002				006318391001	
12	Contact Tip	0455A0348001	0455A0348003	0455A0348001	0455A0348003	006440364001	006440364001

High Voltage
Circuit Breaker Parts



138 High Voltage Circuit Breaker Parts

Table 12P, FK 169 Oil Breaker –See Figure 12A on page 130

Ref. # Fig. 12A	Description	FK Breaker Type					
		FK-169-16000-3 1200 Amps	FK-169-31000-2 1600 Amps	FK-169-31000-2 2000 Amps	FK-169-31000-3 1600 Amps	FK-169-31000-3 2000 Amps	FK-169-315000-0 25000 Amps
	Breaker Instructions	GEK-39679		GEK-19763			GEK-39616
1	Brown Bushing	Contact GESS	0269A3691256	0269A3691AAP387	0269A3691256	0269A3691AAP387	0269A3691AAP379
	Grey Bushing	0269A3691AAP362	0269A3691257	Contact GESS	0269A3691257	Contact GESS	0269A3691AAP380
2	Bushing Gasket	0182V0937003					
3	Interrupter	0103L0117707	0214X0867706				0214X0867710
4	Oil Gage	0263X0257701	0809B0181704				
5	Drain Valve	0123BB2600731	0368A0827003				
6	Lift Rod Guide	0153B9249707	0153B9249701				
7	Moving Contact Asm	0286B0843707	0153B6709703				
8	Lift Rod	0269A2174003	0188B9283001				
9	Adapter Gasket	None	0182V0937004				
10	Manhole Gasket	0173A9024008	0173A9024001				
11	Guide Block	006318391003	0384A0378002				
12	Contact Tip	006440364001	0124C3211002				

Table 12Q, FK 169 Oil Breaker –See Figure 12A on page 130

Ref. # Fig. 12A	Description	FK Breaker Type					
		FK-169-31500-0 3000 Amps	FK-169-31500-4 1600 Amps	FK-169-31500-4 2000 Amps	FK-169-31500-5 1600 Amps	FK-169-31500-5 2000 Amps	FK-169-47000-0 2000 Amps
	Breaker Instructions	GEK-39616			GEK-39680		GEK-39618
1	Brown Bushing	Contact GESS	0269A3691256	0269A3691AAP387	Contact GESS		0269A3691AAP379
	Grey Bushing	Contact GESS	0269A3691257	Contact GESS	0269A3691AAP362	0269A3691AAP381	0269A3691AAP380
2	Bushing Gasket	0182V0937003					
3	Interrupter	0214X0867711	0214X0867706		0214X0867717		0214X0867710
4	Oil Gage	0809B0181704			0263X0257701		0809B0181704
5	Drain Valve	0368A0827003			0123BB2600731		0368A0827003
6	Lift Rod Guide	0153B9249701			0153B9249704		0153B9249701
7	Moving Contact Asm	0153B6709703			0153B6709707		0153B6709104
8	Lift Rod	0188B9283001			0188B9283005		0188B9283004
9	Adapter Gasket	0182V0937004			None		0182V0937004
10	Manhole Gasket	0173A9024001					
11	Guide Block	0384A0378002					
12	Contact Tip	0124C3211002					

For more information contact your authorized GE sales representative or GE Distributor.

Table 12R, FK 169 Oil Breaker – See Figure 12A on page 130

Ref. # Fig. 12A	Description	FK Breaker Type					
		FK-169-47000-0 2500 Amps	FK-169-50000-0 1600 Amps	FK-169-50000-0 2000 Amps	FK-169-50000-0 2500 Amps	FK-169-50000-0 3000 Amps	FK-169-50000-1 2000 Amps
	Breaker Instructions	GEK-39616	GEK-39614			GEK-39680	
1	Brown Bushing	Contact GESS	0269A3691AAP379		Contact GESS		
	Grey Bushing	Contact GESS	0269A3691AAP380		Contact GESS	0269A3691AAP381	
2	Bushing Gasket	OI 82V0937003					
3	Interrupter	0214X0867710			0214X0867711	0214X0867718	
4	Oil Gage	0809B0181704	0809B0181707			0263X0257701	
5	Drain Valve	0368A0827003	0368A0827003			0123B2600731	
6	Lift Rod Guide	0153B9249701				0153B9249704	
7	Moving Contact Asm	0153B6709704				0153B6709707	
8	Lift Rod	0188B9283004				0188B9283005	
9	Adapter Gasket	0182V0937004				None	
10	Manhole Gasket	0173A9024001				0173A9024008	
11	Guide Block	0384A0378002					
12	Contact Tip	0124C3211002					

Table 12S, FK 169 Oil Breaker – See Figure 12A on page 130

Ref. # Fig. 12A	Description	FK Breaker Type					
		FK-169-50000-1 3000 Amps	FK-169-63000-0 2000 Amps	FK-169-63000-0 2500 Amps	FK-169-63000-0 3000 Amps	FK-169-63000-1 2000 Amps	FK-169-63000-1 3000 Amps
	Breaker Instructions	GEK-39680	GEK-39614			GEK-39680	
1	Brown Bushing	Contact GESS	0269A3691AAP379		Contact GESS		
	Grey Bushing	0269A3691AAP382	0269A3691AAP380		Contact GESS	0269A3691AAP381	
2	Bushing Gasket	0182V0937003					
3	Interrupter	0214X0867719	0214X0867710		0214X0867711	0214X0867718	
4	Oil Gage	0263X0257701	0809B0181707			0263X0257701	
5	Drain Valve	0123B2600731	0368A0827003			0123BB2600731	
6	Lift Rod Guide	0153B9249704	0153B9249701			0153B9249704	
7	Moving Contact Asm	0153B6709715	0153B6709704			0153B6709707	
8	Lift Rod	0188B9283005	0188B9283004			0188B9283005	
9	Adapter Gasket	None	0182V0937004			None	
10	Manhole Gasket	0173A9024008	0173A9024001			0173A9024008	
11	Guide Block	0384A0378002					
12	Contact Tip	0124C3211002					

Please Note: All models are not listed. Please contact GESS if the particular model you need does not appear in this catalog.



140 High Voltage Circuit Breaker Parts

Further Details

FK-121/145 Renewal Parts Bulletin
FK-115/138/161 Instructions and Parts Manual

GEF-6000
GEI-72650

Air Transmission Breakers (115 to 550 kV)

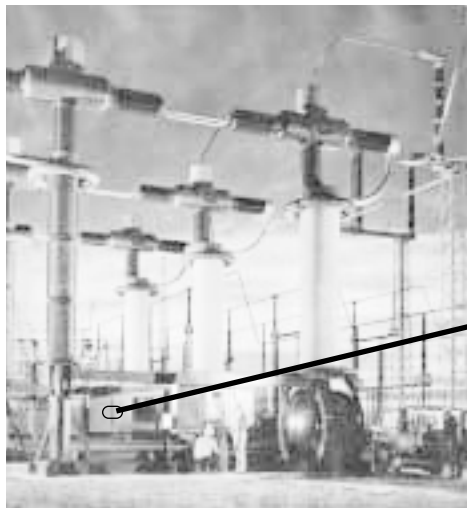
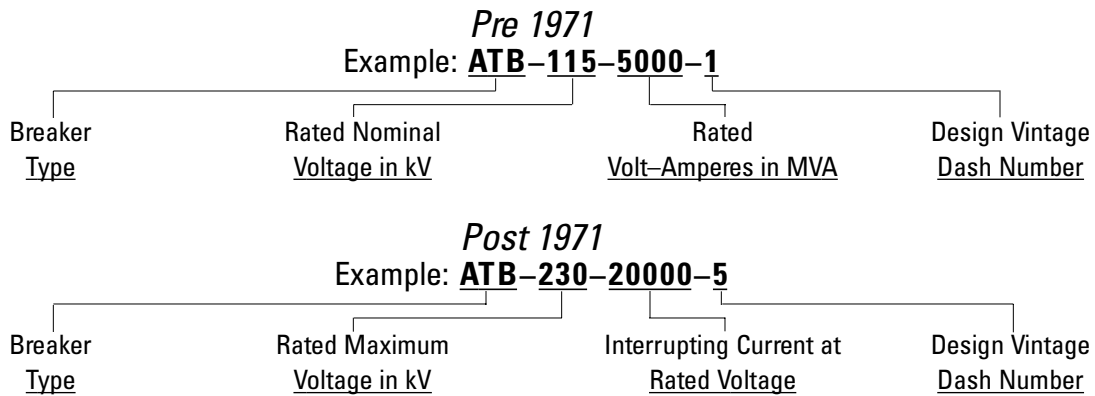
Included in this Section

Type ATB air-blast circuit breakers are designed for the the high speed interruption of faults and high speed reposing on modern transmission lines of high current, voltage, and short circuit rating. These breakers, manufactured from 1956 to 1983, range in voltage rating from 115 kV to 550 kV (nominal) inclusive. The breaker illustrated consists of of a three pole breaker unit and an operating mechanism.

ATB-115	ATB-121	ATB-138	ATB-145	ATB-161	ATB-230
ATB-242	ATB-345	ATB-362	ATB-500	ATB-550	

Equipment Identification and Nomenclature Guide

When ordering parts, or requesting information, please refer to the breaker model number² and serial number¹. Both numbers can be found stamped on the nameplate located inside the mechanism door, as pictured below.



GENERAL ELECTRIC

AIR BLAST CIRCUIT BREAKER

2 S/N 0139A8110-601		REQ. NO. 358-01885	TYPE ATB-230-20000-5	
DUTY CYCLE -0 + 0 SECONDS + CO + 15 SEC. = CO = 60 SEC = CO				
NOM. VOLTS 230,000	RATED CONT. AMP. 1600	NOM. MVA. 20,000		CT. 60
RATED VOLT RANGE FACTOR (KI) 1.1		INTERRUPTING TIME 2 CY.		
RATED MAX. VOLTS 242,000		RATED SYM. SHORT CIRCUIT AT RATED MAX. VOLT. 43,000 AMP.		
MAX. SYM. INT. AMP. 47,000 AT 220 KV		MAX. ASYM. INT. AMP. 61,100 AT 220KV		
CLOSING AND LATCHING ABILITY 76,000 AMP. IMPULSE WITHSTAND 900 KV				
TRIP COIL 0366A0845G9		VOLTS 125	DC AMP. 12.5	OPER. RANGE 70 - 140 VOLTS
CLOS. COIL 0366A0845G9		VOLTS 125	DC AMP. 23.4	OPER. RANGE 90 - 130 VOLTS
RESET COIL		VOLTS	AMP.	OPER. RANGE
OPERATING AIR PRESSURE NORMAL	510	P.S.I.G.	MIN. 400	P.S.I.G.
NOM SF ₆ GAS PRESSURE AT 70°F.	50	P.S.I.G.		
WT. OF GAS PER BREAKER	315	LBS.	WIRING DIAG. NO. 0832D0698, 124C3027	
COMPR. GOVERNOR SW. CLOS. PRESS.	1800	P.S.I.G.	OPEN PRESS.	2000
LOW PRESS. ALARM SW. CLOS. PRESS.	425	P.S.I.G.	OPEN PRESS.	435
LOW PRESS. LOCKOUT SW. CLOS. PRESS.	415	P.S.I.G.	OPEN PRESS.	405
NET WEIGHT OF TRIPLE POLE BREAKER		40,500	LB	YEAR MFG. 1965
CAUTION: BEFORE INSTALLING, OR OPERATING READ INST				
		GEI-88157	RENEWAL PARTS	GEI-97053, GEI-97063
PHILADELPHIA, PA.			MADE IN U.S.A.	
N.P. 103A3825				

Figure 13: Air Transmission Breaker Nameplate Data

High Voltage Circuit Breaker Parts



142 High Voltage Circuit Breaker Parts

Table 13A, ATB Breaker Parts

Description	ATB 115/138		ATB 230	
	-0 thru -4	-5 and -6	-0 thru -4	-5 and -6
Interrupter Operating Mechanism				
Arcing Blade	0155C8212702		0155C8212702	
Contact Blade	0155C8212701		0155C8212701	
Seal Kit	0275A7339701	0275A7340701	0275A7339701	0275A7340701
Interrupter Operating Mechanism Control Valve				
Upper Cap	0193A3080702	0124C3799701	0193A3080702	0124C3799701
Piston Ring	0103A3585001		0103A3585001	
Lower Cap	0193A3079701		0193A3079701	
Valve Seal Kit	0275A7097701		0275A7097701	
Resistor Switch (Standard)				
Cross Arm	0202A6733001		0202A6733001	
Insul Assembly	0149A6621701	0149A6621704	0149A6621701	0149A6621704
Latch Spring	0173A8166001		0173A8166001	N/A
Latch	0123B2213701		0123B2213701	N/A
Movable Contact	0158A8828701	0158A8828702	0158A8828701	N/A
Stationary Contact	0158A9473701	0158A9730001	0158A9473701	N/A
Resistor Switch (Pre-Inserted)				
Cross Arm	N/A		N/A	0202A6733001
Insul Assembly	N/A		N/A	0149A6621704
Movable Contact	N/A		N/A	0158A8830001
Stationary Contact	N/A		N/A	0158A9730001
Plunger	N/A		N/A	0193A3022701
CT Column Insulator				
Seal Kit	0285A5092701	0275A7301701	0285A5092701	0275A7301702
CT Column Air Line				
Seal Kit	0285A5084701	0275A7304701	0285A5084701	0275A7304701
Feed Block (3 cycle)				
Feed Block Seal Kit	incl in Airline Kit	0275A7326701	incl in Airline Kit	0275A7326701
CT Column Tank				
Seal Kit	0285A5079701	0275A7302701	0285A5079701	0275A7302702
Support Column Air Line				
Air Line Kit	N/A		0285A5084701	0275A7306701
Support Column Insulator				
Seal Kit	N/A		0285A5089701	0275A7303701
Indicator Air Line (2 cycle)				
Airline Kit	N/A	0275A7305701	N/A	0275A7307701
Lower Control Valve (2 cycle)				
Pilot Seal Kit	0275A7341701		0275A7341701	
Piston Seal Kit/Valve Body Seal Kit (-7)	N/A	0275A7329701	0275A7327701	
Crank block (2 cycle)				
Piston Seal Kit	N/A		0275A7328701	
Main Control Vale (3 cycle)				
Pilot Seal Kit	0275A7341702		0275A7341702	
Valve Seal Kit/Piston Seal Kit (-7)	0275A7325701		0275A7325701	
Humidity Indicator				
Seal Kit	N/A	0275A7087701	N/A	0275A7087701
Interrupter Relief Device				
Seal Kit	0275A7080701		0275A7080701	
Cast Body Cover	0149A6283001		0149A6283001	
Interrupter Tank				
Seal Kit	0285A5091701	0275A7300701	0285A5091701	0275A7300701
Stationary Contacts				
Primary Fingers	0269A9503702	0173A8511701	0269A9503702	0173A8511701
Probe	0149A6265701		0149A6265701	
Inner Spring	0173A8108001		0173A8108001	
Outer Spring	0173A8109001		0173A8109001	
Arcing Fingers	0269A9503701	0173A8510702	0269A9503701	0173A8510702
Tie Rods				
CT Tie Rod Assembly	0159A2876716	0159C2876710	0159A2876717	0159A2876712/3
SC Tie Rod Assembly	N/A	0159C2876711	0159A2876718	0159A2876714/5
CT Tie Rod Assembly (3000 A)	N/A		N/A	0159A2876706/7
SC Tie Rod Assembly (3000 A)	N/A		N/A	0159A2876708/9

N/A: Not Applicable.

For more information contact your authorized GE sales representative or GE Distributor.

Table 13B, ATB Breaker Parts

Description	ATB 230		ATB 345	
	-7	-0 thru -4	-5 and -6	-7
Interrupter Operating Mechanism				
Arcing Blade	0155C8212702		0155C8212702	
Contact Blade	0155C8212701		0155C8212701	
Seal Kit	0275A7340701	0275A7339701	0275A7340701	
Control Valve				
Upper Cap	0124C3799701	0193A3080702	0124C3799701	
Piston Ring	0103A3585001		0103A3585001	
Lower Cap	0193A3079701		0193A3079701	
Valve Seal Kit	0275A7097701		0275A7097701	
Resistor Switch (Standard)				
Cross Arm	0202A6733001		0202A6733001	
Insul Assembly	0149A6621704	0149A6621701	0149A6621704	
Latch Spring	0173A8166001		0173A8166001	
Latch	0123B2213701		0123B2213701	
Movable Contact	0158A8828701	0158A8828701	0158A8828702	
Stationary Contact	0158A9473001	0158A9473001	0158A9730001	
Resistor Switch (Pre-Inserted)				
Cross Arm	0202A6733001	N/A	0202A6733001	
Insul Assembly	0149A6621704	N/A	0149A6621704	
Movable Contact	0158A8830001	N/A	0158A8830001	
Stationary Contact	0158A9730001	N/A	0158A9730001	
Plunger	0193A3022701	N/A	0193A3022701	
CT Column Insulator				
Seal Kit	N/A	0275A7309701		N/A
CT Column Air Line				
Seal Kit	N/A	0275A7308701		N/A
CT Column Tank				
Seal Kit	0275A7315702	0275A7302703		0275A7315701
Support Column Air Line				
Airline Kit	N/A	0275A7306701		N/A
Support Column Insulator				
Seal Kit	N/A	0275A7310701		N/A
Indicator Air Line (2 cycle)				
Airline Kit	N/A	N/A	0275A7307701	N/A
Lower Control Valve (2 cycle)				
Pilot Seal Kit	0275A7341701	0275A7341701		
Piston Seal Kit	N/A	0275A7330701	N/A	
Valve Body Seal Kit (-7)	0275A7081701	N/A	0275A7081701	N/A
Crank block (2 cycle)				
Piston Seal Kit	N/A	0275A7328701		N/A
Main Control Vale (3 cycle)				
Pilot Seal Kit	N/A	0275A7341702	N/A	
Piston Seal Kit (-7)	0275A7325701	N/A		
Humidity Indicator				
Seal Kit	N/A	N/A	0275A7087701	
Interrupter Relieif Device				
Seal Kit	0275A7080701	0275A7080701		
Cast Body Cover	0149A6283001	0149A6283001		
Interrupter Tank				
Seal Kit	0275A7318701	0285A5091701	0275A7300701	0275A7318701
Stationary Contacts				
Primary Fingers	0173A8511701	0269A9503702	0173A8511701	
Probe	0149A6265701	0149A6265701		
Inner Spring	0173A8108001	0173A8108001		
Outer Spring	0173A8109001	0173A8109001		
Arcing Fingers	0173A8510702	0269A9503701	0173A8510702	
Tie Rods				
CT Tie Rod Assembly	N/A	0159A2876701/2		N/A
SC Tie Rod Assembly	N/A	0159A2876703/5		N/A
Upper CT Tie Rod Assembly	N/A	0159A2876706		N/A

N/A: Not Applicable.

**High Voltage
Circuit Breaker Parts**



144 High Voltage Circuit Breaker Parts

Table 13B, ATB Breaker Parts– (continued)

Description	ATB 230	ATB 345		
	– 7	– 0 thru 4	– 5 and 6	– 7
Muffler Repair Kit Repair Kit	0188B9300701	N/A		0188B9300701
Auxiliary Switch Actuator (2 cycle) Seal and Piston Kit	0184B7477701	N/A		0184B7477701
Seal Kit (only)	0184B7477702	N/A		0184B7477702
Regulator Repair Kit Piston and Disc Assembly	0203A1456701	N/A		0203A1456701
Regulator Seal Kit	0203A1456702	N/A		0203A1456702
Pilot Arm and Seat	0203A1456703	N/A		0203A1456703
Coil (125VDC)	0366A0890702 (–7 only)	N/A		0366A0890702 (–7)
Coil (125VDC)	0132A1211020 (–7Y only)	N/A		0132A1211020 (–7Y)
Coil (250VDC)	0366A0890701	N/A		0366A0890701
Repair Kit	0132A1211016 (–7Y only)	N/A		0132A1211016 (–7Y)
Vertical and Horizontal Air Column Dynamic Seal Kit (2 cycle)	0275A7313701	N/A		N/A
Dynamic Seal Kit (3 cycle)	0275A7316701	N/A		0275A7311701
Static Seal Kit (2 cycle)	0275A7314701	N/A		N/A
Static Seal Kit (3 cycle)	0275A7317701	N/A		0275A7312701
Air Filter O–Ring	0202A6429214 and 0202A6429231	N/A		0202A6429214 and 0202A6429231
Element	0132A1009007	N/A		0132A1009007
Air Storage Tank Seal Kit	0275A7338701	N/A		0275A7338701
SF6 Dryer Assembly Dryer Assembly	0202A8086701	N/A		0202A8086701

N/A: Not Applicable.

Table 13C, ATB Breaker Parts

Description	ATB 500			
	-0 thru -2	-1	-2	-3
Interrupter				
Tank Seal Kit	0275A7331701			
Rupture Disk Assembly				
Rupture Disc	0132A1246002		0123B2388701	
O-Ring	0202A6427344		0202A6429340	
Interrupter Mechanism				
Arcing Blade	0123B2879702			
Contact Blade	0117B3608001			
Piston Ring	0173A9735004			
Pin	0103A2131043			
Seal Kit	0275A7319701			
Interrupter Contact Assembly				
Contact	0104C7315702			
Contact	0123B2386001			
Contact	0123B2388701			
Probe Assembly	0117B3604701			
Control Valve				
VA Switch	6412114041		6412114042	
Ring Gasket	0193A4868001			
Heater 115V 75W (-2 and -3)	006371077001			
Heater 230V 75W (-2 and -3)	006371077002			
Thermostat (-2 and -3)	0064430882001			
Seal Kit	0275A7337701			
Resistor Switch				
Probe	0123B2969701			
Contact	0202A6463703			
Seal Kit	0275A7336701			
CT Column				
Seal Kit	0275A7322701		0275A7333701	
Support Column				
Seal Kit	0275A7323701		0275A733401	
Control House				
Valve Kit (2400 PSI)	0195X0700006		0191B3623704	
Valve Kit (3/4 inch)	0132A1038025			
Valve Kit (1 inch)	0132A1038062			
Relief Valve Kit	0191B3623704			
Safety Valve	0422A0125007		0132A1595003	
Seal Kit	0275A7335701			
Humidity Indicator				
Seal Kit	0275A70877010			
Electric Regulator				
Coil 125VDC	0132A1211020		0366A0890701	
Coil	0366A0890702			
Pilot Valve	0132A1211022			
Body Insert	0132A1211023			
Regulator Repair Kit	0132A1211016			
Piston Assembly	N/A		0203A1456701	
Armature and Seat	N/A		0203A1456703	
Gasket Kit	N/A		0203A1456702	
Lower Mechanism				
Piston Ring	0132A1222005			
Seal Kit	0275A7320701			
Dashpot Oil	0132A1341008			
Interrupter Bushing Assembly				
Conductor Plug O-Ring	0202A6429327			
Capacitor Cap O-Ring	0202A6429336			

N/A: Not Applicable.

High Voltage
Circuit Breaker Parts



146 High Voltage Circuit Breaker Parts

Table 13C, ATB Breaker Parts – (continued)

Description	ATB 500			
	-0 thru -2	-1	-2	-3
Tie Rods				
Tie Rod Assembly		0159C2876719		N/A
Upper CT Tie Rod Assembly		0159C2876720		N/A
Tie Rod Assembly		0159C2876721		N/A
Thermal Relief Valve				
Repair Kit		N/A		0132A1008033
Drain Valve				
Repair Kit		N/A		0195X0700006
Check Valve				
Repair Kit		N/A		0132A1486007
Main Air System Filter				
O-Ring		N/A		0202A6429214
O-Ring		N/A		0202A6429231
Element		N/A		0132A1009007
Air Storage Tank				
Seal Kit		0275A7324701		0275A7338701
SF6 Dryer Assembly				
Dryer Assembly		N/A		0153B6661701
Gas Dryer				
Dryer		N/A		0202A8086001

N/A: Not Applicable.

Further Details

ATB Breaker Seal Kits

BPO 91-11