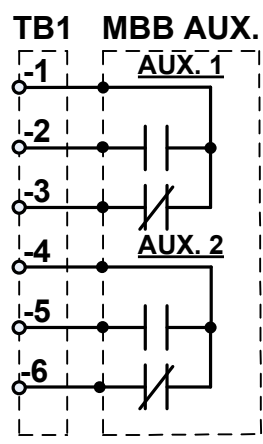
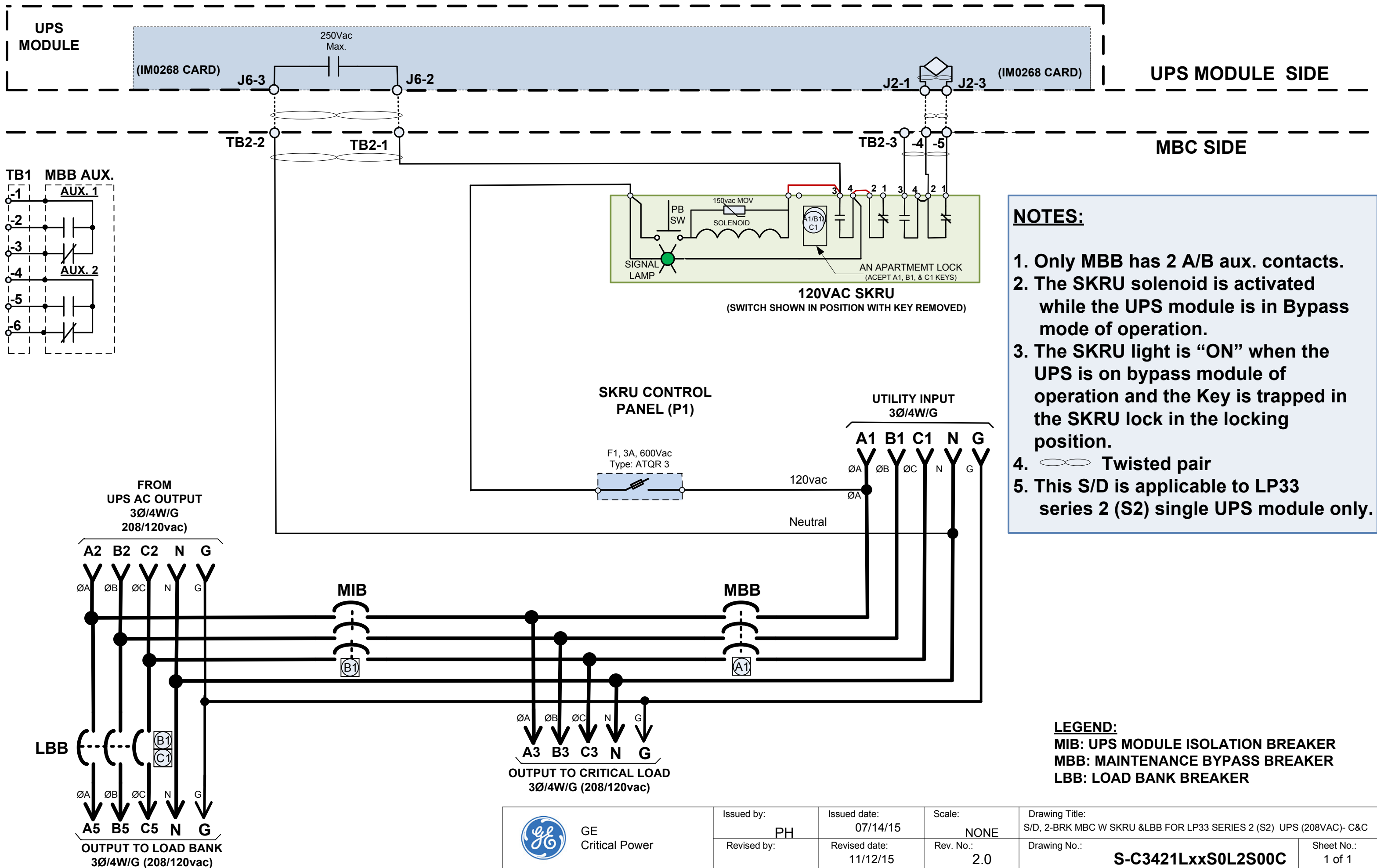


- NOTES:**
1. Only MBB has 2 A/B aux. contacts.
 2. The SKRU solenoid is activated while the UPS module is in Bypass mode of operation.
 3. The SKRU light is "ON" when the UPS is on bypass module of operation and the Key is trapped in the SKRU lock in the locking position.
 4. Twisted pair
 5. This S/D is applicable to LP33 series 2 (S2) single UPS module only.

LEGEND:
MIB: UPS MODULE ISOLATION BREAKER
MBB: MAINTENANCE BYPASS BREAKER

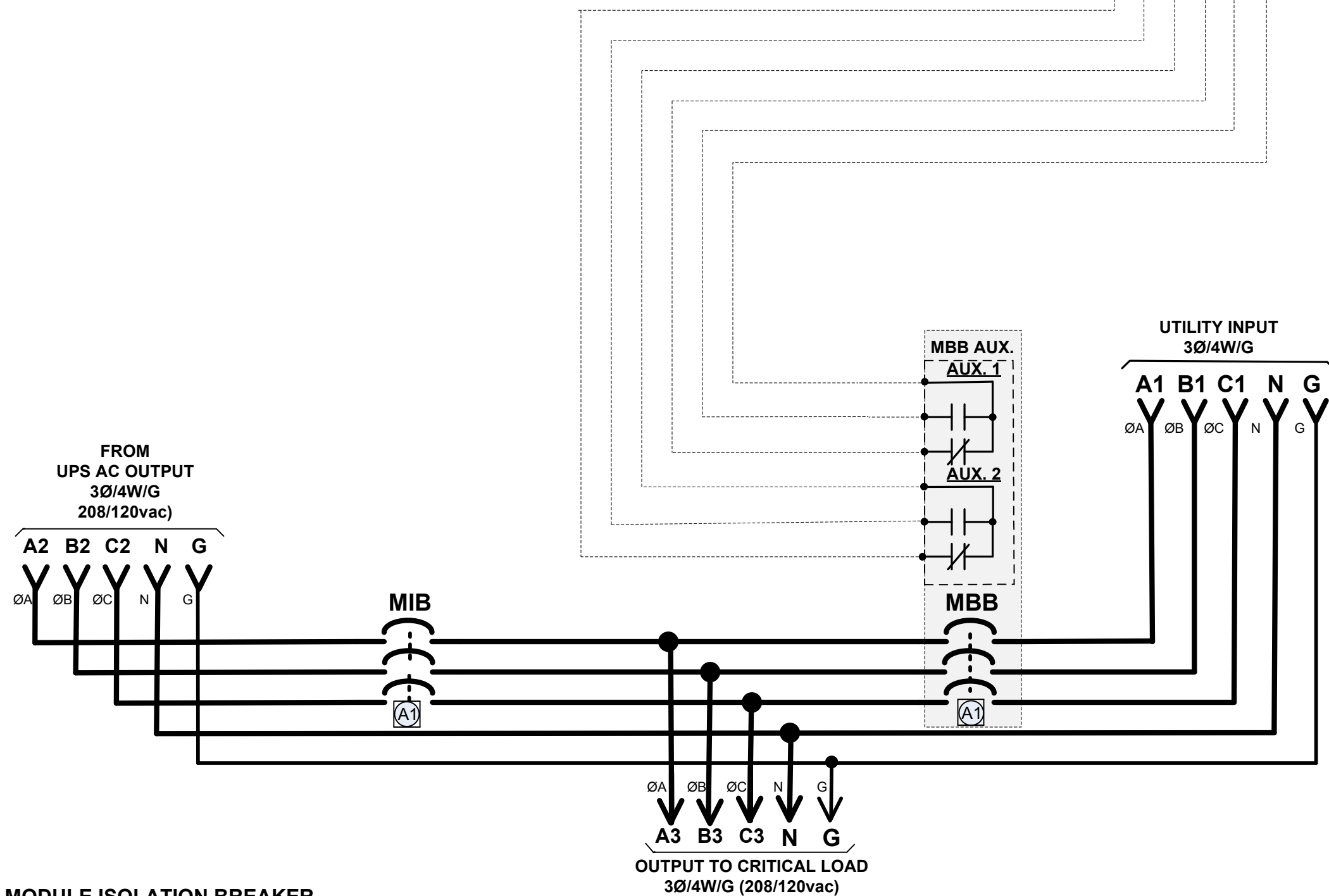
	Issued by:	Issued date:	Scale:	Drawing Title:
	PH	07/14/15	NONE	S/D, 2-BRK MBC W SKRU FOR LP33 SERIES 2 (S2) UPS (208VAC)- C&C
	Revised by:	Revised date:	Rev. No.:	Drawing No.:
		11/12/15	2.0	S-C3421LxxS002S00C
				Sheet No.: 1 of 1



- NOTES:**
1. Only MBB has 2 A/B aux. contacts.
 2. The SKRU solenoid is activated while the UPS module is in Bypass mode of operation.
 3. The SKRU light is "ON" when the UPS is on bypass module of operation and the Key is trapped in the SKRU lock in the locking position.
 4. Twisted pair
 5. This S/D is applicable to LP33 series 2 (S2) single UPS module only.

LEGEND:
MIB: UPS MODULE ISOLATION BREAKER
MBB: MAINTENANCE BYPASS BREAKER
LBB: LOAD BANK BREAKER

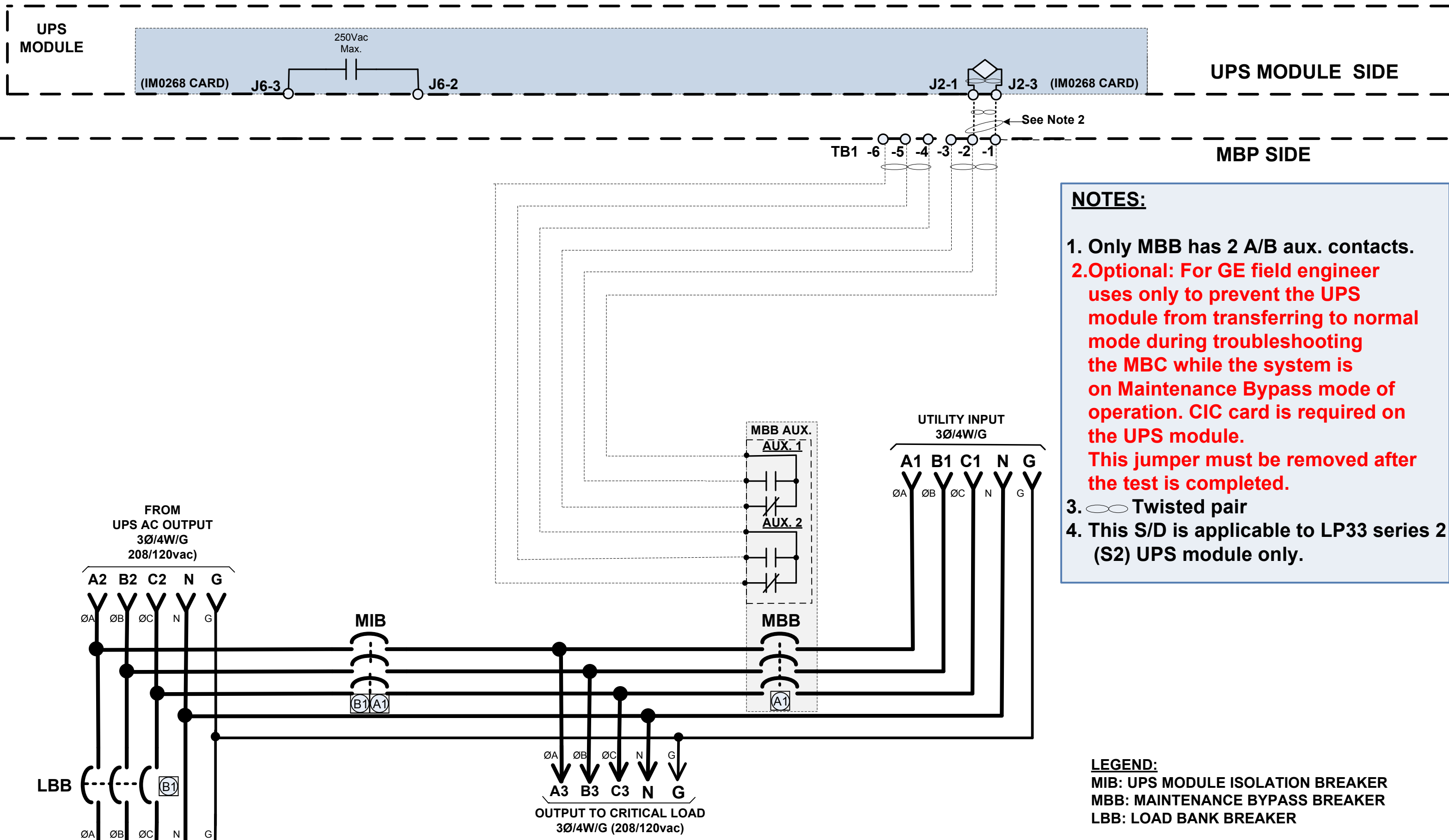
GE Critical Power	Issued by:	Issued date:	Scale:	Drawing Title:
	PH	07/14/15	NONE	S/D, 2-BRK MBC W SKRU & LBB FOR LP33 SERIES 2 (S2) UPS (208VAC)- C&C
	Revised by:	Revised date:	Rev. No.:	Drawing No.:
		11/12/15	2.0	S-C3421LxxS0L2S00C
				Sheet No.:
				1 of 1



- NOTES:**
1. Only MBB has 2 A/B aux. contacts.
 2. **Optional: For GE field engineer uses only to prevent the UPS module from transferring to normal mode during troubleshooting the MBC while the system is on Maintenance Bypass mode of operation. CIC card is required on the UPS module. This jumper must be removed after the test is completed.**
 3. Twisted pair
 4. This S/D is applicable to LP33 series 2 (S2) UPS module only.

LEGEND:
MIB: UPS MODULE ISOLATION BREAKER
MBB: MAINTENANCE BYPASS BREAKER
UIB: UPS INPUT BREAKER

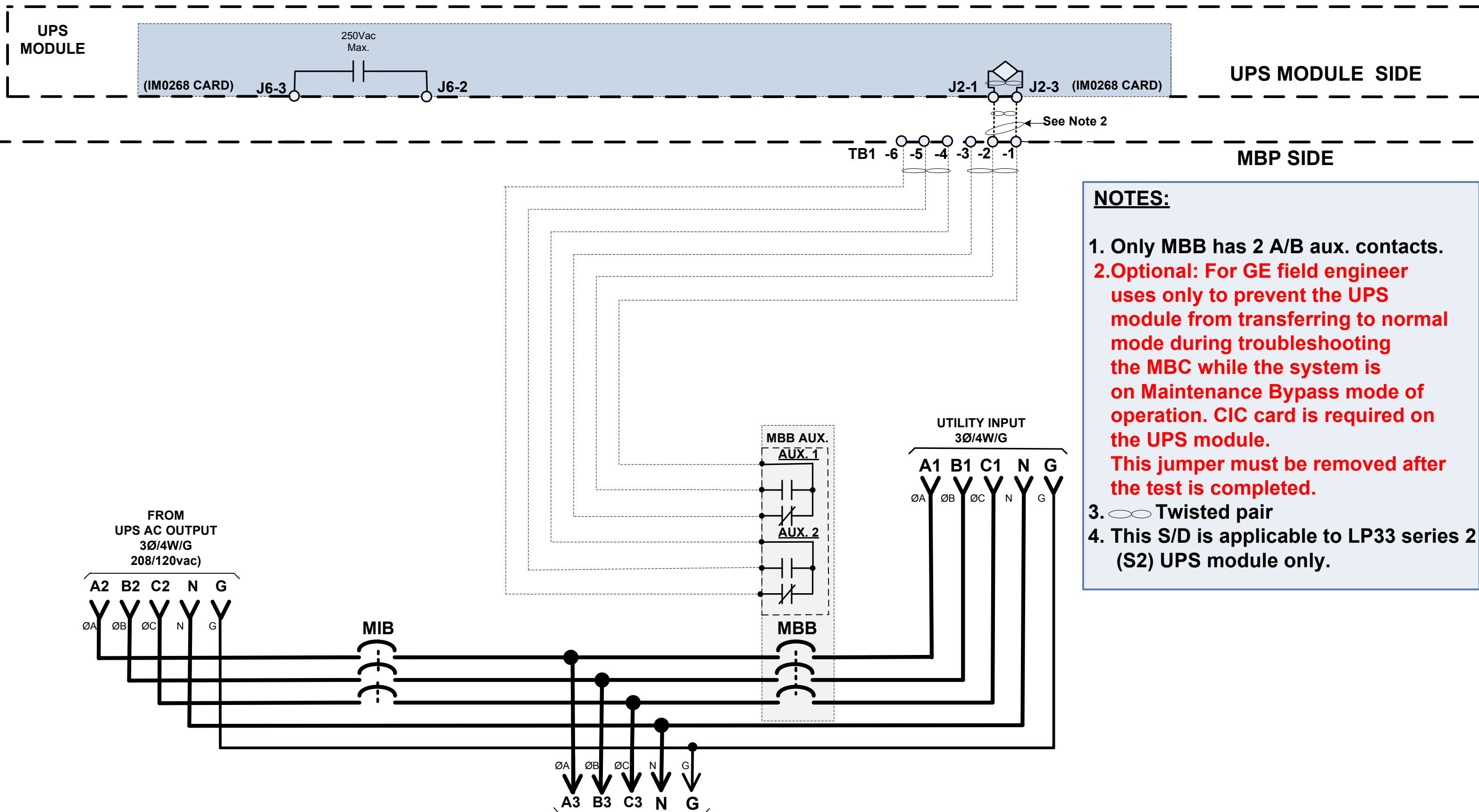
GE Critical Power	Issued by:	Issued date:	Scale:	Drawing Title:
	PH	07/14/15	NONE	S/D, 2-BRK MBC W KIRK KEY FOR LP33 SERIES 2 (S2) UPS (208VAC)- C&C
	Revised by:	Revised date:	Rev. No.:	Drawing No.:
			1.0	S-C3421LxxS002K00C
				Sheet No.: 1 of 1



- NOTES:**
1. Only MBB has 2 A/B aux. contacts.
 2. **Optional: For GE field engineer uses only to prevent the UPS module from transferring to normal mode during troubleshooting the MBC while the system is on Maintenance Bypass mode of operation. CIC card is required on the UPS module. This jumper must be removed after the test is completed.**
 3. Twisted pair
 4. This S/D is applicable to LP33 series 2 (S2) UPS module only.

LEGEND:
MIB: UPS MODULE ISOLATION BREAKER
MBB: MAINTENANCE BYPASS BREAKER
LBB: LOAD BANK BREAKER

GE Critical Power	Issued by:	Issued date:	Scale:	Drawing Title:
	PH	07/14/15	NONE	S/D, 2-BRK MBP W KK & LBB FOR LP33 SERIES 2 (S2) UPS (208VAC)- C&C
	Revised by:	Revised date:	Rev. No.:	Drawing No.:
			1.0	S-C3421LxxS0L2K00C
				Sheet No.: 1 of 1



- NOTES:**
1. Only MBB has 2 A/B aux. contacts.
 2. **Optional: For GE field engineer uses only to prevent the UPS module from transferring to normal mode during troubleshooting the MBC while the system is on Maintenance Bypass mode of operation. CIC card is required on the UPS module. This jumper must be removed after the test is completed.**
 3. Twisted pair
 4. This S/D is applicable to LP33 series 2 (S2) UPS module only.

LEGEND:
 MIB: UPS MODULE ISOLATION BREAKER
 MBB: MAINTENANCE BYPASS BREAKER
 UIB: UPS INPUT BREAKER

GE Critical Power	Issued by:	Issued date:	Scale:	Drawing Title:
	PH	07/14/15	NONE	S/D, 2-BRK MBC W/O INTERLOCKED FOR LP33 SERIES 2 (S2) UPS (208VAC)- C&C
	Revised by:	Revised date:	Rev. No.:	Drawing No.:
			1.0	S-C3421LxxS002000C
				Sheet No.: 1 of 1