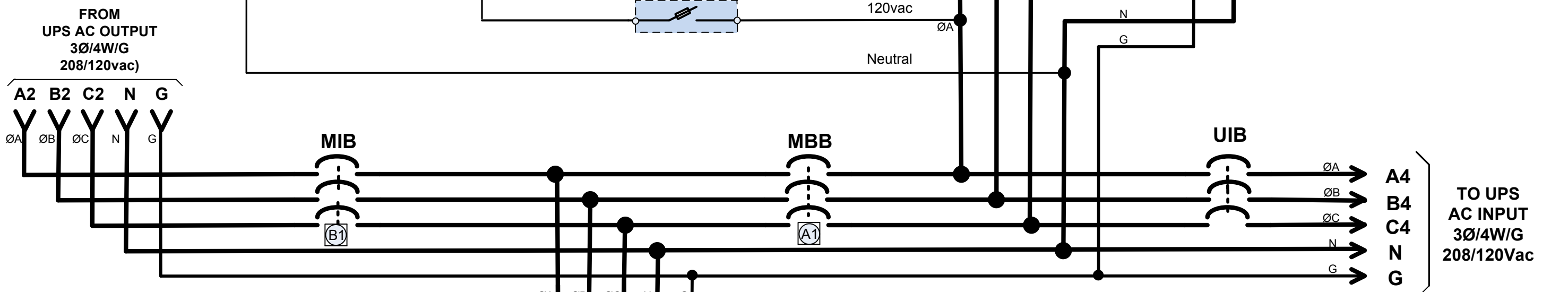
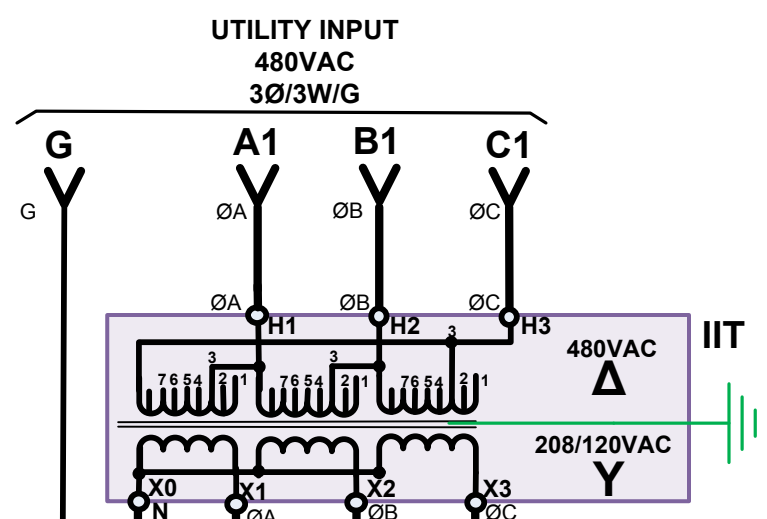
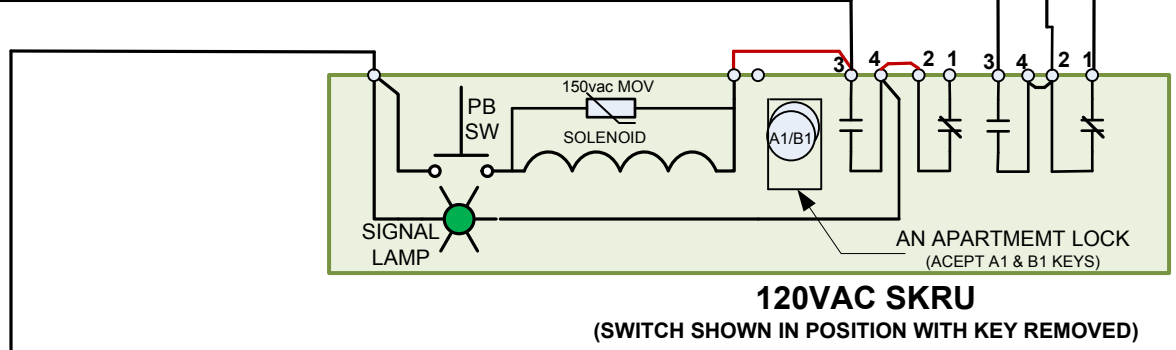
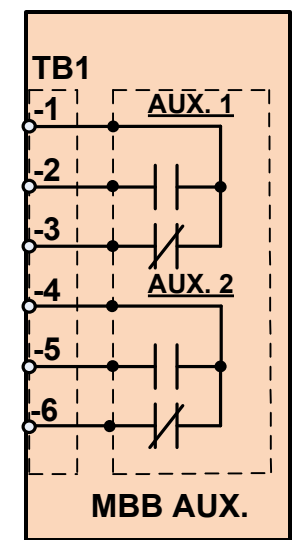


- NOTES:**
1. Only MBB has 2 A/B aux. contacts.
 2. The SKRU solenoid is activated while the UPS module is in Bypass mode of operation.
 3. The SKRU light is "ON" when the UPS is on bypass module of operation and the Key is trapped in the SKRU lock in the locking position.
 4. Twisted pair
 5. This S/D is applicable to 4x2 combo, LP33 series 2 (S2) single UPS module only.

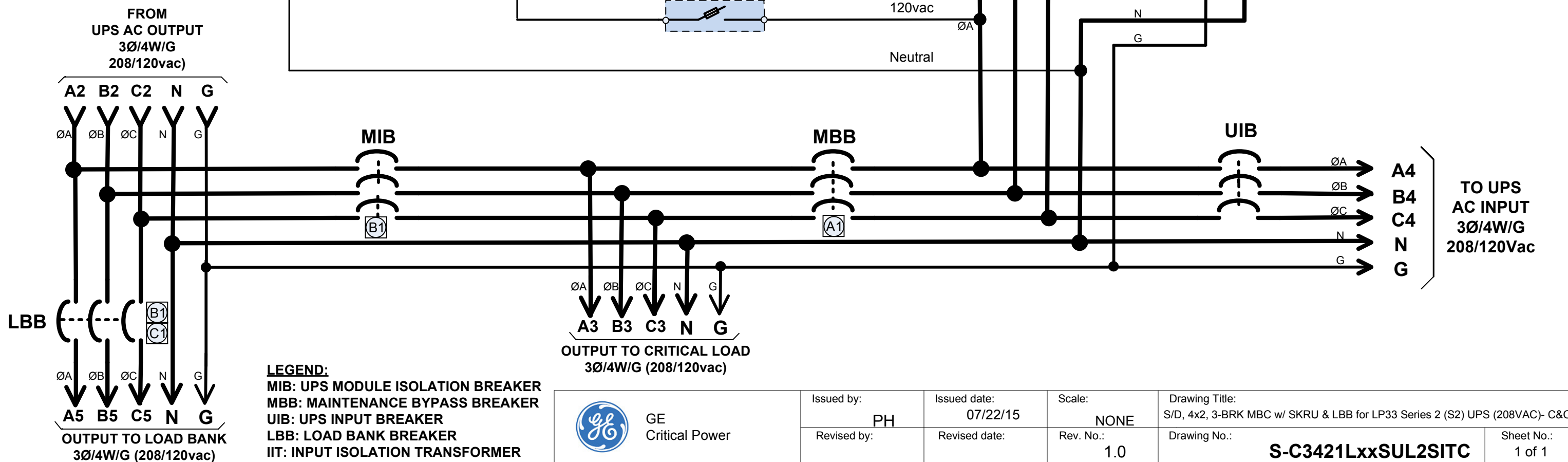
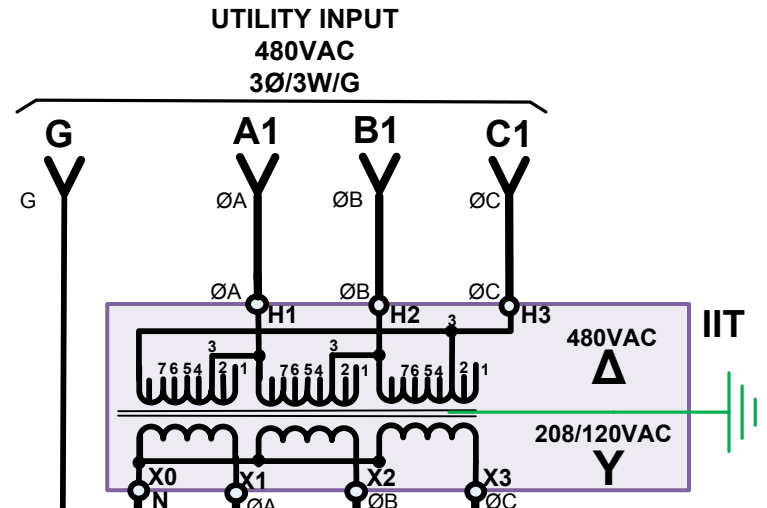
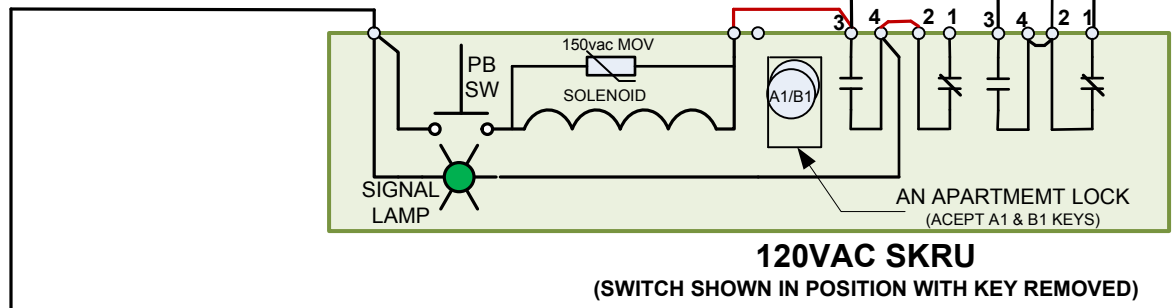
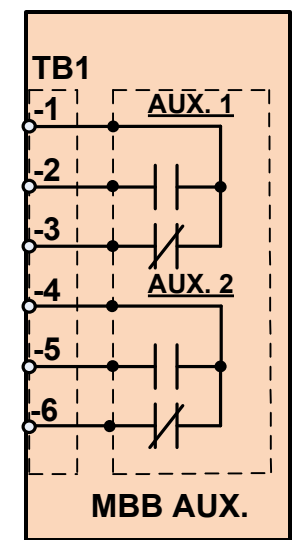


LEGEND:
 MIB: UPS MODULE ISOLATION BREAKER
 MBB: MAINTENANCE BYPASS BREAKER
 UIB: UPS INPUT BREAKER
 IIT: INPUT ISOLATION TRANSFORMER

	Issued by:	PH	Issued date:	07/22/15	Scale:	NONE	Drawing Title:	S/D, 4x2, 3-BRK MBC W SKRU FOR LP33 SERIES 2 (S2) UPS (208VAC)- C&C	
	Revised by:		Revised date:		Rev. No.:	1.0	Drawing No.:	S-C3421LxxSU02SITC	Sheet No.:

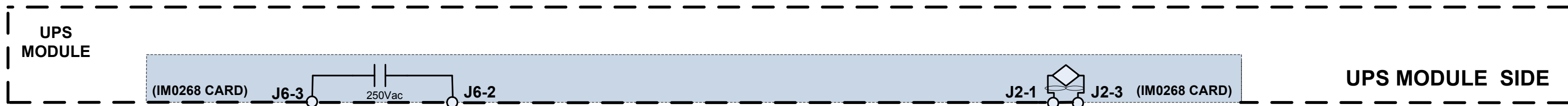


- NOTES:**
1. Only MBB has 2 A/B aux. contacts.
 2. The SKRU solenoid is activated while the UPS module is in Bypass mode of operation.
 3. The SKRU light is "ON" when the UPS is on bypass module of operation and the Key is trapped in the SKRU lock in the locking position.
 4. Twisted pair
 5. This S/D is applicable to 4x2 combo, LP33 series 2 (S2) single UPS module only.

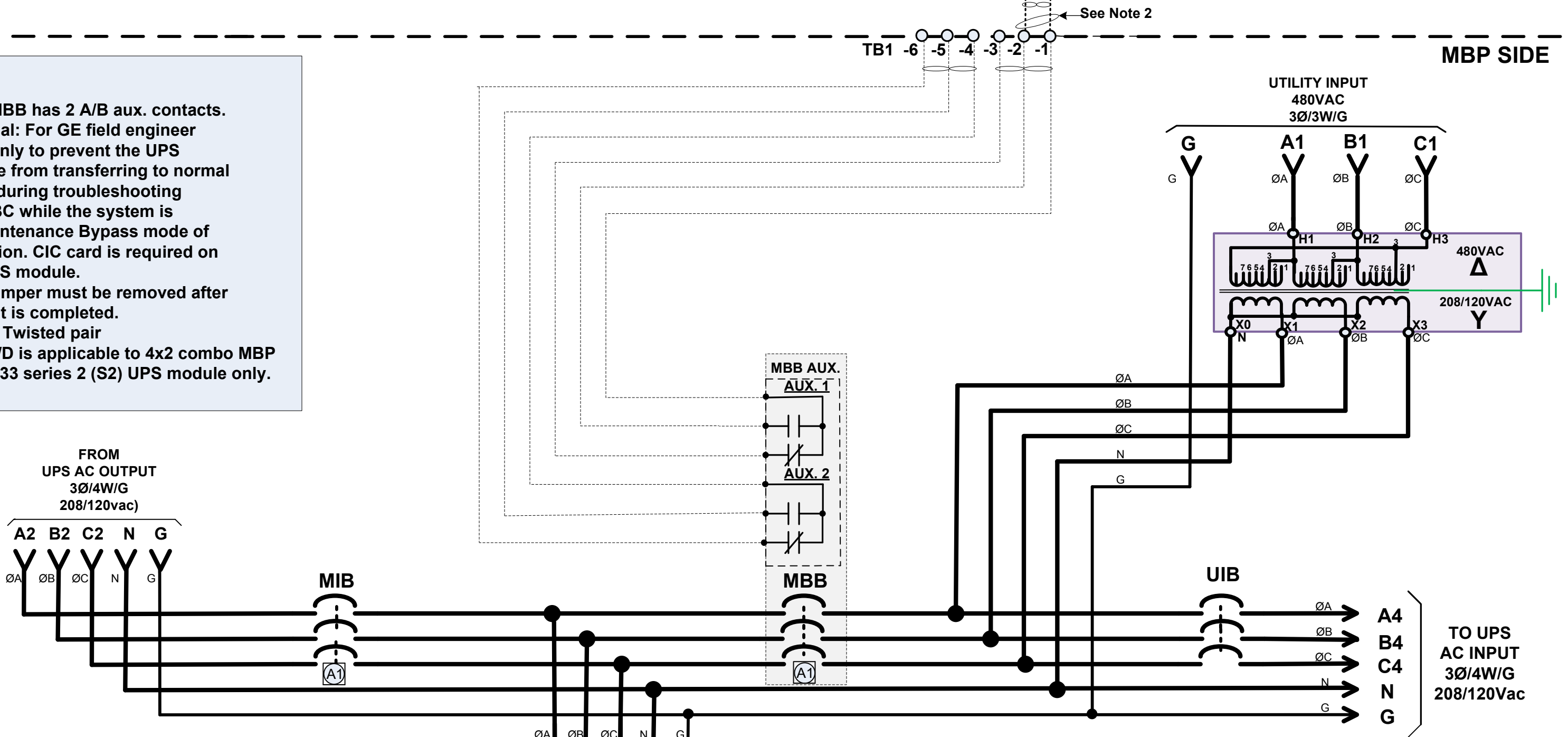


LEGEND:
 MIB: UPS MODULE ISOLATION BREAKER
 MBB: MAINTENANCE BYPASS BREAKER
 UIB: UPS INPUT BREAKER
 LBB: LOAD BANK BREAKER
 IIT: INPUT ISOLATION TRANSFORMER

	Issued by:	PH	Issued date:	07/22/15	Scale:	NONE	Drawing Title:	S/D, 4x2, 3-BRK MBC w/ SKRU & LBB for LP33 Series 2 (S2) UPS (208VAC)- C&C	
	Revised by:		Revised date:		Rev. No.:	1.0	Drawing No.:	S-C3421LxxSUL2SITC	
								Sheet No.:	1 of 1

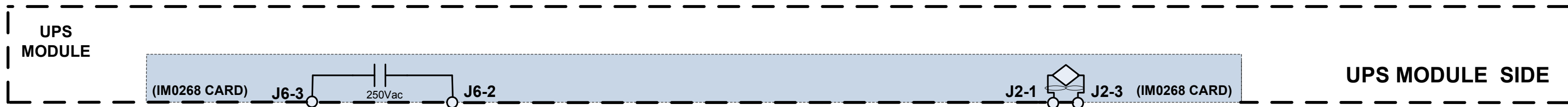


- NOTES:**
1. Only MBB has 2 A/B aux. contacts.
 2. Optional: For GE field engineer uses only to prevent the UPS module from transferring to normal mode during troubleshooting the MBC while the system is on Maintenance Bypass mode of operation. CIC card is required on the UPS module. This jumper must be removed after the test is completed.
 3. Twisted pair
 4. This S/D is applicable to 4x2 combo MBP for LP33 series 2 (S2) UPS module only.



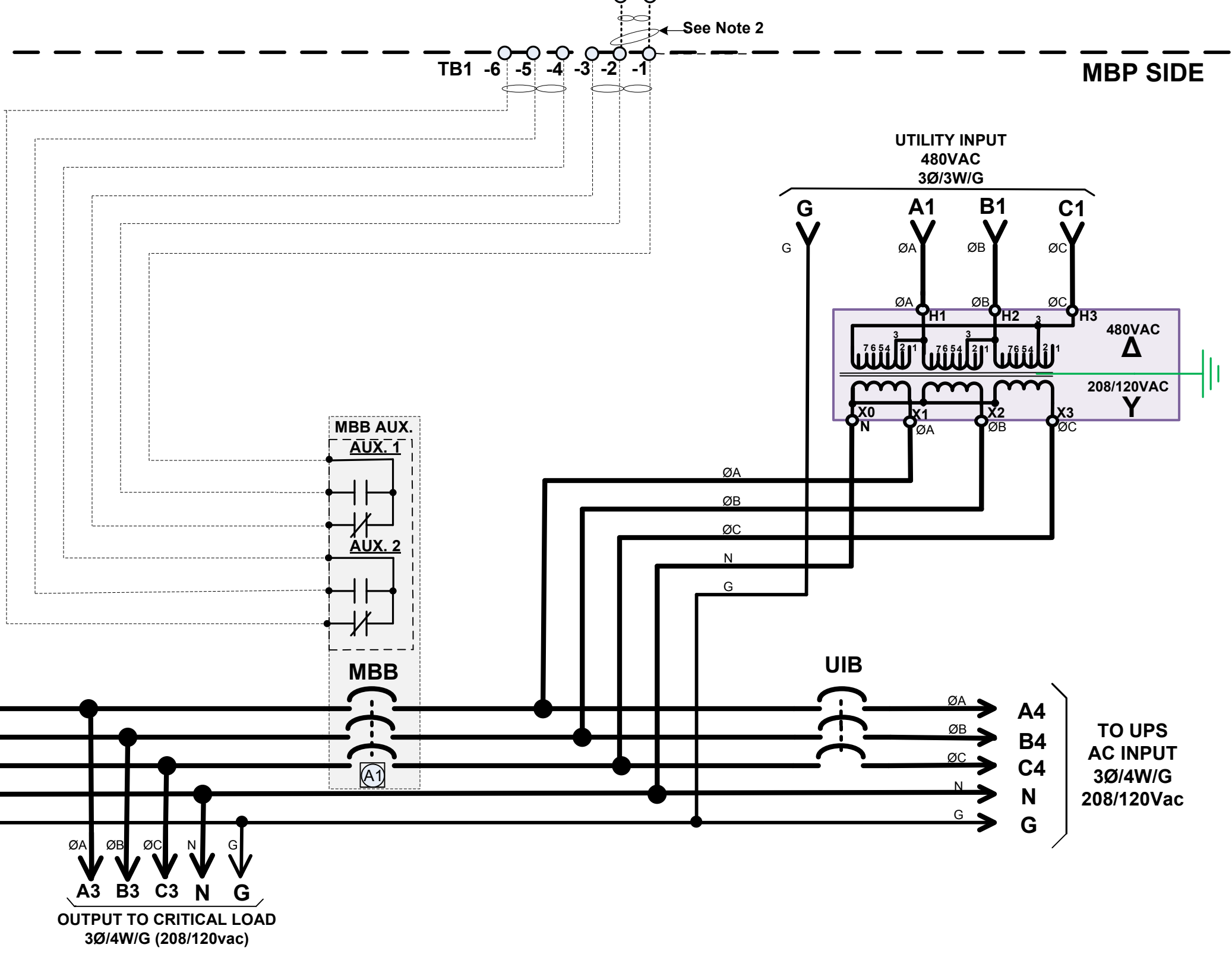
LEGEND:
 MIB: UPS MODULE ISOLATION BREAKER
 MBB: MAINTENANCE BYPASS BREAKER
 UIB: UPS INPUT BREAKER
 IIT: INPUT ISOLATION TRANSFORMER

	Issued by:	Issued date:	Scale:	Drawing Title:
	PH	07/22/15	NONE	S/D, 4x2 3-BRK MBC W KIRK KEY FOR LP33 SERIES 2 (S2) UPS (208VAC)- C&C
	Revised by:	Revised date:	Rev. No.:	Drawing No.:
			1.0	S-C3421LxxSU02KITC
				Sheet No.: 1 of 1



NOTES:

1. Only MBB has 2 A/B aux. contacts.
2. Optional: For GE field engineer uses only to prevent the UPS module from transferring to normal mode during troubleshooting the MBC while the system is on Maintenance Bypass mode of operation. CIC card is required on the UPS module. This jumper must be removed after the test is completed.
3. Twisted pair
4. This S/D is applicable to 4x2 Combo MBC for LP33 series 2 (S2) UPS module only.



LEGEND:
MIB: UPS MODULE ISOLATION BREAKER
MBB: MAINTENANCE BYPASS BREAKER
UIB: UPS INPUT BREAKER
LBB: LOAD BANK BREAKER
IIT: INPUT ISOLATION TRANSFORMER

GE Critical Power	Issued by:	Issued date:	Scale:	Drawing Title:
	PH	07/22/15	NONE	S/D, 4x2 3-BRK MBP W KK & LBB FOR LP33 SERIES 2 (S2) UPS (208VAC)- C&C
	Revised by:	Revised date:	Rev. No.:	Drawing No.:
			1.0	S-C3421LxxSUL2KITC
				Sheet No.: 1 of 1